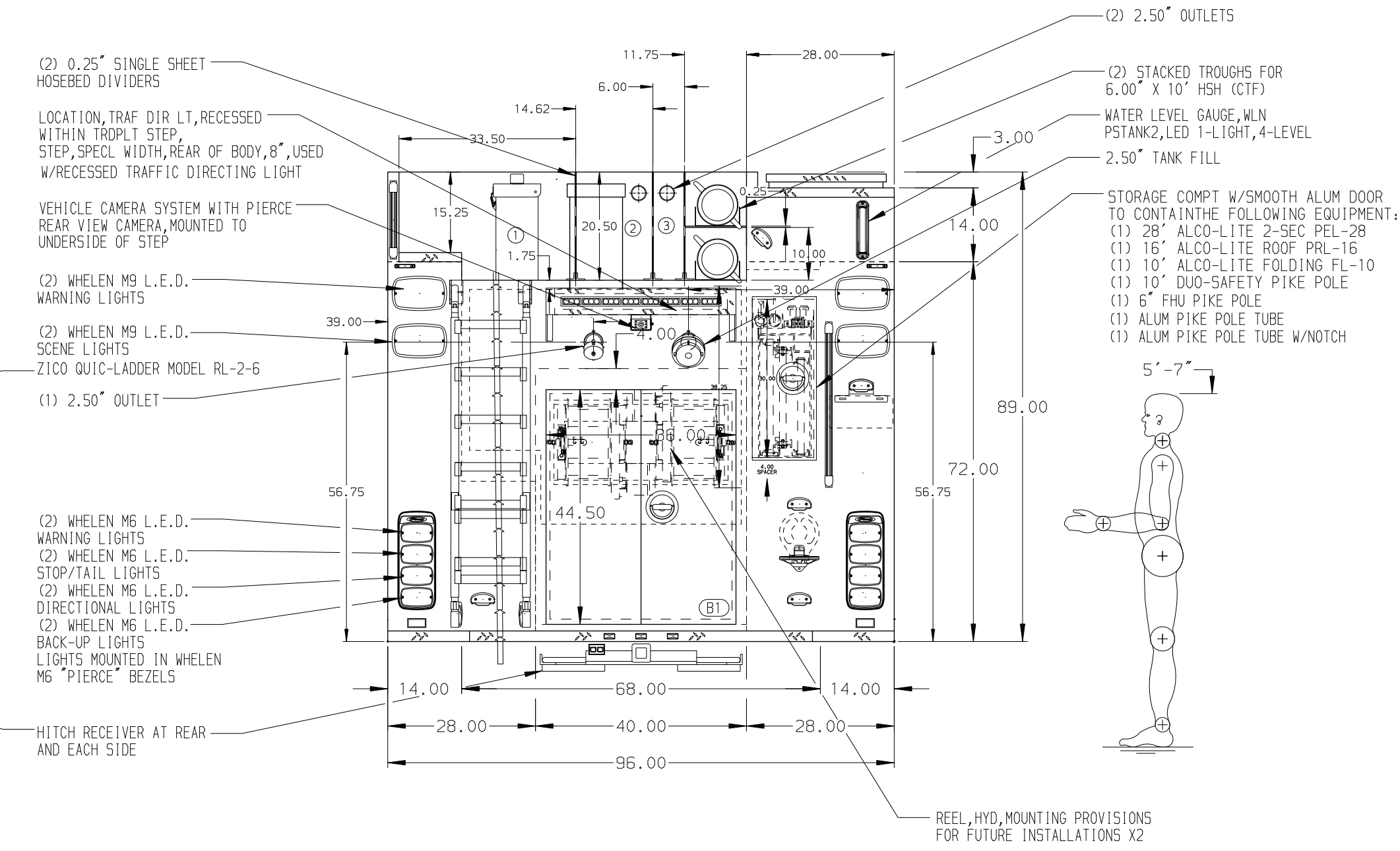
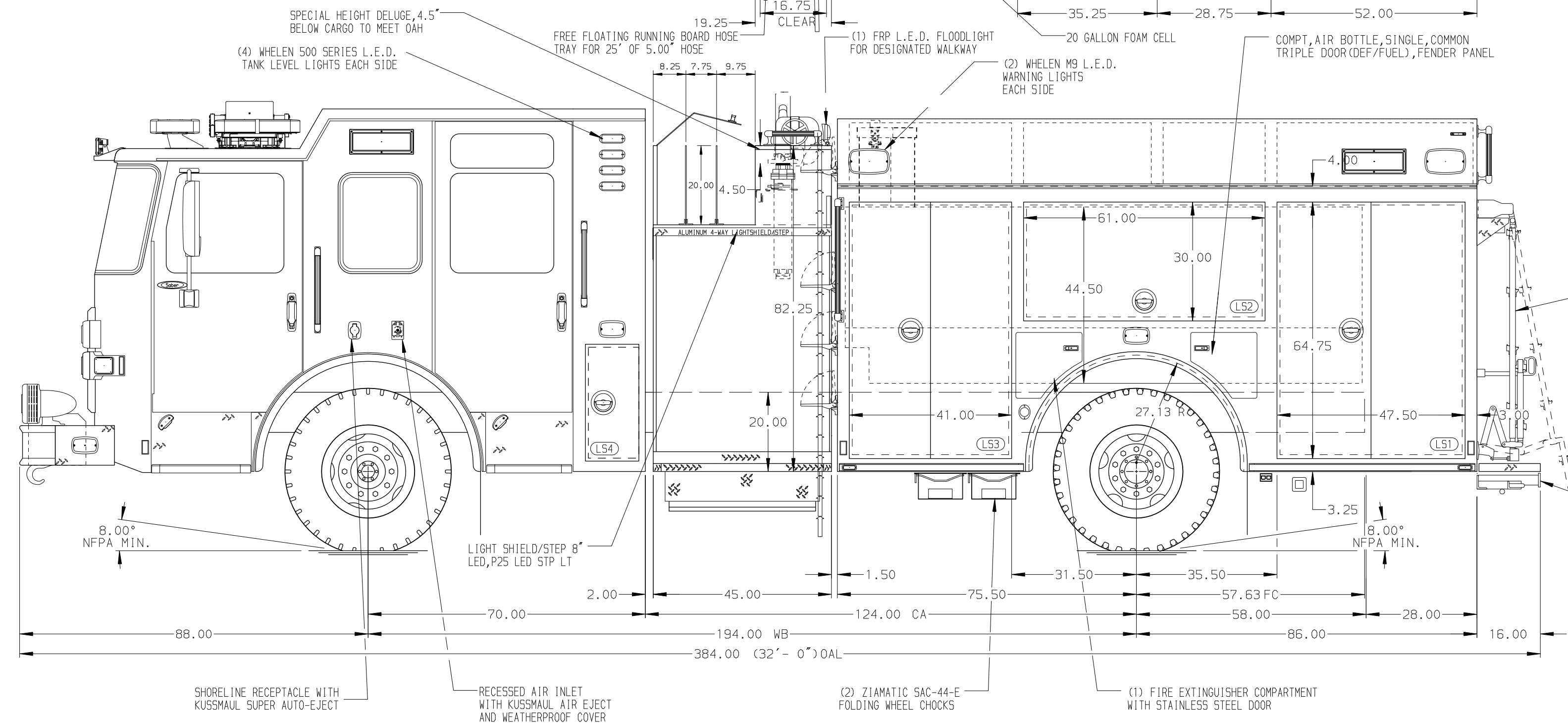


- HOSEBED CAPACITIES
- ① 1000' OF 4.00" D.J. POLY HOSE
  - ② 300' OF 3.00" D.J. POLY HOSE
  - ③ 300' OF 1.75" D.J. POLY HOSE



STAINLESS STEEL BODY      TARGET O.A.L. 396.00"      MAXIMUM O.A.H. 114.00"

NOTE  
DIMENSIONS SHOWN ARE APPROXIMATE AND ARE SUBJECT TO MINOR DEVIATIONS AS MAY OCCUR OR BE NECESSARY IN CONSTRUCTION. MINOR DETAILS NOT SHOWN.

REV	DATE	BY	CH	SABER FR
17SEP20	RHU	GSC		
02SEP20	RHU	GSC		
01JUL20	KLE	EGO		

		JOB NO.	35427
		SCALE	1:24
TITLE 1500-D-1000 WATER/20 FOAM, 161" BODY, SIDE CONTROL CROSSSLAYS, DELUGE, LADDER STORAGE COMPARTMENT, FOAM  FOR CANDIA FIRE DEPARTMENT CANDIA, NEW HAMPSHIRE	DRAWN BY	KLE	23JUN20
	CHECKED BY	EGO	25JUN20
DWG NO.	35427AD		SHEET NO.
		D	1 OF 1