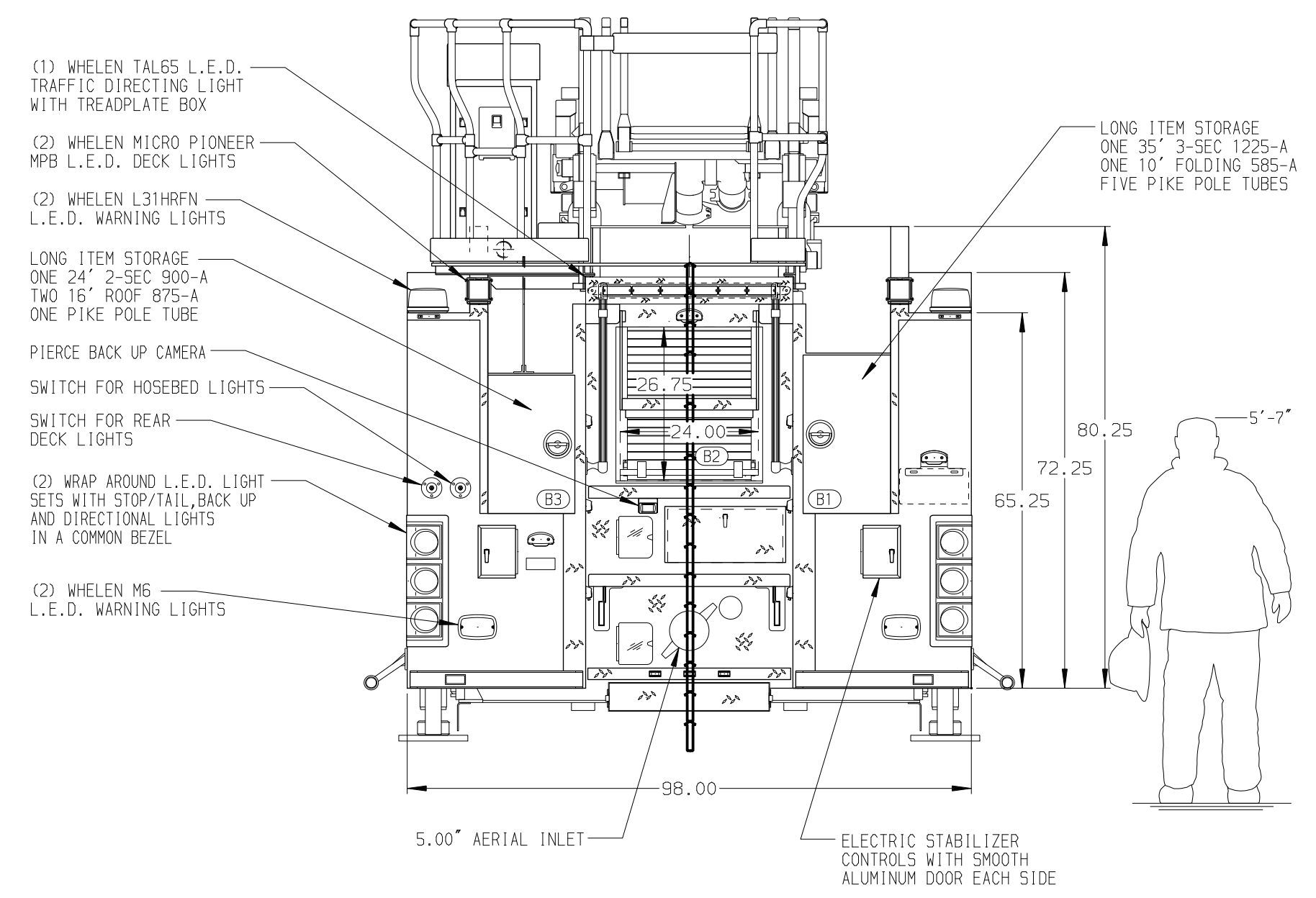
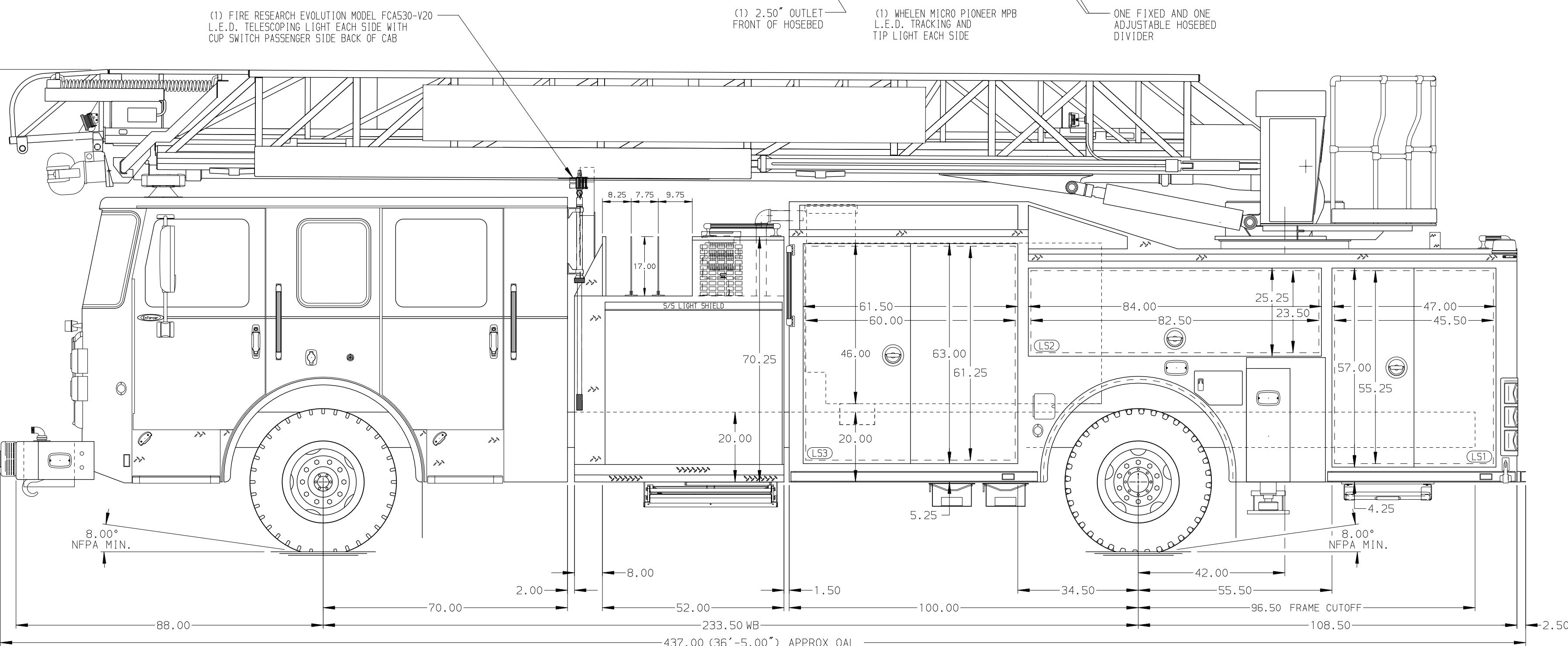


BODY	WATER TANK
75' HAL Aluminum Body	480 Gallon Poly Water Tank
COMPT, LEFT SIDE FRONT	Foam System
Full Height Lap Forward	Husky 3 Single Agent Foam System
COMPT, LEFT SIDE REAR	Foam Cell
Full Height Lap Rearward	20 Gallon Foam Cell, Reduced Water
COMPT, RIGHT SIDE FRONT	
Full Height Lap Forward	
COMPT, RIGHT SIDE REAR	
Full Height Lap Rearward	



<b>CHASSIS</b> Enforcer Chassis <b>ENGINE</b> 450 HP Cummins L9 Engine	<b>CAB</b> 7000 Enforcer Cab <b>BUMPER</b> 19\"	<b>AXLE, FRONT, CUSTOM</b> 20,000 Lb Dana Axle <b>AXLE, REAR</b> 33,500 Lb Meritor Axle	<b>TRANSMISSION</b> Allison 5th Gen, 3000 EV5 P	<b>PUMPHOUSE</b> 52\"	<b>CROSSLAYS, 1.50\"</b> (2) 1.50\" Standard Capacity <b>CROSSLAYS, 2.50\"</b> (1) 2.50\" Standard Capacity	<b>SPEEDLAYS</b> Speedlays Not Required <b>GENERATOR</b> Generator Not Required
---	--	--	--	--------------------------	--	--

		JOB NO.	35424
		SCALE	DATE
<b>TITLE</b> 75 AERIAL LADDER & BODY ASSEMBLY		DRAWN BY	TKA
<b>FOR</b> BENTON COUNTY FIRE PROTECTION DISTRICT #1 KENNEWICK, WASHINGTON		CHECKED BY	CRI
<b>DWG NO.</b> 35424AD		SHEET SIZE	SHEET NO.
		D	1 OF 1

**NOTE**  
DIMENSIONS SHOWN ARE APPROXIMATE AND ARE SUBJECT TO MINOR DEVIATIONS AS MAY OCCUR OR BE NECESSARY IN CONSTRUCTION. MINOR DETAILS NOT SHOWN.

- SHORELINE RECEPTACLE WITH KUSSMAUL SUPER AUTO-EJECT LOCATED ON DRIVER SIDE OF THE CAB
- AIR INLET WITH KUSSMAUL AIR-EJECT LOCATED ON DRIVER SIDE OF THE CAB
- BATTERY CHARGER LOCATED IN COMPARTMENT PER SHOP ORDER
- BATTERY CHARGE INDICATOR LOCATED ON THE DRIVER SIDE SEAT RISER
- TEN ADJUSTABLE SHELVES IN COMPARTMENTS PER SHOP ORDER
- FOUR FLOOR MOUNTED SLIDE-OUT TRAYS IN COMPARTMENTS PER SHOP ORDER
- ONE SWING-OUT ALUMINUM TOOL BOARD IN COMPARTMENT PER SHOP ORDER
- L.E.D. LIGHT STRIPS LOCATED IN HOSE BED PER SHOP ORDER
- ONE 120V DUPLEX RECEPTACLE IN CAB PER SHOP ORDER
- TWO 120V DUPLEX RECEPTABLES IN COMPARTMENTS PER SHOP ORDER
- PRE-WIRING FOR CUSTOMER INSTALLED INVERTER PER SHOP ORDER
- SUB FEED CIRCUIT BREAKER PANEL MOUNTED IN COMPARTMENT PER SHOP ORDER
- 1.50\"
- LIFTING EYE RESCUE ATTACHMENT AT AERIAL TIP
- 1500 GPM HIGH FLOW WATERWAY

REV	DATE	BY	CH	ENFORCER
130CT20	TKA	GKH	MAKE	
07AUG20	TKA	GKH	PIERCE	
06AUG20	TKA	GKH	MODEL	