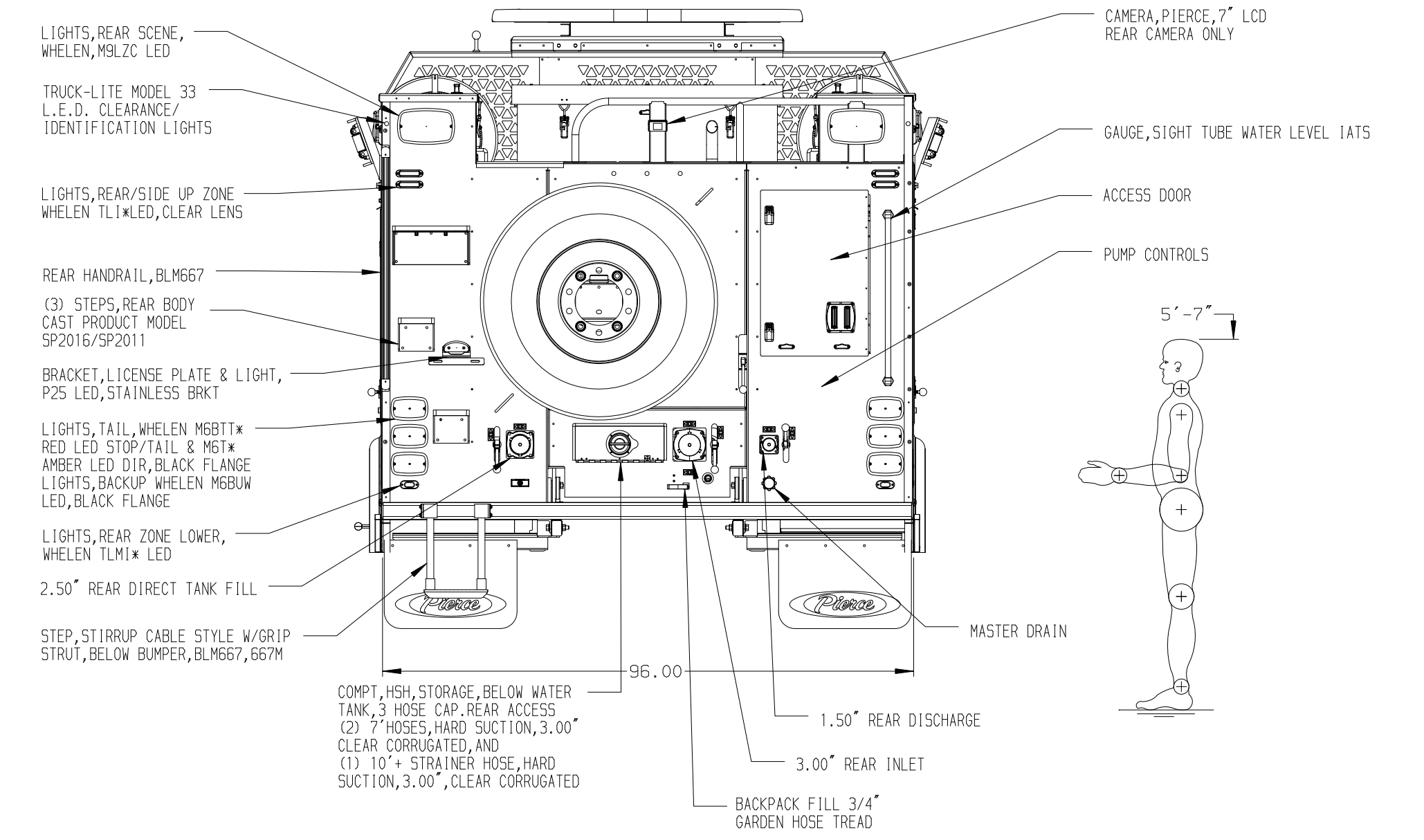


LEFT SIDE COMPARTMENTS CONTAIN THE FOLLOWING:

- COMPARTMENT L51 CONTAINS:
 - (2) WHEEL CHOCKS
 - (2) SPARE TIRE CARRIER WINCH REMOTE
- COMPARTMENT L52 CONTAINS:
 - (2) SHELF, ADJUSTABLE, 500 LB CAPACITY, S/S, UNPAINTED, W/SECONDARY RETENTION
- COMPARTMENT L53 CONTAINS:
 - (2) SHELVES, ADJUSTABLE, 500 LB CAPACITY, S/S, UNPAINTED, W/SECONDARY RETENTION
- COMPARTMENT L54 CONTAINS:



STAINLESS STEEL BODY

NOTE
DIMENSIONS SHOWN ARE APPROXIMATE AND ARE SUBJECT TO MINOR DEVIATIONS AS MAY OCCUR OR BE NECESSARY IN CONSTRUCTION. MINOR DETAILS NOT SHOWN.

(800 GALLON WATER TANK 3598594)

REV	DATE	BY	CH
12MAR21		RHU	CAG
10FEB21		JLA	CAG

		JOB NO.	35414
		SCALE	DATE
TITLE	800 GAL WATER W/20 FOAM, DARLEY, HSE 65K W/KUBOTA V2403T (2) BOOSTER REELS, FOAM SYSTEM	DRAWN BY	JLA 17NOV20
FOR	BLM WINNEMUCCA BOISE, IDAHO	CHECKED BY	RWI 18NOV20
DWG NO.	35414AD	SHEET SIZE	SHEET NO.
		D	1 OF 1

NOTE: WINTERIZE BEFORE SHIPMENT, BLM667/667M