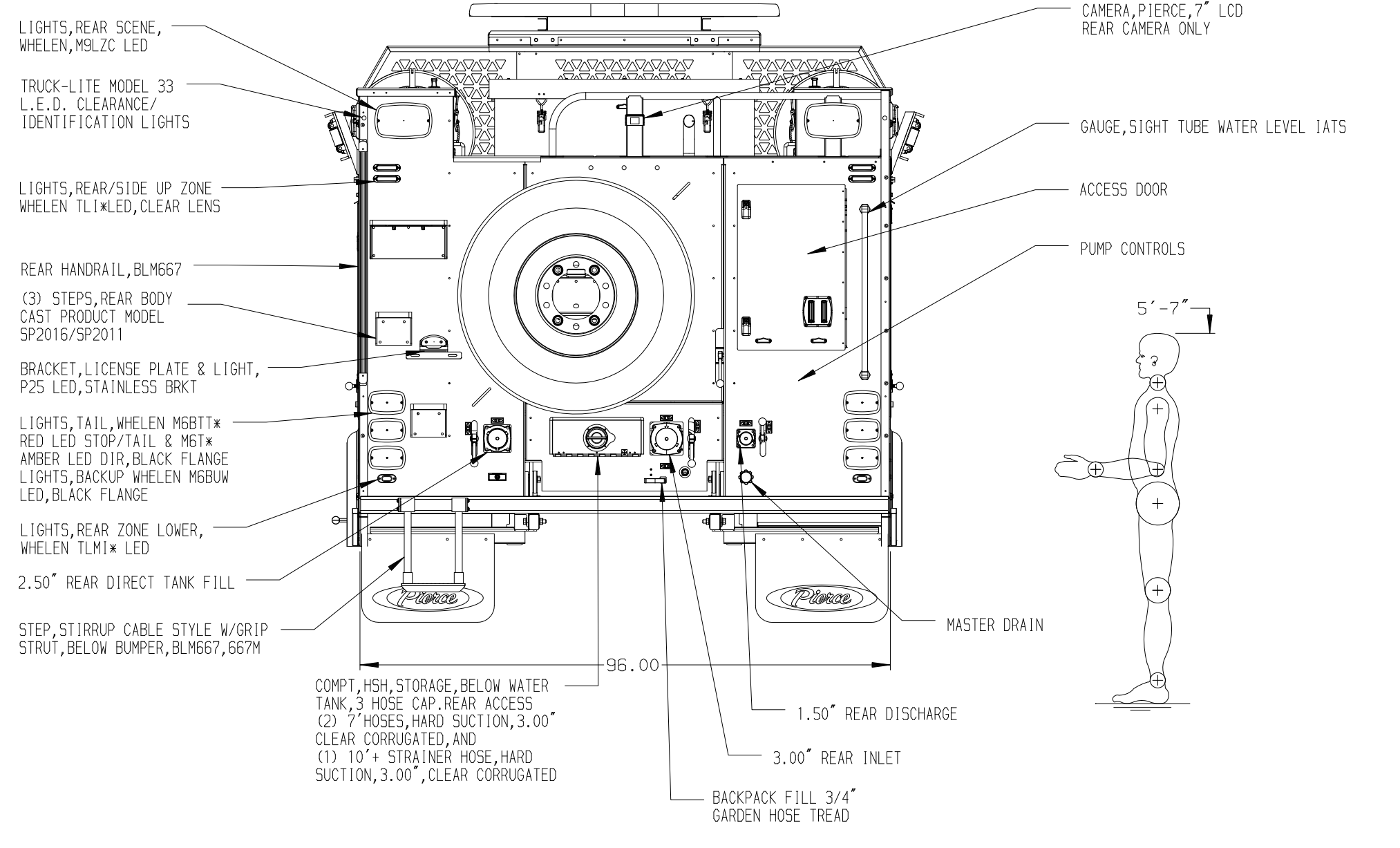


LEFT SIDE COMPARTMENTS CONTAIN THE FOLLOWING:

- COMPARTMENT L51 CONTAINS:
 - (2) WHEEL CHOCKS
 - (2) SPARE TIRE CARRIER WINCH REMOTE
- COMPARTMENT L52 CONTAINS:
 - (2) SHELF, ADJUSTABLE, 500 LB CAPACITY, S/S, UNPAINTED, W/SECONDARY RETENTION
- COMPARTMENT L53 CONTAINS:
 - (2) SHELVES, ADJUSTABLE, 500 LB CAPACITY, S/S, UNPAINTED, W/SECONDARY RETENTION
- COMPARTMENT L54 CONTAINS:



STAINLESS STEEL BODY

NOTE
DIMENSIONS SHOWN ARE APPROXIMATE AND ARE SUBJECT TO MINOR DEVIATIONS AS MAY OCCUR OR BE NECESSARY IN CONSTRUCTION. MINOR DETAILS NOT SHOWN.

(800 GALLON WATER TANK 3598594)

CHASSIS DATA	TITLE	800 GAL WATER W/20 FOAM, DARLEY, HSE 65K W/KUBOTA V2403T
MAKE	FOR	(2) BOOSTER REELS, FOAM SYSTEM
FL		BLM CARSON CITY
MODEL		BOISE, IDAHO
M2-106	DWG NO.	35411AD
4x4		

	MANUFACTURING INC.	JOB NO.	35411
		SCALE	1:24
		DATE	
		DRAWN BY	JLA
		CHECKED BY	RWI
		SHEET SIZE	D
		SHEET NO.	1 OF 1

NOTE: WINTERIZE BEFORE SHIPMENT, BLM667/667M