

Pumper, PUC BODY

Pumper, PUC, Aluminum

CHASSIS

Enforcer Chassis, PUC

CHASSIS AXLE, FRONT, CUSTOM

18,000 Lb Oshkosh TAK-4 Axle

AXLE, REAR

31,000 Lb Dana Axle

ENGINE

450 HP Cummins L9 Engine

TRANSMISSION

Allison 5th Gen, 3000 EVS P

BUMPER

22" Extended Painted Steel

CAB

7010 Enforcer Cab, PUC

BODY

WATER TANK

975 Gallon Poly Water Tank

COMPT, PUMPER, REAR

33.50" FF RollUp Rear Compt w/Tailboard, PUC

COMPT, PUMPER, LEFT SIDE

189" RollUp Full Height & Depth Front & Rear, PUC

COMPT, PUMPER, RIGHT SIDE

189" RollUp Full Height & Depth Front & Rear, PUC

FIRE SUPPRESSION PUMPHOUSE

Control Zone, PUC

PUMP

1500 GPM Pierce PUC

CROSSLAYS, 1.50"

(3) 1.50", Poly Trays, Spcl Cap.

CROSSLAYS, 2.50"

Not Required

GENERATOR

Generator Not Required

Foam System

Husky 3 Single Agent Foam System

Foam Cell

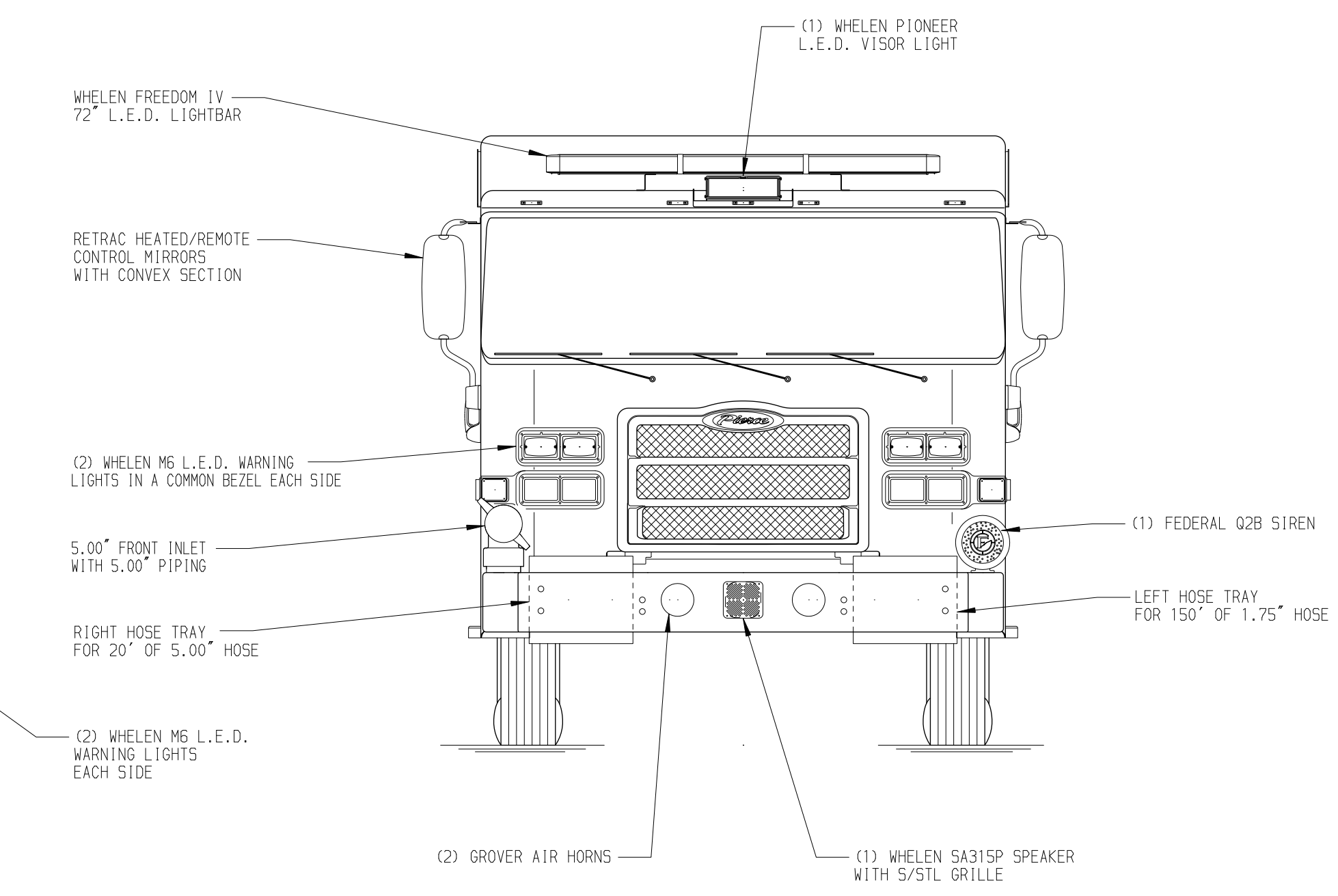
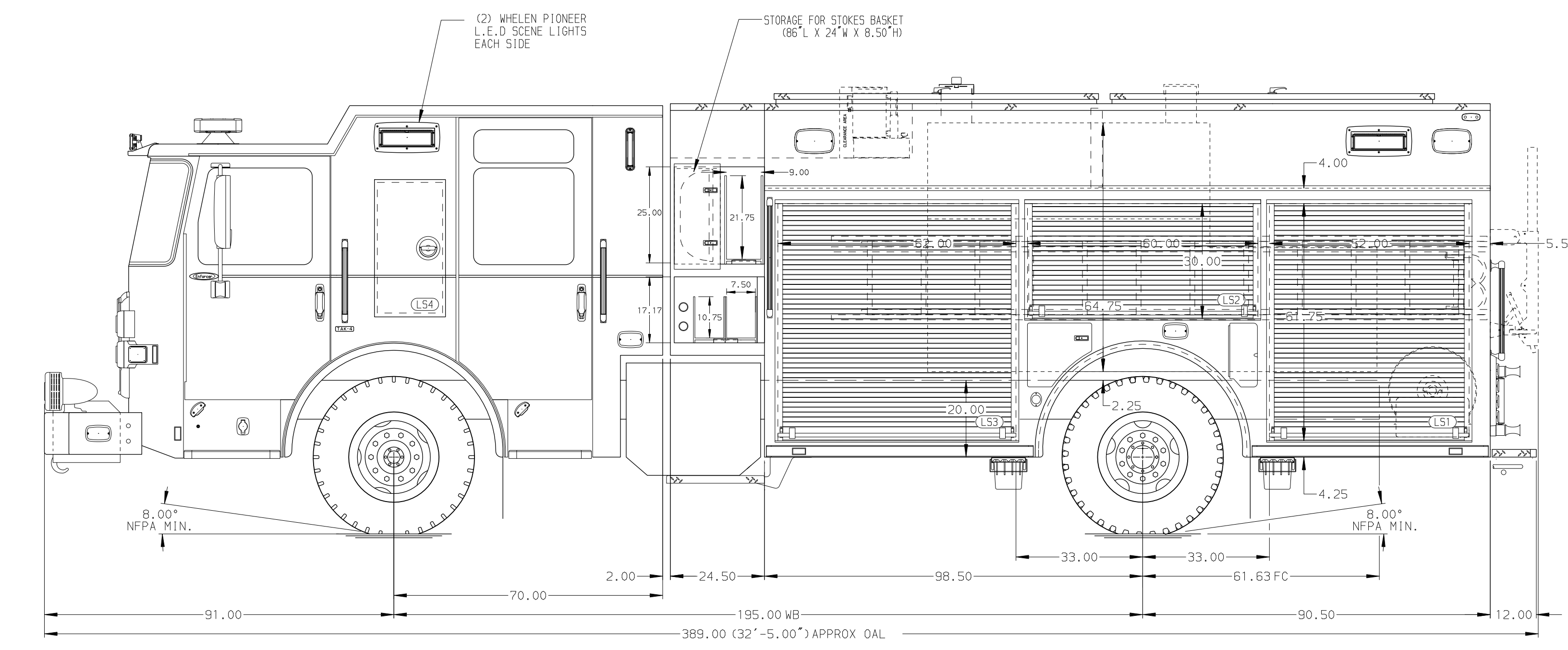
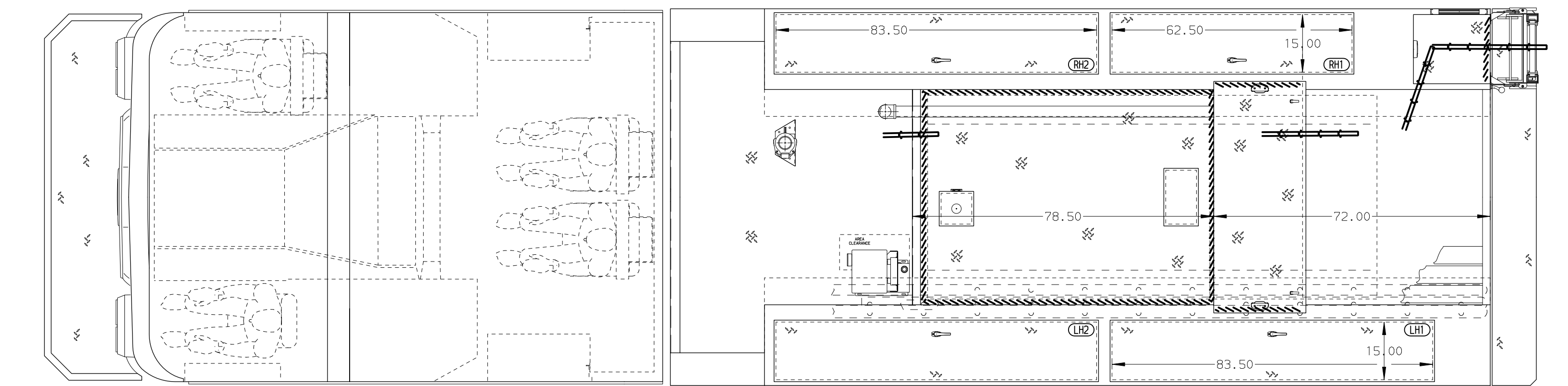
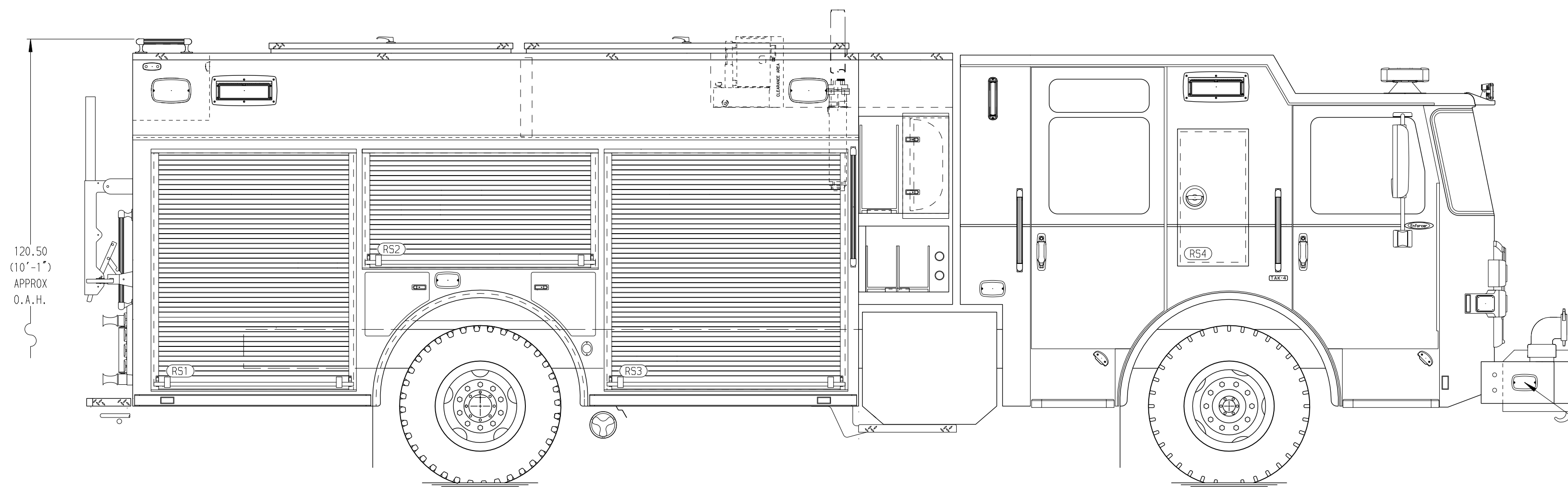
25 Gallon Foam Cell, Reduced Water, PUC

Side Roll and Frontal Impact Protection

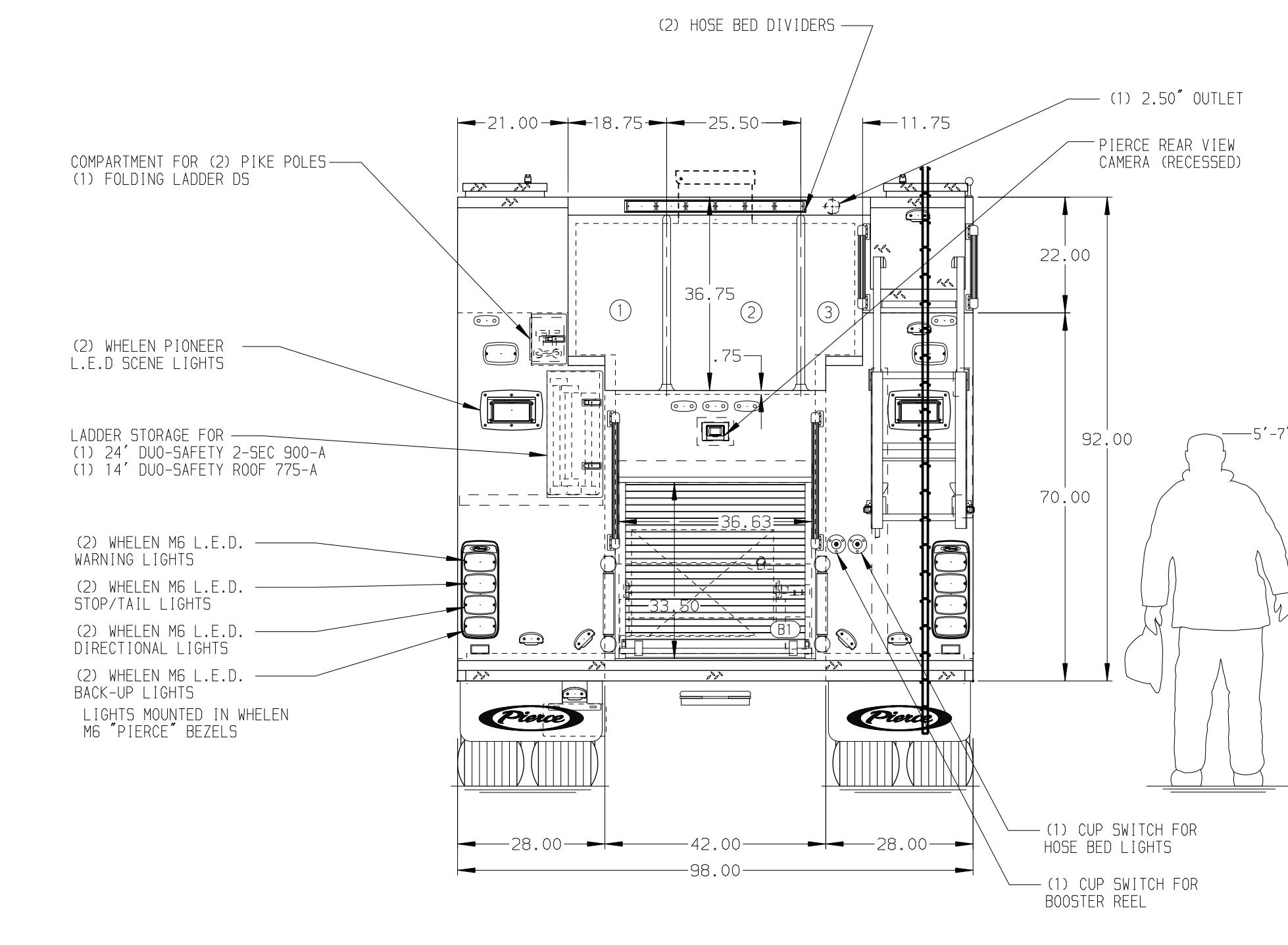
NOTE

DIMENSIONS SHOWN ARE APPROXIMATE AND ARE SUBJECT TO MINOR DEVIATIONS AS MAY OCCUR OR BE NECESSARY IN CONSTRUCTION. MINOR DETAILS NOT SHOWN.

- ONE 1.50" OUTLET WITH 2.00" PIPING AND SMIVEL LOCATED IN LEFT BUMPER TRAY
- SHORELINE RECEPTACLE WITH KUSSMUL SUPER AUTO-EJECT LOCATED ON DRIVER SIDE STEP WELL
- AIR INLET WITH DISCONNECT COUPLING IN THE DRIVER SIDE STEPWELL
- BATTERY CHARGER LOCATED BEHIND DRIVERS SEAT
- BATTERY CHARGE INDICATOR LOCATED ON THE DRIVER SIDE SEAT RISER
- FOUR ADJUSTABLE SHELVES IN COMPARTMENTS PER SHOP ORDER
- THREE FLOOR MOUNTED SLIDE-OUT TRAYS IN COMPARTMENT PER SHOP ORDER
- THREE TILT/SLIDE-OUT TRAY IN COMPARTMENTS PER SHOP ORDER
- TILT/SLIDE-OUT TRAY LOCATED IN COMPARTMENT PER SHOP ORDER
- PEGBOARD MOUNTED ON BACK WALL IN COMPARTMENT PER SHOP ORDER
- PEGBOARD MOUNTED ON SIDE WALL IN COMPARTMENT PER SHOP ORDER
- ONE SLIDE-OUT TOOLBOARD LOCATED IN COMPARTMENT PER SHOP ORDER
- TWO SWING-OUT TOOLBOARD LOCATED IN COMPARTMENT PER SHOP ORDER
- ONE DRAWER CTECH ASSEMBLY LOCATED IN COMPARTMENT PER SHOP ORDER
- ONE HORIZONTAL PARTITION LOCATED IN COMPARTMENT PER SHOP ORDER
- RETENSION NETTING LOCATED IN COMPARTMENT PER SHOP ORDER
- THREE VERTICAL PARTITIONS IN HATCHES PER SHOP ORDER
- TWO VERTICAL PARTITIONS IN COMPARTMENTS PER SHOP ORDER
- ONE HANNAY ELECTRIC REWIND BOOSTER REEL MODEL SB8F34-23-24 LOCATED IN COMPARTMENT WITH CAPACITY FOR 150' OF 1.00" BOOSTER HOSE WITH A 1/3 HP MOTOR



HOSEBED CAPACITY	
BED 1	600' OF 3.00" D.J. POLY HOSE
BED 2	800' OF 5.00" D.J. POLY HOSE
BED 3	200' OF 2.50" D.J. POLY HOSE



REV	DATE	BY	CH	ENFORCER
300CT20	MMF	COL		CHASSIS DATA
25SEP20	MMF	COL		MAKE
24SEP20	MMF	COL		PIERCE
				MODEL
				ENFORCER

		JOB NO.	35403
		SCALE	DATE
TITLE	Pierce PUC Pumper Approval Drawing	DRAWN BY	MMF
FOR	G.V.W. Fire Department	CHECKED BY	NPE
DWG NO.	35403AD	SHEET SIZE	SHEET NO.
		D	1 OF 1