

HOSEBED CAPACITIES  
 ① 200' OF 2.50" D.J. POLYESTER HOSE

CODE 3 NAS1839, TORUS, 40.50" LONG LED, TRAFFIC DIRECTING LIGHT SURFACE MOUNTED

CAMERA, SAFETY VISION 7" LCD DISPLAY, REAR CAMERA ONLY WITH ALUMINUM 4-WAY GUARD

(2) WHELEN L31HFN LED BEACON, RED LED WARNING LIGHTS REAR WARNING BRACKETS, 5/5, LOW MOUNT FOR DRY SIDE TANKER

LIGHTS, CLEARANCE/MARKER/10, REAR, FRP LED BAR & P25 LED, 4 LTS

TANK ACCESS LADDER, POLY TANK, DRY SIDE TANKER

TROUGHS FOR 4.00" HARD SUCTION HOSES (2) HOSE, HARD SUCTION, 4.0" x 10', CLEAR CORRUGATED PVC

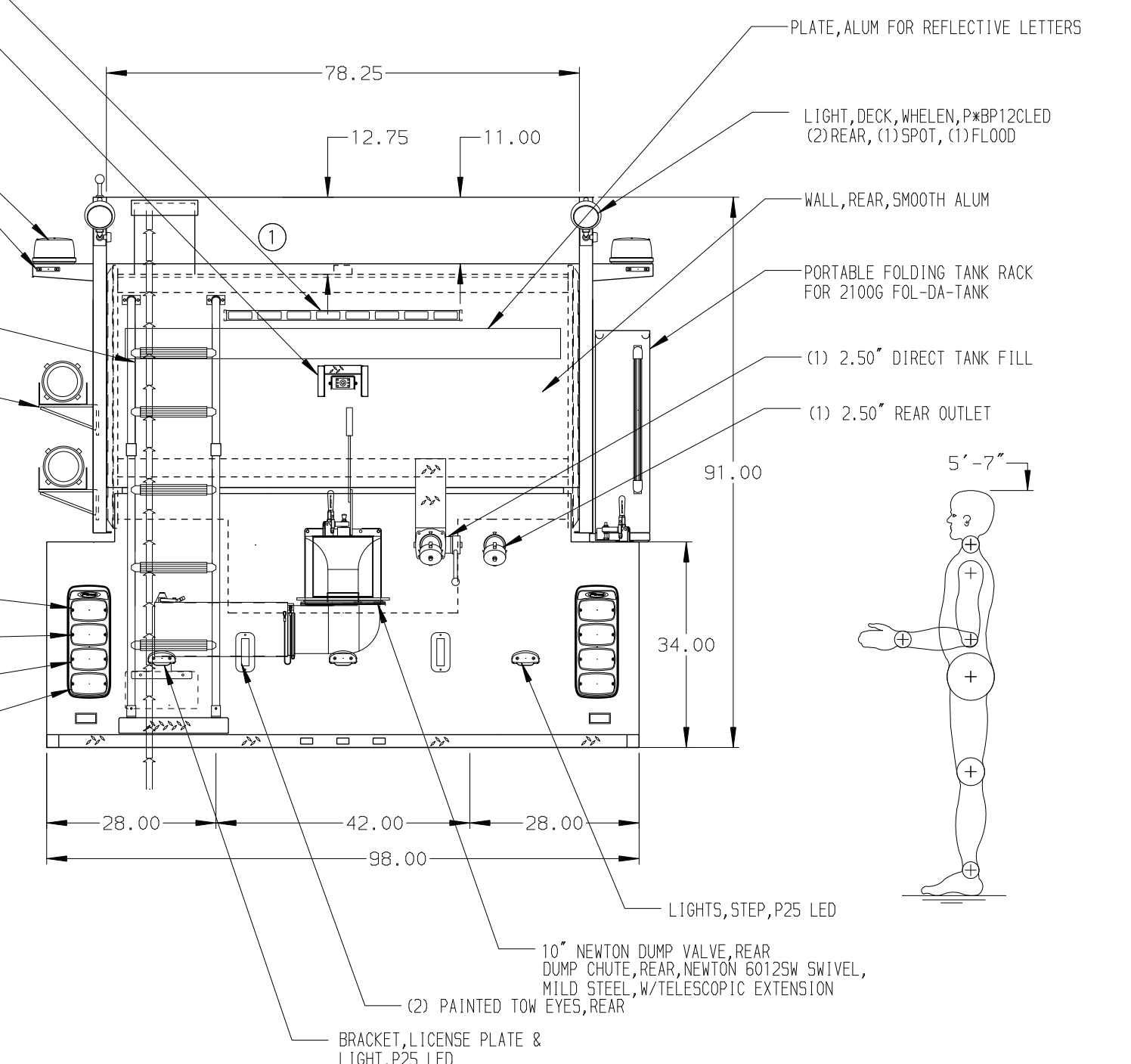
(2) WHELEN M6 L.E.D. WARNING LIGHTS

(2) WHELEN M6 L.E.D. STOP/TAIL LIGHTS

(2) WHELEN M6 L.E.D. DIRECTIONAL LIGHTS

(2) WHELEN M6 L.E.D. BACK-UP LIGHTS

LIGHTS MOUNTED IN WHELEN M6 "PIERCE" BEZELS



ALUMINUM BODY

NOTE  
 DIMENSIONS SHOWN ARE APPROXIMATE AND ARE SUBJECT TO MINOR DEVIATIONS AS MAY OCCUR OR BE NECESSARY IN CONSTRUCTION. MINOR DETAILS NOT SHOWN.

REV	DATE	BY	CH	MODEL	CHASSIS DATA
08FEB21	JLA	CAG		T-370	
25NOV20	RHU	CAG			
07OCT20	RWI	JLA	KW		
16SEP20	RHU	RWI			

<p>MANUFACTURING INC. BRADENTON, FLORIDA</p>		JOB NO.	35388
		SCALE	DATE
TITLE	500-D-2000 POLY 148" DRYSIDE BODY 34" SIDE CONTROL (2) CROSSLAYS	DRAWN BY	14SEP20
FOR	OSCEOLA COUNTY PUBLIC SAFETY KISSIMMEE, FL	CHECKED BY	15SEP20
DWG NO.	35388AD	SHEET SIZE	SHEET NO.
		D	1 OF 1