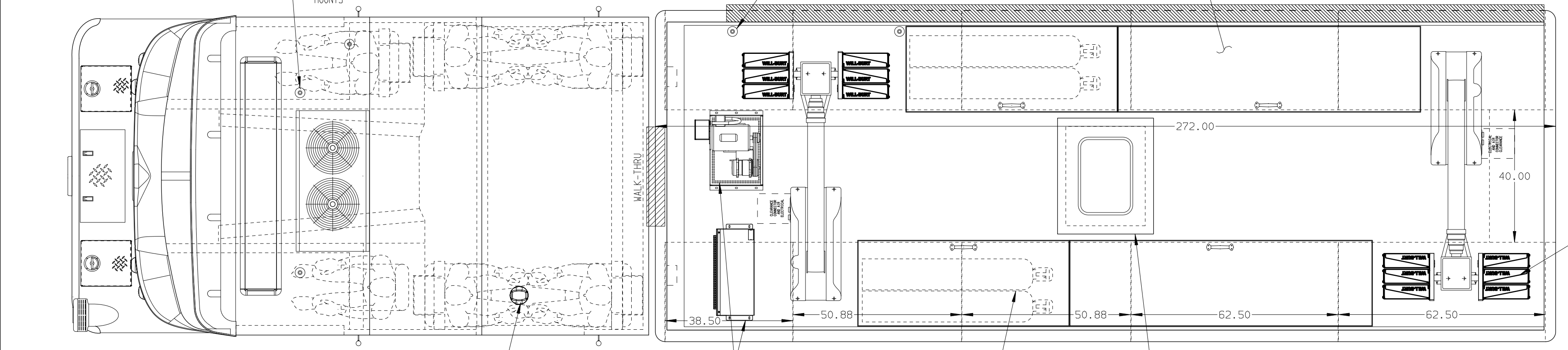
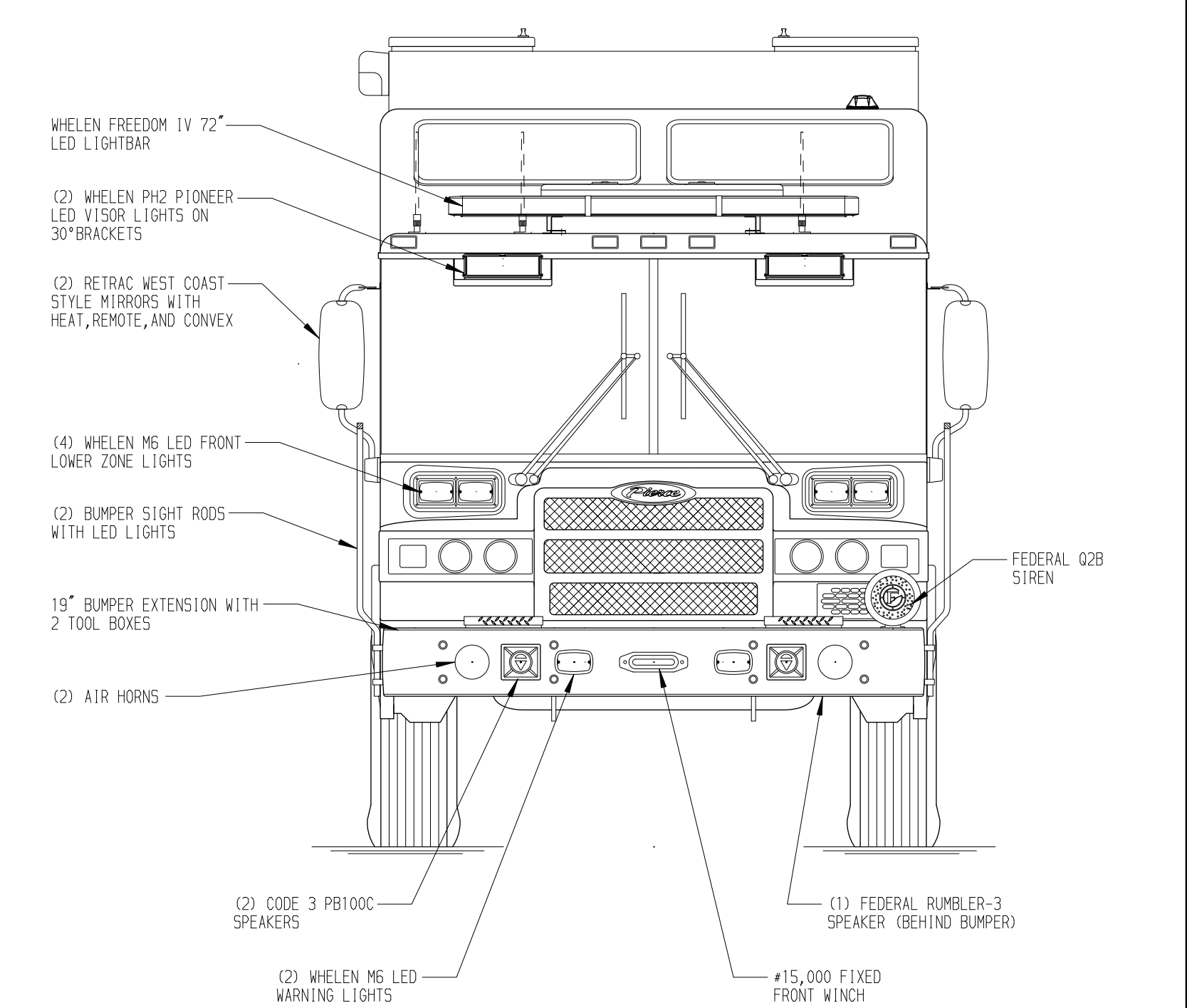
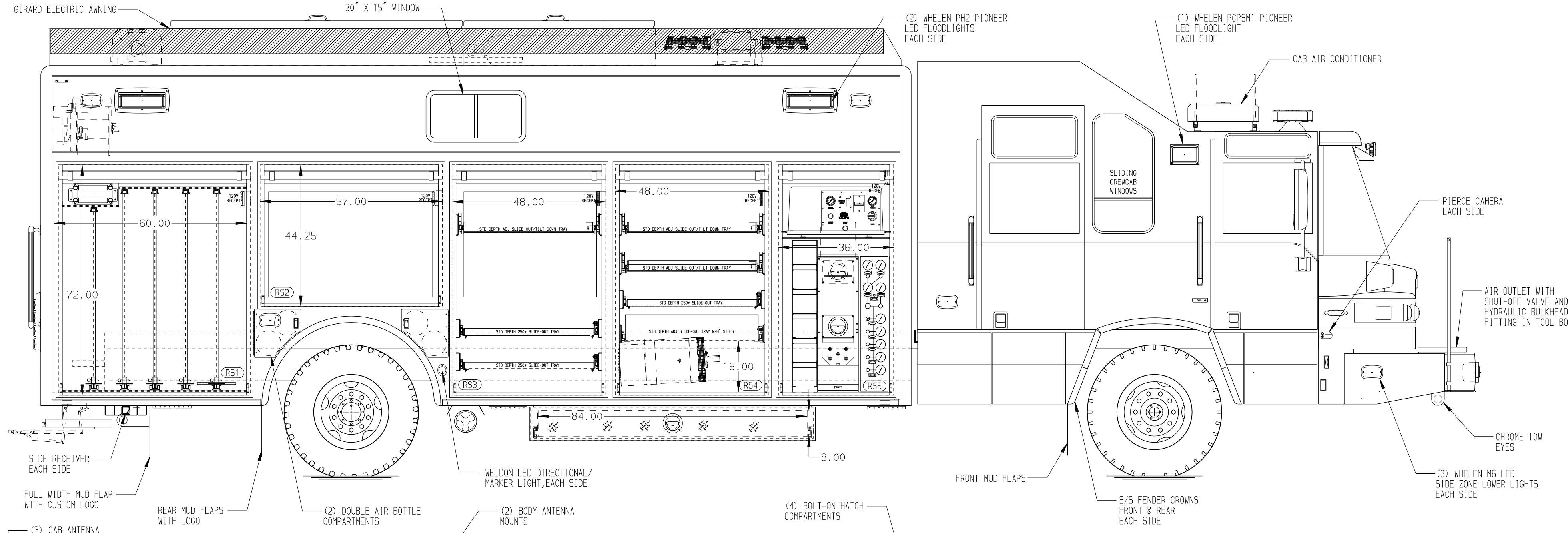
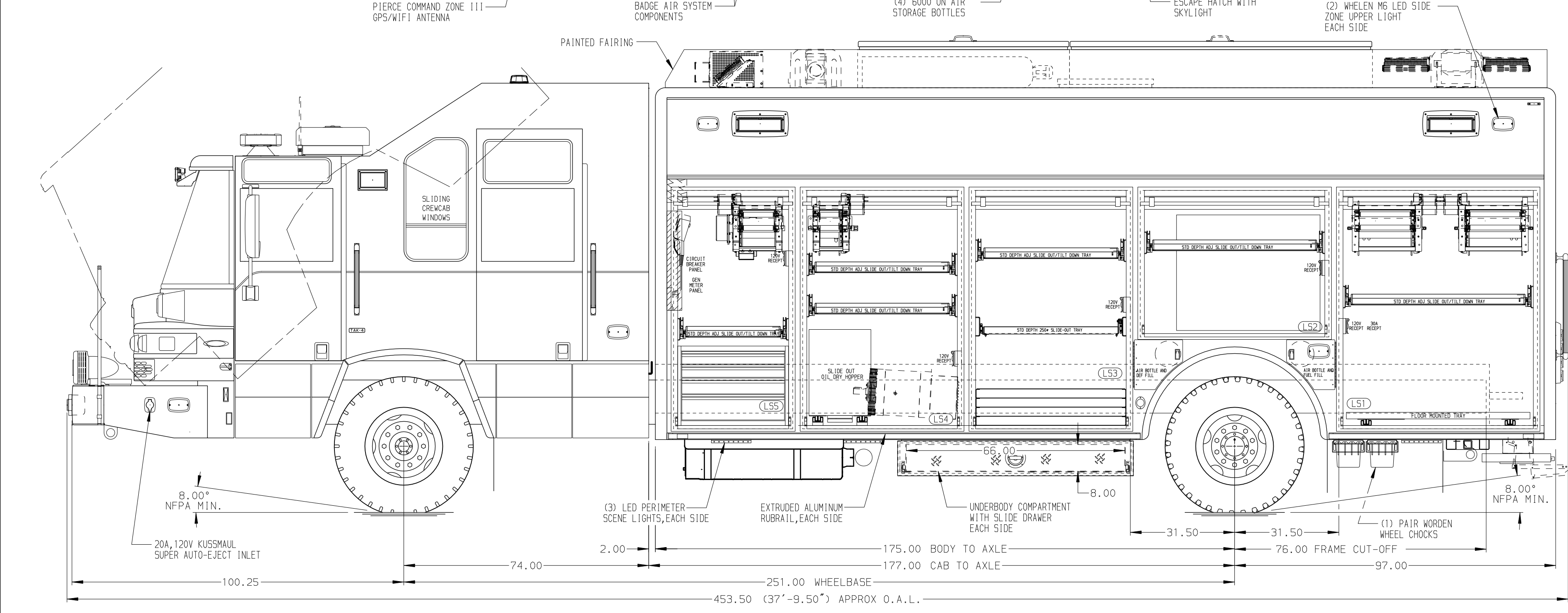
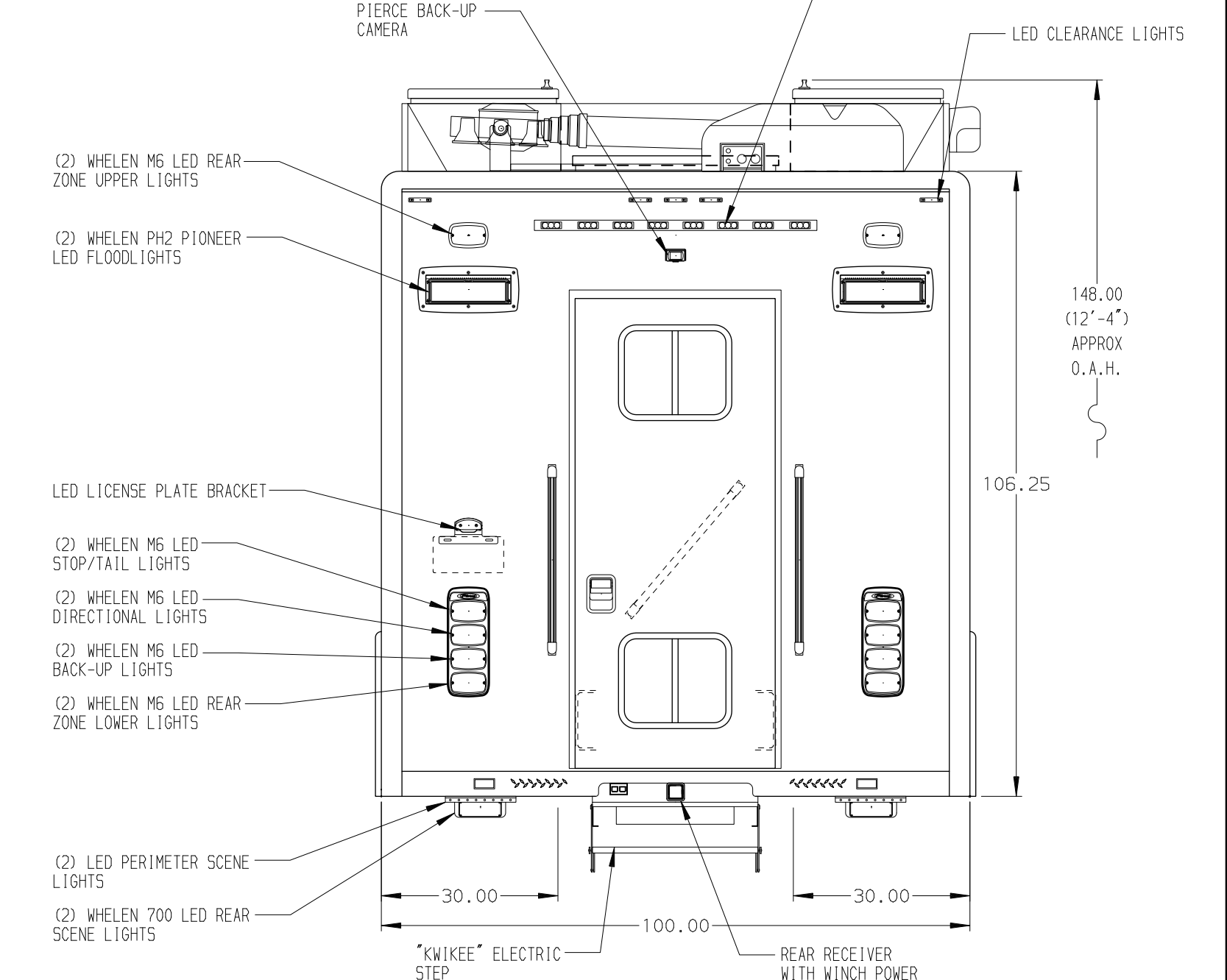


- RIGHT SIDE COMPARTMENTS CONTAIN THE FOLLOWING:**
- COMPARTMENT RS1 CONTAINS:
 - PEGBOARD ON LEFT AND RIGHT WALLS
 - (5) STD DEPTH ADJ SLIDE OUT TOOLBOARDS
 - (1) ELECTRIC CORD REEL WITH 200' OF 10/3 YELLOW CORD
 - (1) 15/20A, 120V 4-PLACE RECEPTACLE
 - COMPARTMENT RS2 CONTAINS:
 - (1) 15/20A, 120V 4-PLACE RECEPTACLE
 - EXTERIOR TO INTERIOR ACCESS AREA
 - COMPARTMENT RS3 CONTAINS:
 - (2) STD DEPTH ADJ SLIDE OUT TRAYS
 - (1) STD DEPTH ADJ SLIDE OUT/TILT TRAY
 - (1) 15/20A, 120V 4-PLACE RECEPTACLE
 - EXTERIOR TO INTERIOR ACCESS AREA
 - COMPARTMENT RS4 CONTAINS:
 - (1) STD DEPTH ADJ SLIDE OUT TRAY
 - (1) STD DEPTH ADJ SLIDE OUT TRAY WITH SPECIAL HEIGHT SIDES
 - (2) STD DEPTH ADJ SLIDE OUT/TILT TRAYS
 - (1) 15/20A, 120V 4-PLACE RECEPTACLE
 - COMPARTMENT RS5 CONTAINS:
 - (1) RACK FOR 6 SCBA BOTTLES
 - (1) 3/8" THICK FLAT TOP PLATE
 - (1) 15/20A, 120V 4-PLACE RECEPTACLE
 - (1) CASCADE SYSTEM CONTROL PANEL
 - (1) "SPACE SAVER" 2-BOTTLE FILL ENCLOSURE
 - (1) BREATHING AIR BOOSTER PUMP



- LEFT SIDE COMPARTMENTS CONTAIN THE FOLLOWING:**
- COMPARTMENT LS1 CONTAINS:
 - (1) STD DEPTH ADJ SLIDE OUT/TILT TRAY
 - (1) STD DEPTH FLOOR MOUNTED TRAY
 - (1) 15/20A, 120V 4-PLACE RECEPTACLE
 - (1) 30A, 120V T.L. RECEPTACLE
 - (2) HYDRAULIC REELS WITH CAPACITY FOR 200' OF HOSE EACH
 - COMPARTMENT LS2 CONTAINS:
 - (1) STD DEPTH ADJ SLIDE OUT/TILT TRAY
 - (1) 15/20A, 120V 4-PLACE RECEPTACLE
 - EXTERIOR TO INTERIOR ACCESS AREA
 - COMPARTMENT LS3 CONTAINS:
 - (1) STD DEPTH ADJ SLIDE OUT TRAY
 - (1) STD DEPTH ADJ SLIDE OUT/TILT TRAY
 - (1) RACK FOR 4 AIR BAGS
 - (1) 15/20A, 120V 4-PLACE RECEPTACLE
 - COMPARTMENT LS4 CONTAINS:
 - (2) STD DEPTH ADJ SLIDE OUT/TILT TRAYS
 - (1) SLIDE OUT OIL DRY HOPPER
 - (1) TOOL AIR REEL WITH 150' OF HOSE
 - (1) 15/20A, 120V 4-PLACE RECEPTACLE
 - COMPARTMENT LS5 CONTAINS:
 - (1) CAB LIFT CONTROLLER
 - (1) 101A 75 AMP BATTERY CHARGER
 - (1) STD DEPTH ADJ SLIDE OUT/TILT TRAY
 - (1) 4-DRAWER C-TECH CABINET
 - (2) NIGHTSCAN CONTROLLERS
 - (1) ELECTRIC CORD REEL WITH 200' OF 10/3 YELLOW CORD
 - (1) 15/20A, 120V 4-PLACE RECEPTACLE
 - (1) CIRCUIT BREAKER PANEL
 - (1) GENERATOR METER PANEL
 - (1) 12V SWITCH PANEL



NOTE
DIMENSIONS SHOWN ARE APPROXIMATE AND ARE SUBJECT TO MINOR DEVIATIONS AS MAY OCCUR OR BE NECESSARY IN CONSTRUCTION. MINOR DETAILS NOT SHOWN.

- NOTES:**
1. 0NAN 40kW THREE-PHASE PTO DRIVEN GENERATOR LOCATED BETWEEN THE FRAME RAILS
 2. KUSSMAUL BRAKE SYSTEM COMPRESSOR LOCATED BEHIND THE DRIVER'S SEAT
 3. POLISHED 5/8\"/>



CLEAR DOOR WIDTH KEY		CHASSIS DATA	
AMORR ROLL UP DOORS:	-2 1/4"	19APR21	DHE AZU
GORTITE ROLL UP DOORS:	-2 1/2"	25FEB21	DHE AZU
PIERCE DOUBLE LIP DOORS:	-4 1/4"	01DEC20	DHE AZU
PIERCE LIFT-UP LAP DOORS:	-3 1/2"	REV	DATE BY CH

Pierce MANUFACTURING INC.

JOB NO. 35385

SCALE 1:24 DATE

TITLE HEAVY DUTY RESCUE WALKIN

FOR NISKAYUNA FIRE DISTRICT #2

BID #755

WILLIAM KRUG

DWG NO. 35385AD-SH1

CHECKED BY AZU 6NOV20

SHEET SIZE D SHEET NO. 1 OF 1

(SIDE ROLL AND FRONTAL IMPACT PROTECTION)