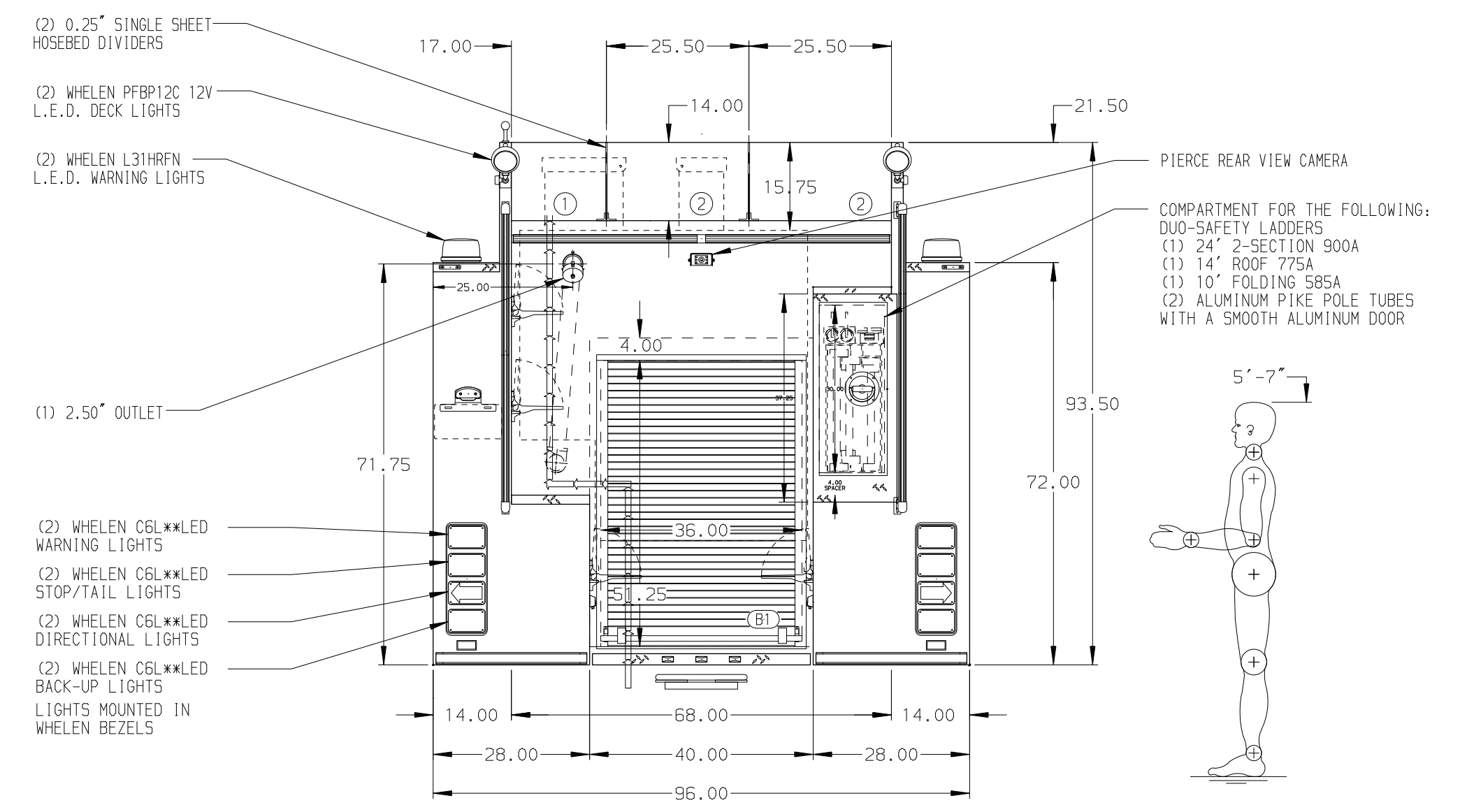
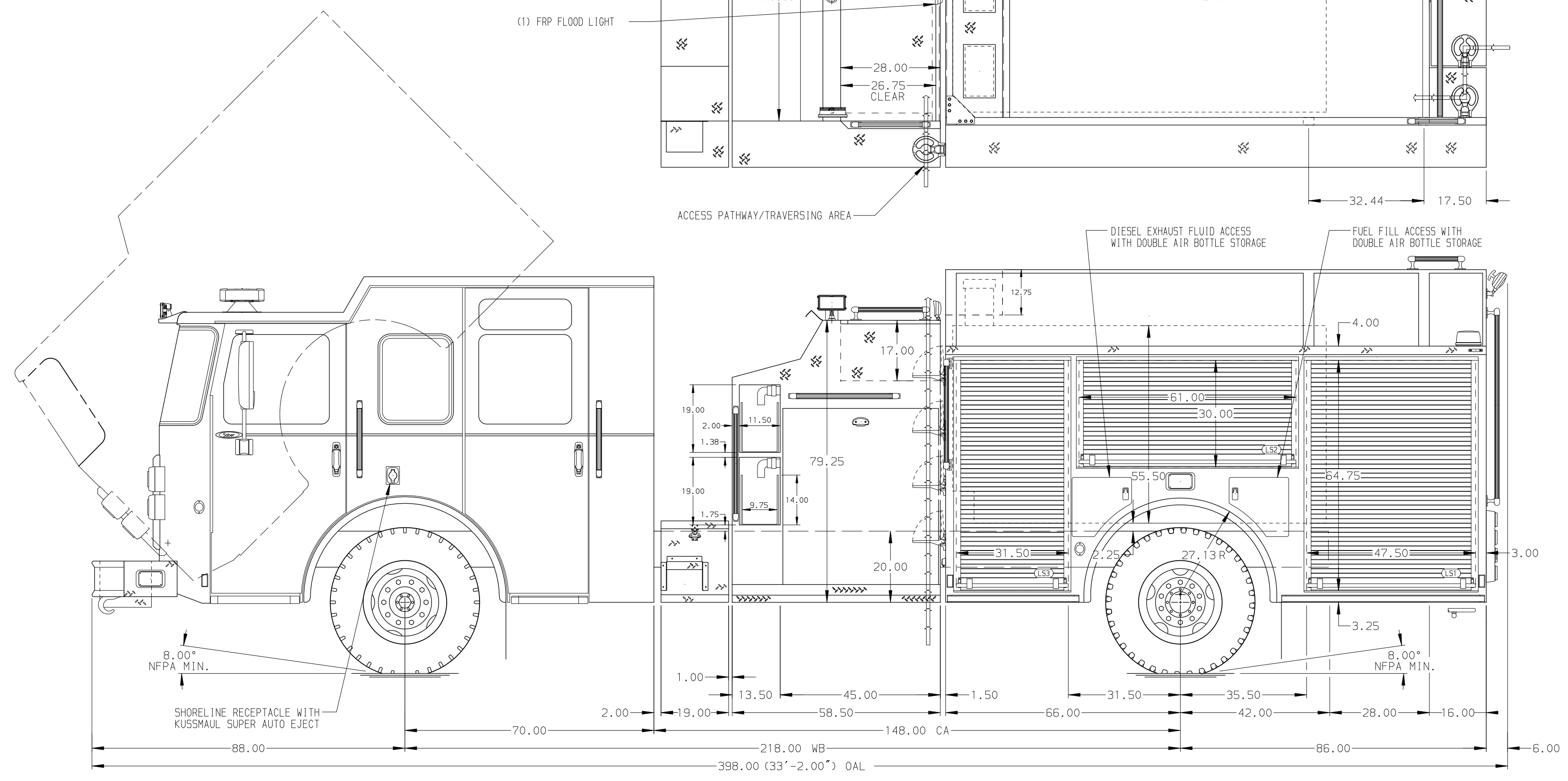


HOSEBED CAPACITIES

① 400' OF 2.50" D.J. HOSE

② 1000' OF 5.00" D.J. HOSE



ALUMINUM BODY

NOTE  
DIMENSIONS SHOWN ARE APPROXIMATE AND ARE SUBJECT TO MINOR DEVIATIONS AS MAY OCCUR OR BE NECESSARY IN CONSTRUCTION. MINOR DETAILS NOT SHOWN.

		JOB NO.	35372
		SCALE	1:24
CHASSIS DATA MAKE MODEL SABER FR	TITLE	1500-D-1030P, 1000 GAL WATER W/30 GAL FOAM SYSTEM 152" PUMPER BODY, TOP CONTROL, LADDERS BESIDE TANK	DATE
	FOR	PIERCE FIELD UNIT BRADENTON, FLORIDA	DRAWN BY CRH
REV DATE BY CH	DWG NO.	35372AD	CHECKED BY CAG
			SHEET SIZE D
			SHEET NO. 1 OF 1