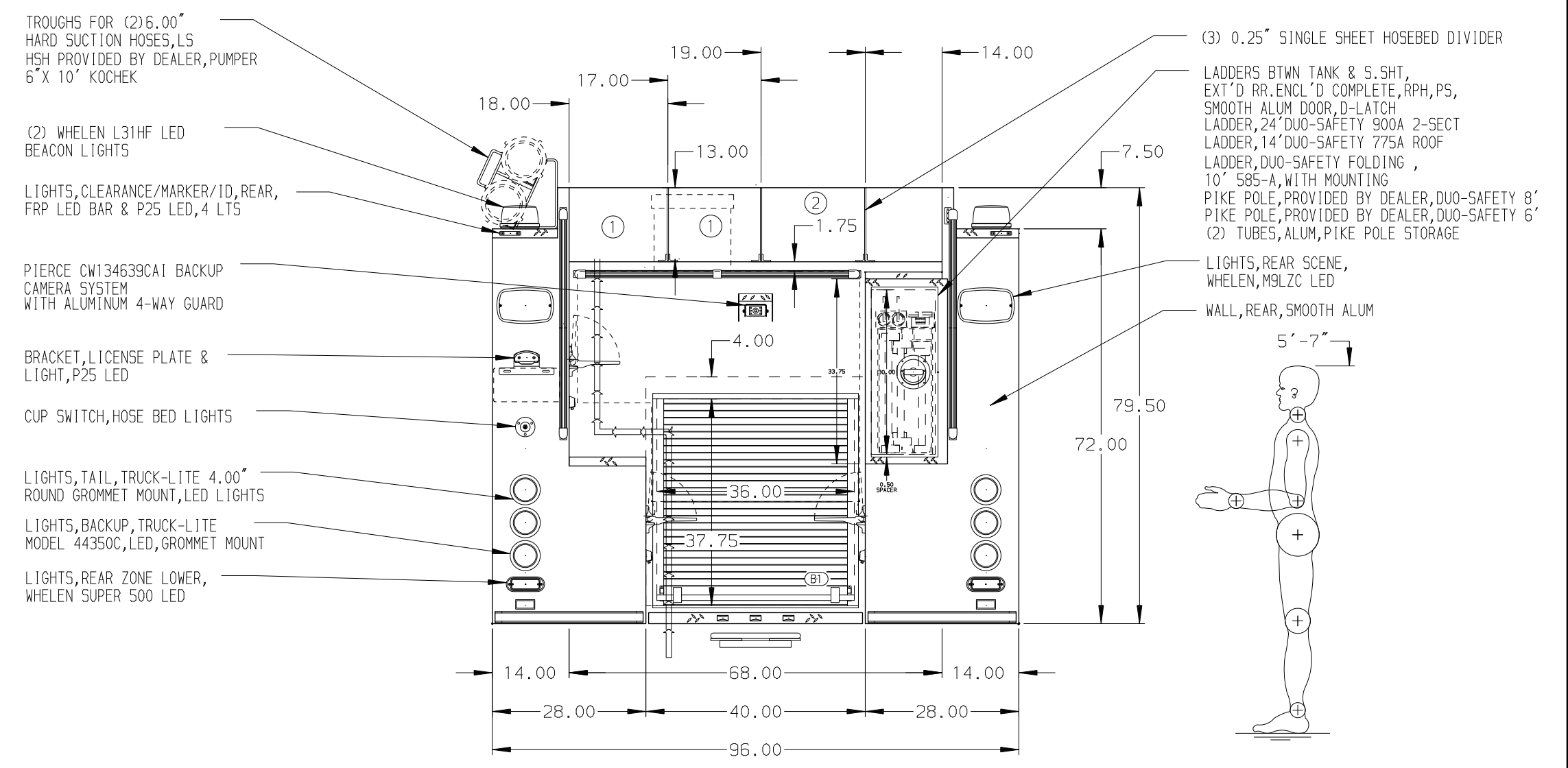
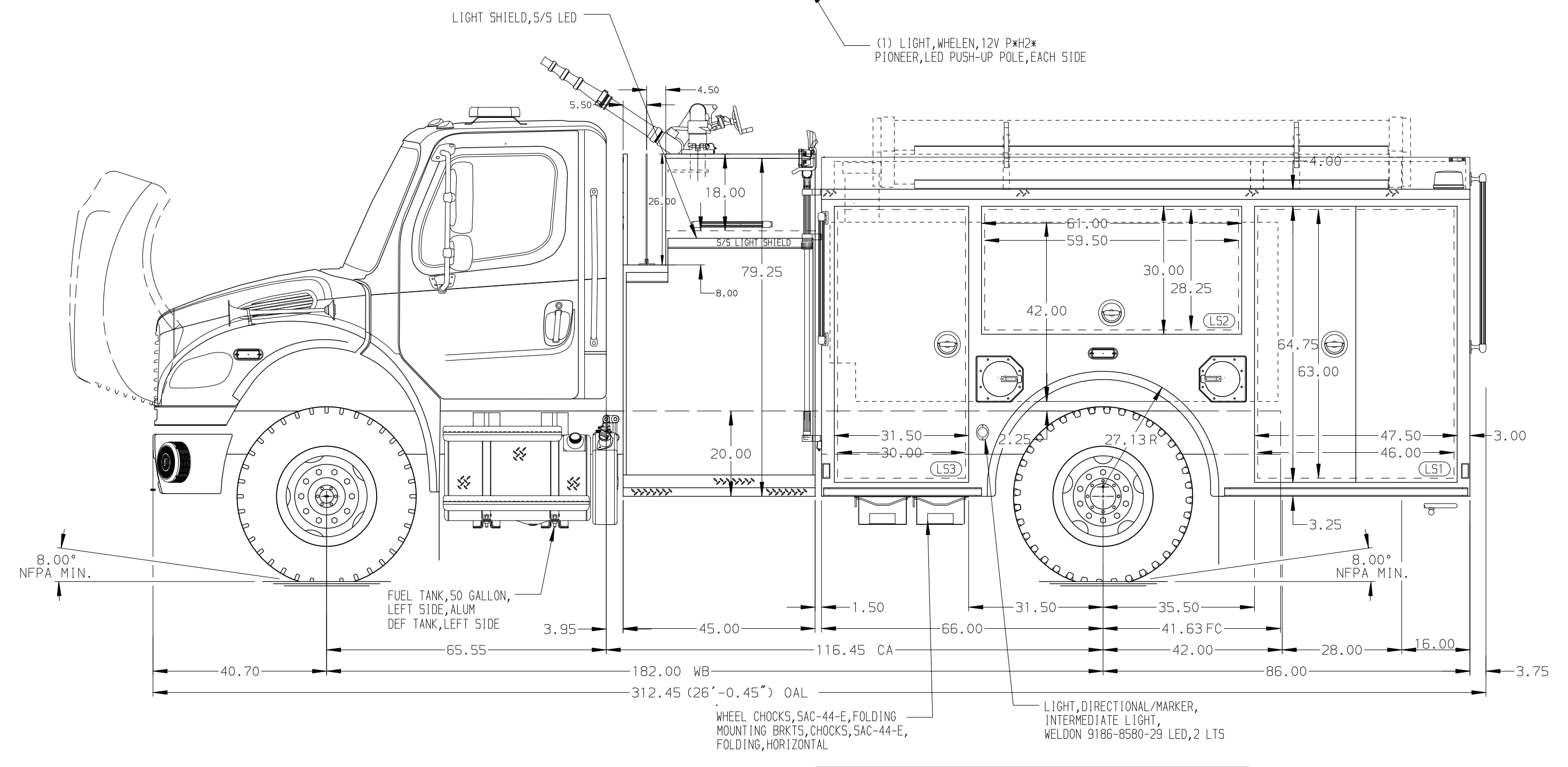


- HOSEBED CAPACITIES
- ① 1000' OF 2.50" D.J. POLY HOSE
  - ② 300' OF 1.75" D.J. POLY HOSE



ALUMINUM BODY

MAXIMUM O.A.H. 116"

NOTE  
DIMENSIONS SHOWN ARE APPROXIMATE AND ARE SUBJECT TO MINOR DEVIATIONS AS MAY OCCUR OR BE NECESSARY IN CONSTRUCTION. MINOR DETAILS NOT SHOWN.

REV	DATE	BY	CH	CHASSIS DATA
▽	12FEB21	RHU	GSC	MAKE
▽	17DEC20	RHU	GSC	FL
▽	16OCT20	RWI	JLA	MODEL
REV	DATE	BY	CH	M2-106

		JOB NO.	35366
		SCALE	DATE
TITLE	1250-D-750P, 152" BODY, LS&RS FL HGT FRT&RR FDLR 45" SIDE CONTROL, (2) 1.5" CROSSLAYS, DELUGE	DRAWN BY	JLA
FOR	ROCKY TOP FIRE DEPARTMENT LAKE CITY, TENNESSEE	CHECKED BY	RWI
DWG NO.	35366AD	SHEET SIZE	SHEET NO.
		D	1 OF 1