

Pumper, PUC BODY

Pumper, PUC, Aluminum

CHASSIS

Enforcer Chassis, PUC

CHASSIS AXLE, FRONT, CUSTOM

18,000 Lb TAK-4 Axle

AXLE, REAR

27,000 Lb Meritor Axle

ENGINE

400 HP Cummins L9 Engine

TRANSMISSION

Allison 5th Gen, 3000 EVS P

BUMPER

22" Extended Stainless Steel, Underslung

CAB

7010 Enforcer Cab, PUC

BODY

WATER TANK

750 Gallon Poly Water Tank

COMPT, PUMPER, REAR

50.50" FF RollUp Rear Compt w/Tailboard, PUC

COMPT, PUMPER, LEFT SIDE

189" RollUp Full Height & Depth Front & Rear, PUC

COMPT, PUMPER, RIGHT SIDE

189" RollUp Full Height & Depth Front & Rear, PUC

FIRE SUPPRESSION PUMPHOUSE

Control Zone, PUC

PUMP

1500 GPM Pierce PUC

CROSSLAYS, 1.50"

(2) 1.50", Poly Trays, 200"

CROSSLAYS, 2.50"

2.50" Crosslay Not Required

GENERATOR

CTF Honda 6500W Gas Generator

Foam System

External Foam System

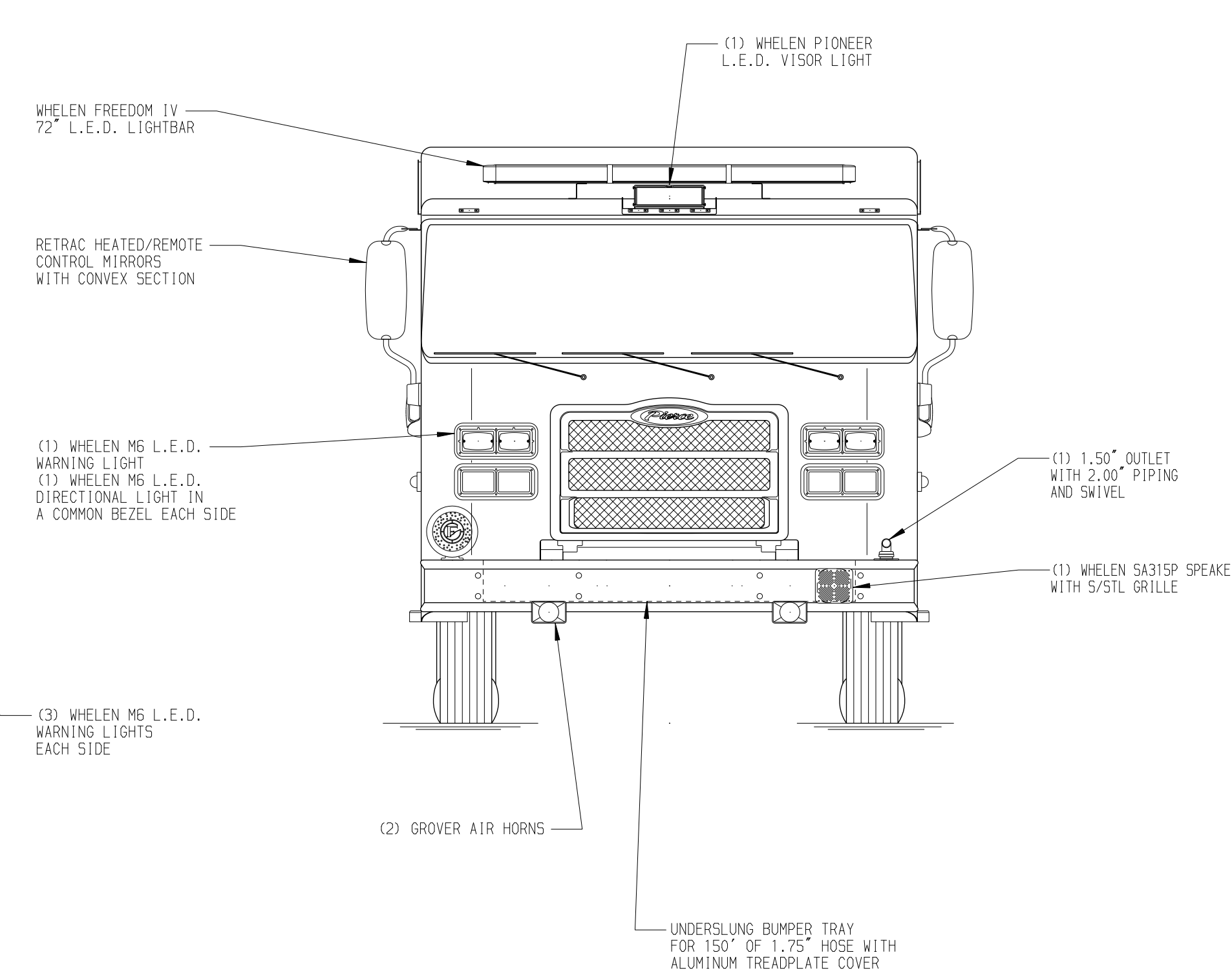
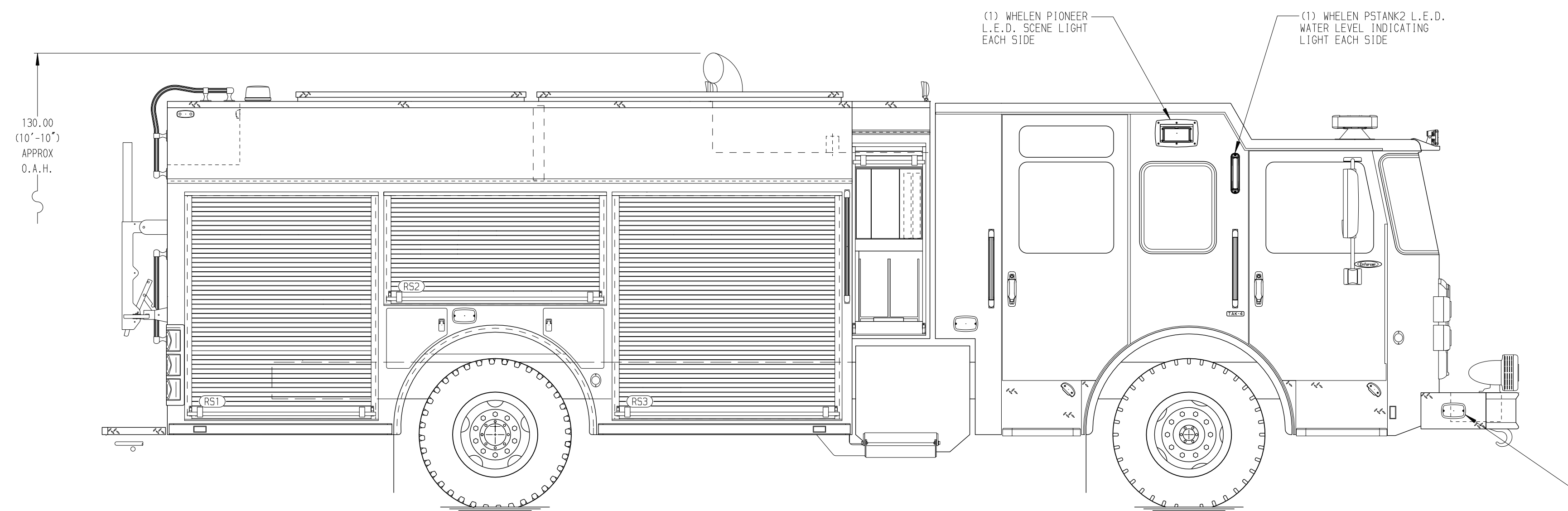
Foam Cell

30 Gallon Foam Cell, Not Reduced Water, PUC

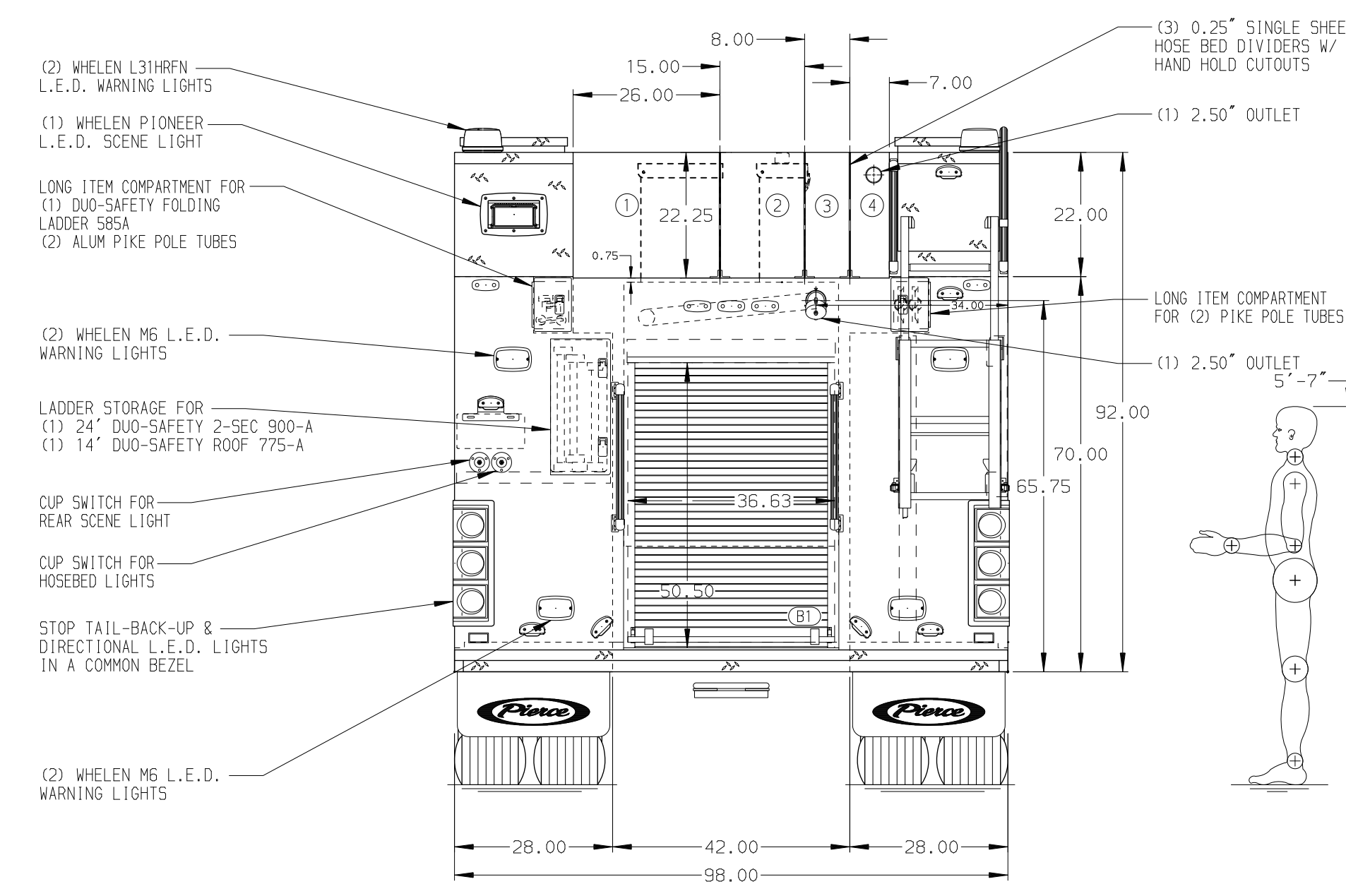
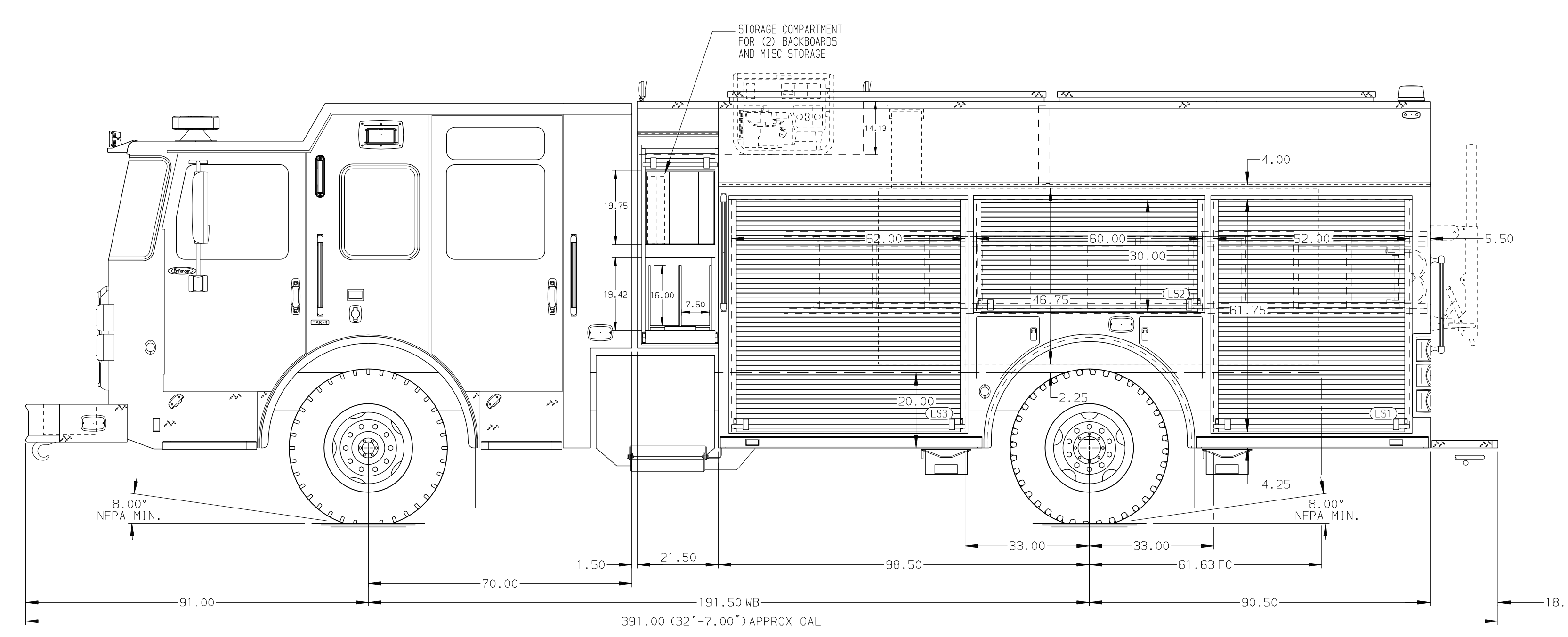
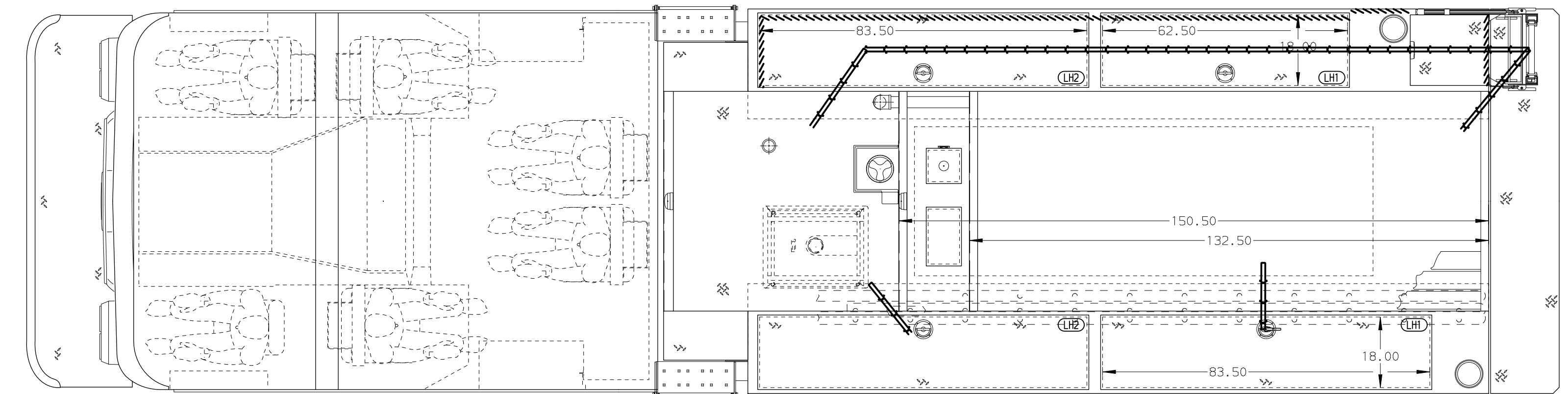
NOTE
DIMENSIONS SHOWN ARE APPROXIMATE AND ARE SUBJECT TO MINOR DEVIATIONS AS MAY OCCUR OR BE NECESSARY IN CONSTRUCTION. MINOR DETAILS NOT SHOWN.

1. SHORELINE RECEPTACLE WITH KUSSMAUL SUPER AUTO-EJECT LOCATED ON DRIVER SIDE OF THE CAB
2. AIR INLET WITH DISCONNECT COUPLING LOCATED ON DRIVER SIDE PUMP PANEL
3. NINE ADJUSTABLE SHELVES LOCATED PER SHOP ORDER
4. TWO FLOOR MOUNTED SLIDE-OUT TRAYS LOCATED PER SHOP ORDER
5. ONE ADJUSTABLE SLIDE-OUT TRAY LOCATED PER SHOP ORDER
6. ONE TILTING/SLIDE-OUT TRAY LOCATED PER SHOP ORDER
7. ONE SLIDE-OUT TOOLBOARD LOCATED PER SHOP ORDER
8. SEALED PARTITIONS BETWEEN COMPARTMENTS L51/B1 & RS1/B1

9. ONE VERTICAL PARTITION LOCATED PER SHOP ORDER
10. VANNER LIFESTAR POWER INVERTER/BATTERY CHARGER LOCATED PER SHOP ORDER
11. CIRCUIT BREAKER PANEL LOCATED PER SHOP ORDER



HOSEBED CAPACITY	
BED 1	900' OF 5.00" D.J. POLY HOSE
BED 2	200' OF 2.50" D.J. POLY HOSE
BED 3	300' OF 2.50" D.J. POLY HOSE
BED 4	250' OF 2.50" D.J. POLY HOSE



		JOB NO.	35353		
		SCALE	DATE		
TITLE	Pierce PUC Pumper Approval Drawing		DRAWN BY	COL	29JUL20
FOR	Ocoee Fire Department		CHECKED BY	NPE	3AUG20
DWG NO.	35353AD		SHEET SIZE	D	SHEET NO. 1 OF 1

REV	DATE	BY	CH	ENFORCER
27OCT20	COL	PPE	MAKE	CHASSIS DATA
23OCT20	MMF	CSH	PIERCE	
09SEP20	COL	PPE	MODEL	