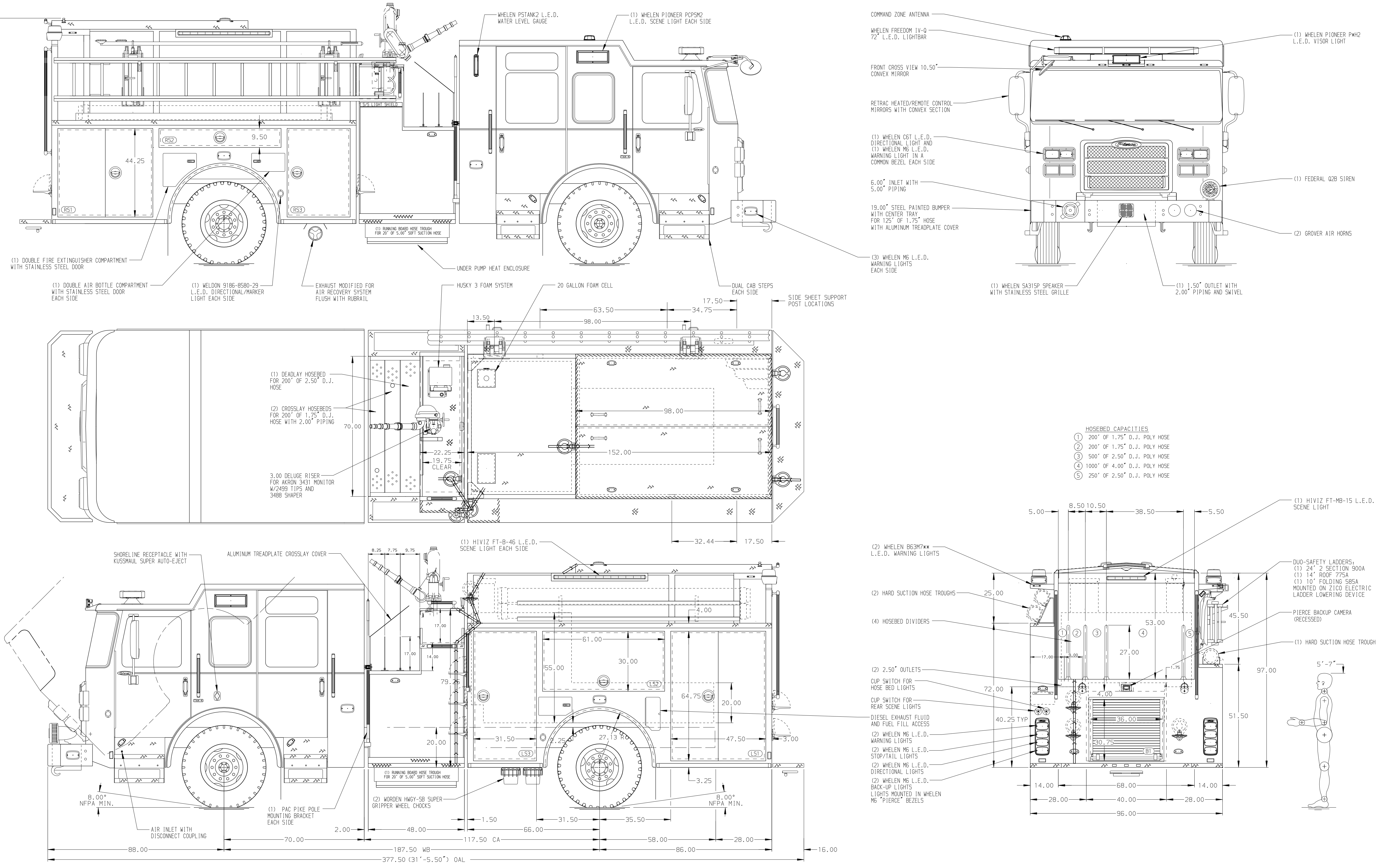


127.00
(10'-7")
APPROX
O.A.H.



- HOSEBED CAPACITIES**
- ① 200' OF 1.75\"/>

ALUMINUM BODY

SIDE ROLL AND FRONTAL IMPACT PROTECTION

NOTE
DIMENSIONS SHOWN ARE APPROXIMATE AND ARE SUBJECT TO MINOR DEVIATIONS AS MAY OCCUR OR BE NECESSARY IN CONSTRUCTION. MINOR DETAILS NOT SHOWN.

- 1. BATTERY CHARGER LOCATED IN BEHIND DRIVER'S SEAT
- 2. BATTERY CHARGER INDICATOR LOCATED ON DRIVER'S SEAT RISER
- 3. DUAL L.E.D. LIGHT STRIPS LOCATED IN HOSE BED
- 4. REVERSED HINGED DOOR ON COMPARTMENT L53
- 5. DRIP PAN GUARD FOR ROLL-UP DOOR LOCATED B1
- 6. ONE FULL WIDTH/DEPTH ADJUSTABLE SHELF IN COMPARTMENTS R51, TWO IN L51, L53, R53
- 7. SKING-OUT TOOL BOARD WITH PEGBOARD PATTERN IN COMPARTMENT L52
- 8. CTECH DRAWER ASSEMBLY IN COMPARTMENT L53

REV	DATE	BY	CH	ENFORCER
▽	08DEC20	JWO	DTS	MAKE
▽	28OCT20	JWO	DTS	PIERCE
▽	18SEP20	NPE	EGO	MODEL

		JOB NO.	35343
		SCALE	DATE
TITLE	1500-D-750P W/20G FOAM, 152", FULL HEIGHT FDLER DS BROOM PS, (3) X-LAYS, DELUGE	DRAWN BY	JWO 15SEP20
FOR	SANFORD FIRE DEPARTMENT SANFORD, MAINE	CHECKED BY	EGO 17SEP20
DWG NO.	35343AD	SHEET SIZE	SHEET NO.
		D	1 OF 1