

Pumper, PUC BODY

Pumper, PUC, Aluminum

CHASSIS

Impel Chassis, PUC

CHASSIS

AXLE, FRONT, CUSTOM

19,500 lb Meritor Axle

AXLE, REAR

27,000 lb Meritor Axle

ENGINE

450 HP Cummins L9 Engine

TRANSMISSION

Allison 5th Gen, 3000 EVS P

BUMPER

26" Extended Painted Underslung Bumper

CAB

8410 Impel FR Cab, PUC

BODY

WATER TANK

750 Gallon Poly Water Tank

COMPT, PUMPER, REAR

33.50" FF RollUp Rear Compt w/Tailboard, PUC

COMPT, PUMPER, LEFT SIDE

189" RollUp Full Height & Depth Front & Rear, PUC

COMPT, PUMPER, RIGHT SIDE

189" RollUp Full Height & Depth Front & Rear, PUC

FIRE SUPPRESSION

PUMPHOUSE

Control Zone, PUC

PUMP

1500 GPM Pierce PUC

CROSSLAYS, 1.50"

(2) 1.50", Poly Trays, 225"

CROSSLAYS, 2.50"

Not Required

GENERATOR

Generator Not Required

Foam System

Foam System Not Required

Foam Cell

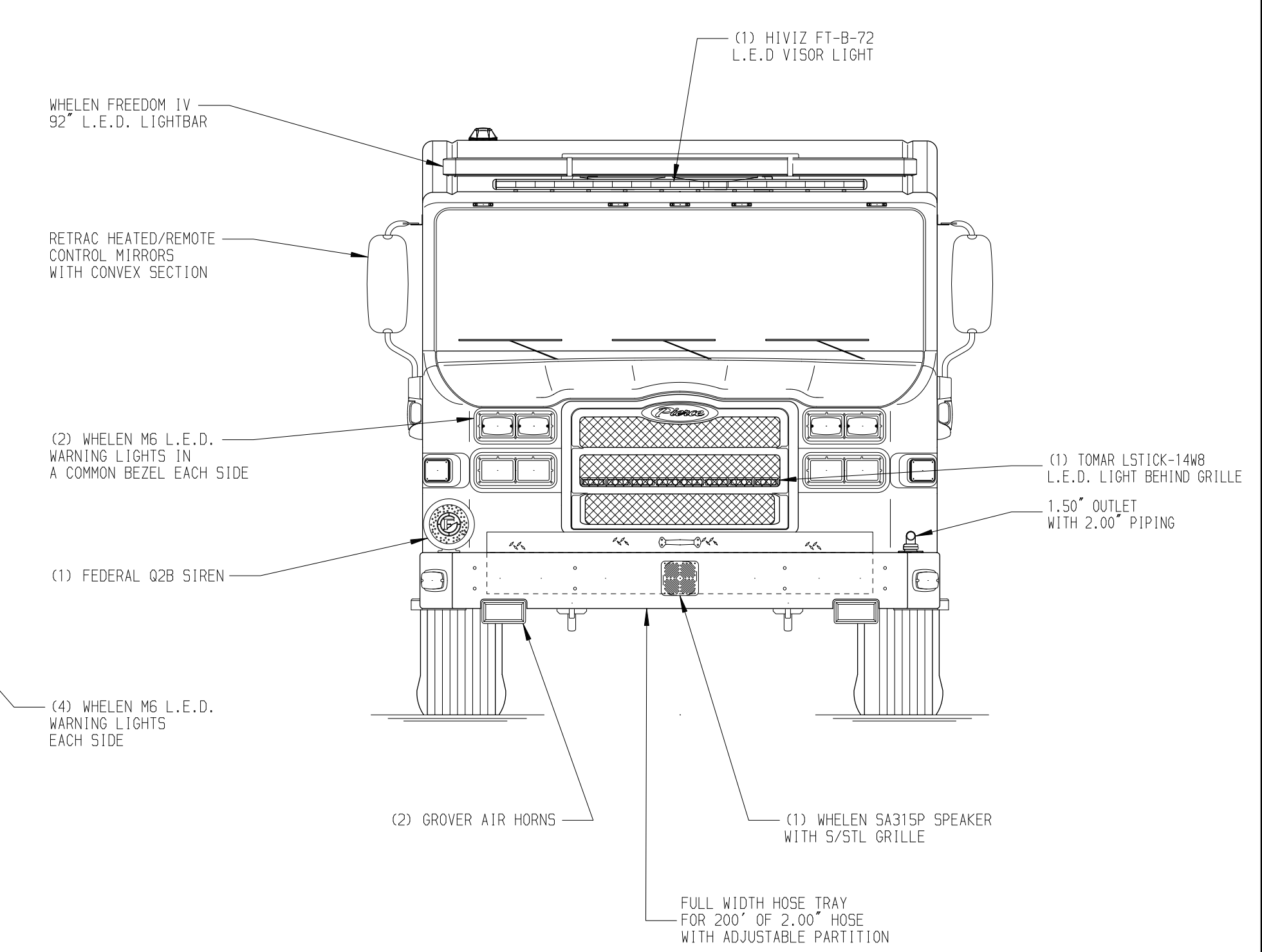
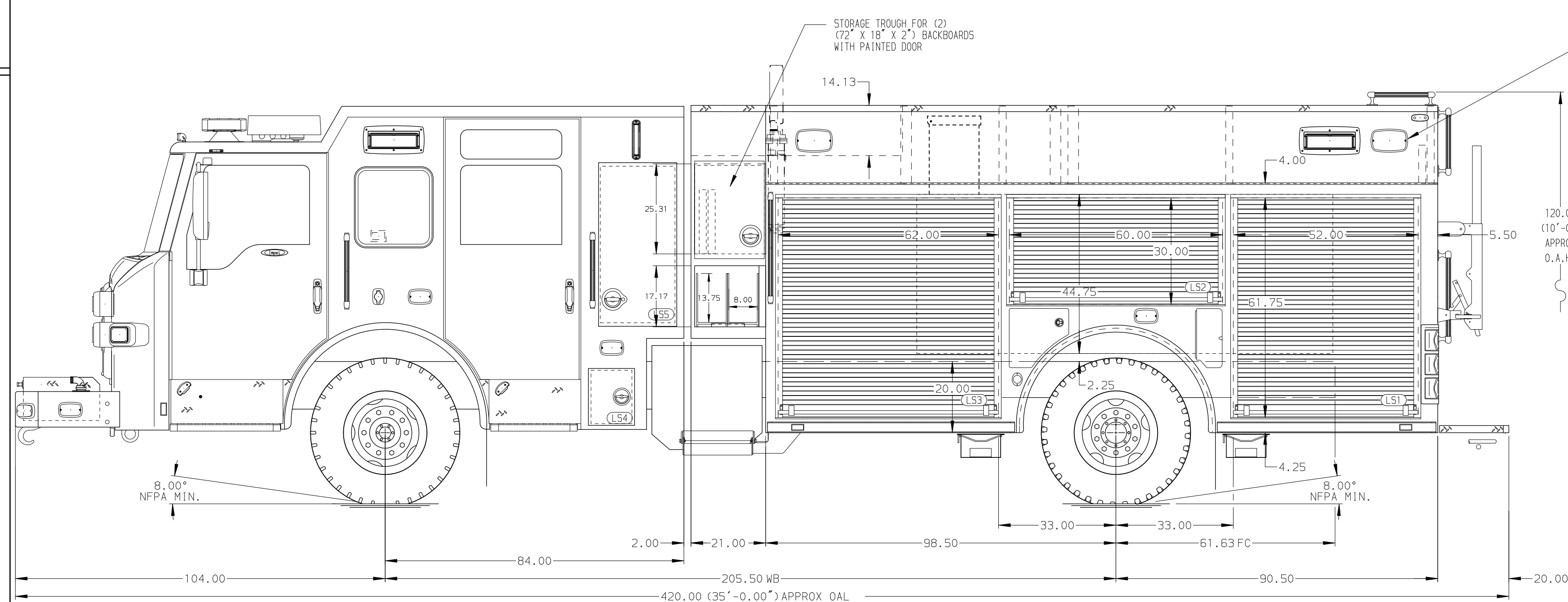
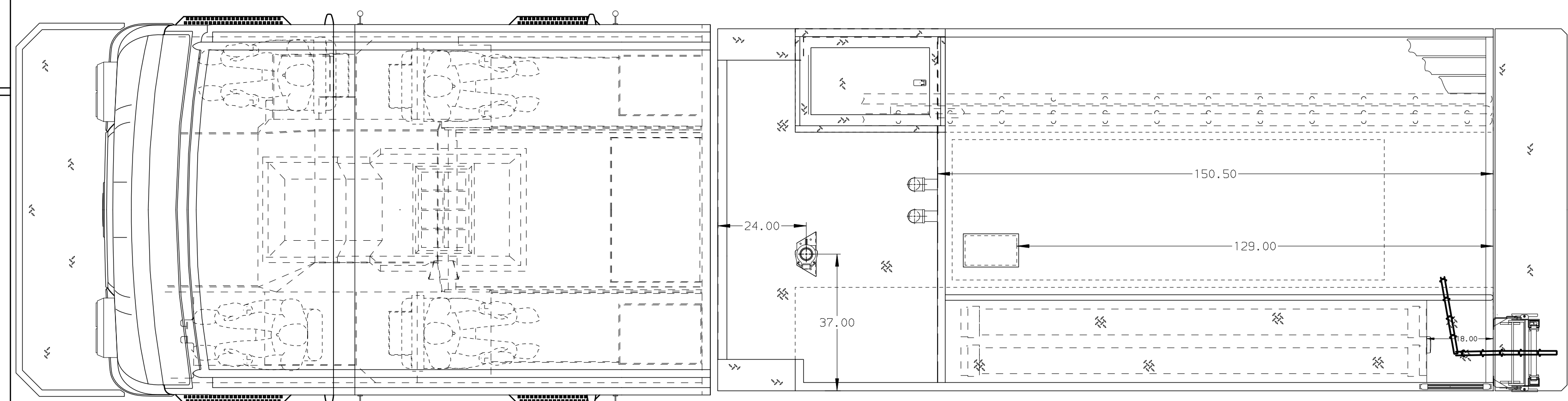
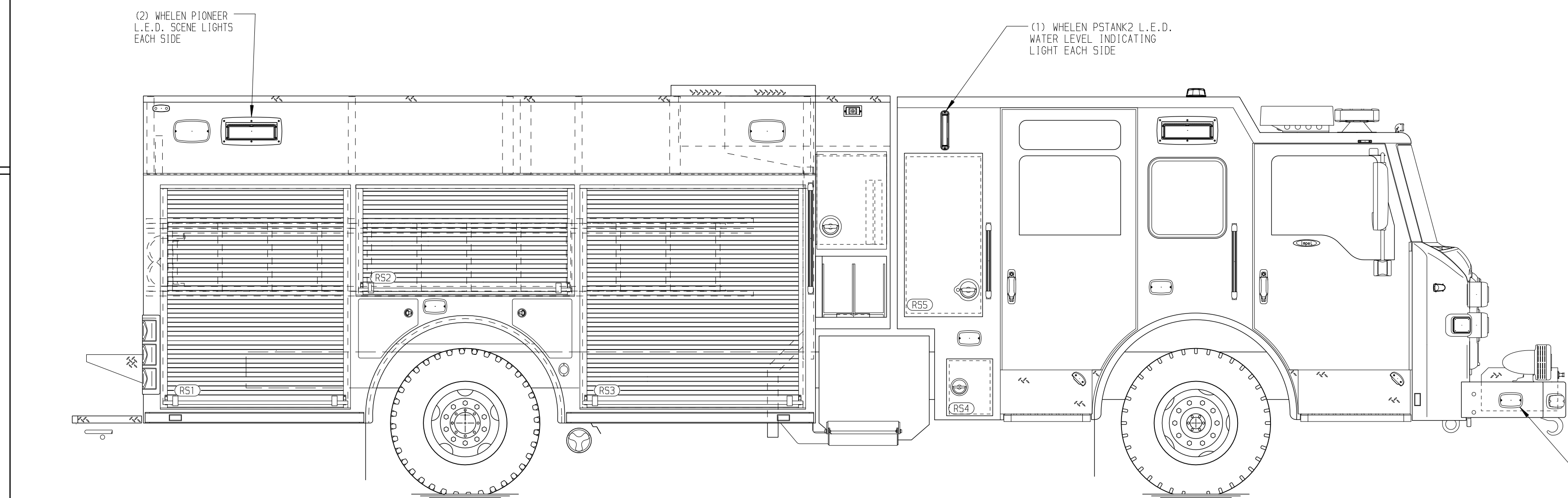
Foam Cell Not Required

Side Roll and Frontal Impact Protection

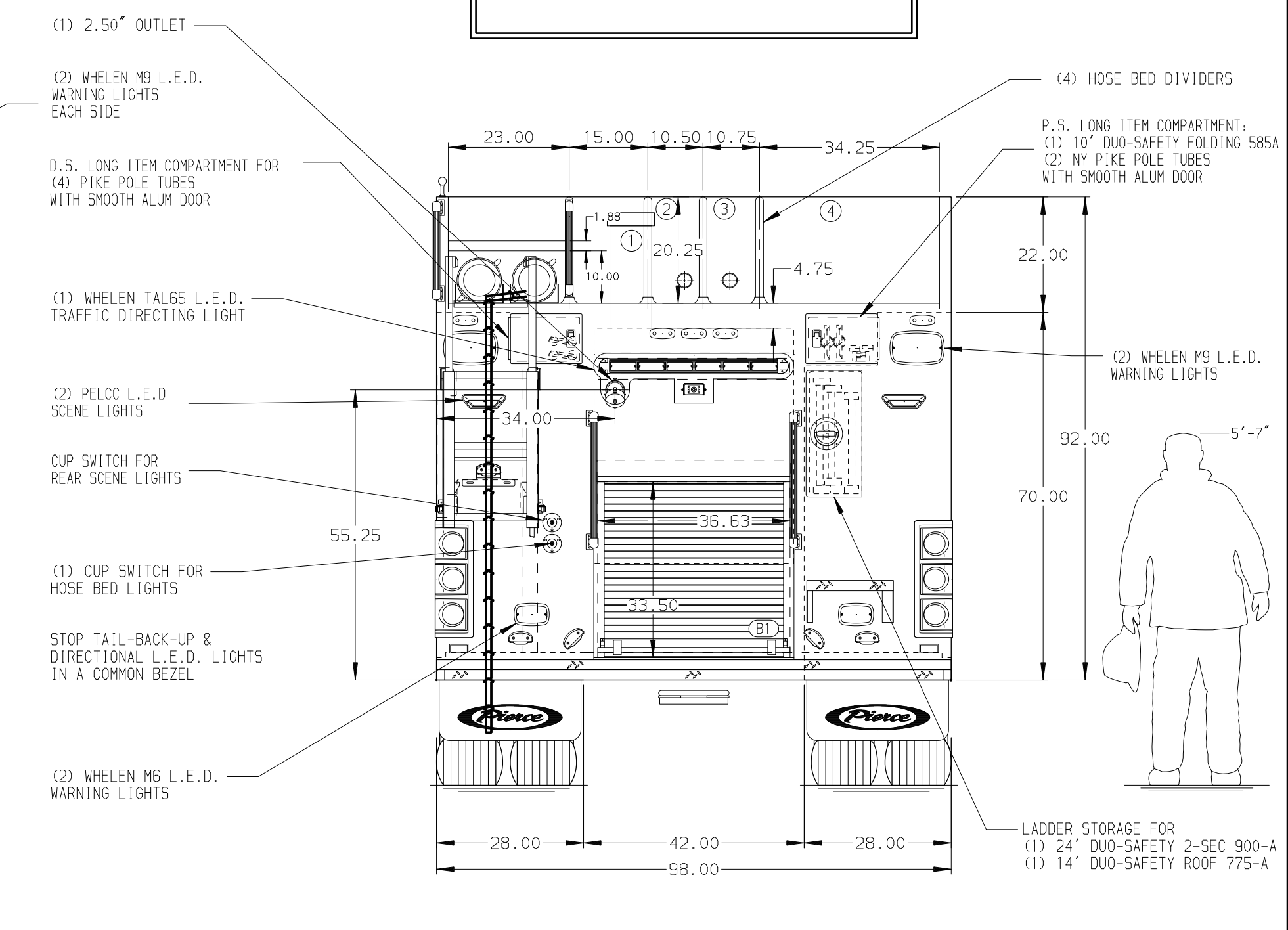
NOTE

DIMENSIONS SHOWN ARE APPROXIMATE AND ARE SUBJECT TO MINOR DEVIATIONS AS MAY OCCUR OR BE NECESSARY IN CONSTRUCTION. MINOR DETAILS NOT SHOWN.

1. SHORELINE RECEPTACLE WITH KUSSMAUL SUPER AUTO-EJECT LOCATED ON DRIVER SIDE OF THE CAB
2. AIR INLET WITH DISCONNECT COUPLING IN THE DRIVER SIDE STEPWELL
3. BATTERY CHARGER LOCATED BEHIND DRIVERS SEAT
4. BATTERY CHARGE INDICATOR DISPLAYED THROUGH DRIVER SIDE WINDOW
5. SIX ADJUSTABLE SHELVES IN COMPARTMENTS PER SHOP ORDER
6. THREE FLOOR MOUNTED SLIDE-OUT TRAY IN COMPARTMENT PER SHOP ORDER
7. FOUR SLIDE OUT TOOLBOARDS IN COMPARTMENT PER SHOP ORDER
8. ONE VERTICAL PARTITION IN COMPARTMENT PER SHOP ORDER



HOSEBED CAPACITY	
BED 1	800' OF 2.50" D.J. POLY HOSE
BED 2	250' OF 2.50" D.J. POLY HOSE
BED 3	250' OF 2.50" D.J. POLY HOSE
BED 4	1000' OF 5.00" D.J. POLY HOSE



CUSTOMER APPROVAL

APPROVED BY: _____
DATE: _____



JOB NO. 35338

SCALE 1:24 DATE

REV	DATE	BY	CH	IMPEL FR
03FEB21	MMF	COL	MAKE	
26OCT20	MMF	COL	PIERCE	
11SEP20	MMF	COL	MODEL	

TITLE Pierce PUC Pumper Approval Drawing
FOR St Cloud Fire Rescue Department
DWG NO. 35338AD

DRAWN BY	CHECKED BY	SHEET SIZE	SHEET NO.
MMF	NPE	D	1 OF 1