

**PUMPER  
BODY**

Long Aluminum 2nd Gen Pumper

**CHASSIS**

Sober FR Chassis

**CHASSIS  
AXLE, FRONT, CUSTOM**

20,000 Lb Dana Axle

**AXLE, REAR**

27,000 Lb Meritor Axle

**ENGINE**

450 HP Cummins L9 Engine

**TRANSMISSION**

Allison 5th Gen, 3000 EVS P

**BUMPER**

19" Extended Stainless Steel

**CAB**

7010 Sober FR Cab

**BODY**

**WATER TANK**

980 Gallon Poly Water Tank

**COMPT, PUMPER, REAR**

44.50" FF RollUp Rear Compt

**COMPT, PUMPER, LEFT SIDE**

161" RollUp Full Height Front & Rear FDLR

**COMPT, PUMPER, RIGHT SIDE**

161" RollUp Full Height Front & Rear FDLR

**FIRE SUPPRESSION  
PUMPHOUSE**

52" Control Zone Side Mount

**PUMP**

1500 GPM Waterous CSU

**CROSSLAYS, 1.50"**

(2) 1.50" Standard Capacity

**CROSSLAYS, 2.50"**

(1) 2.50" Standard Capacity

**SPEEDLAYS**

Speedlays Not Required

**GENERATOR**

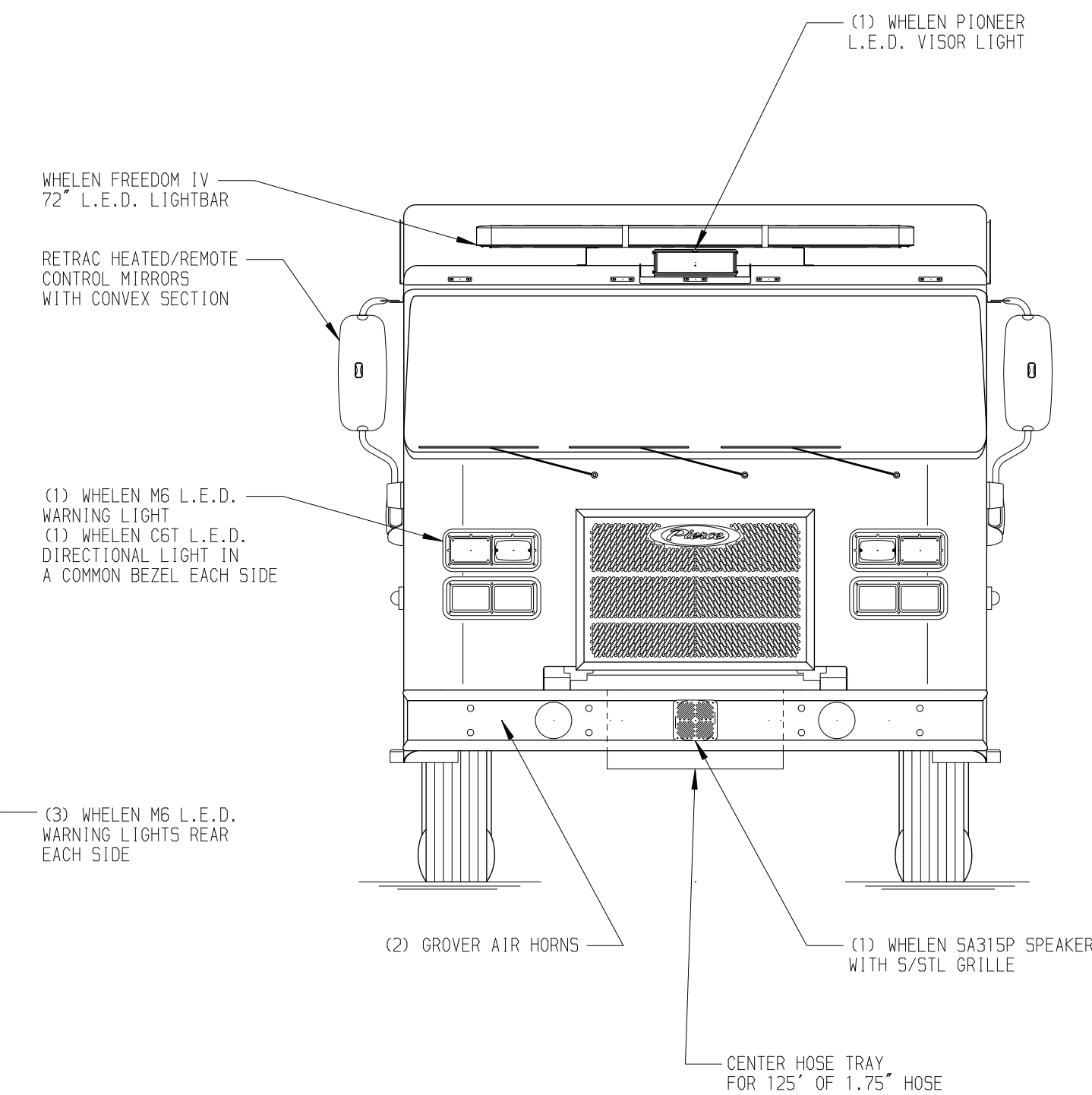
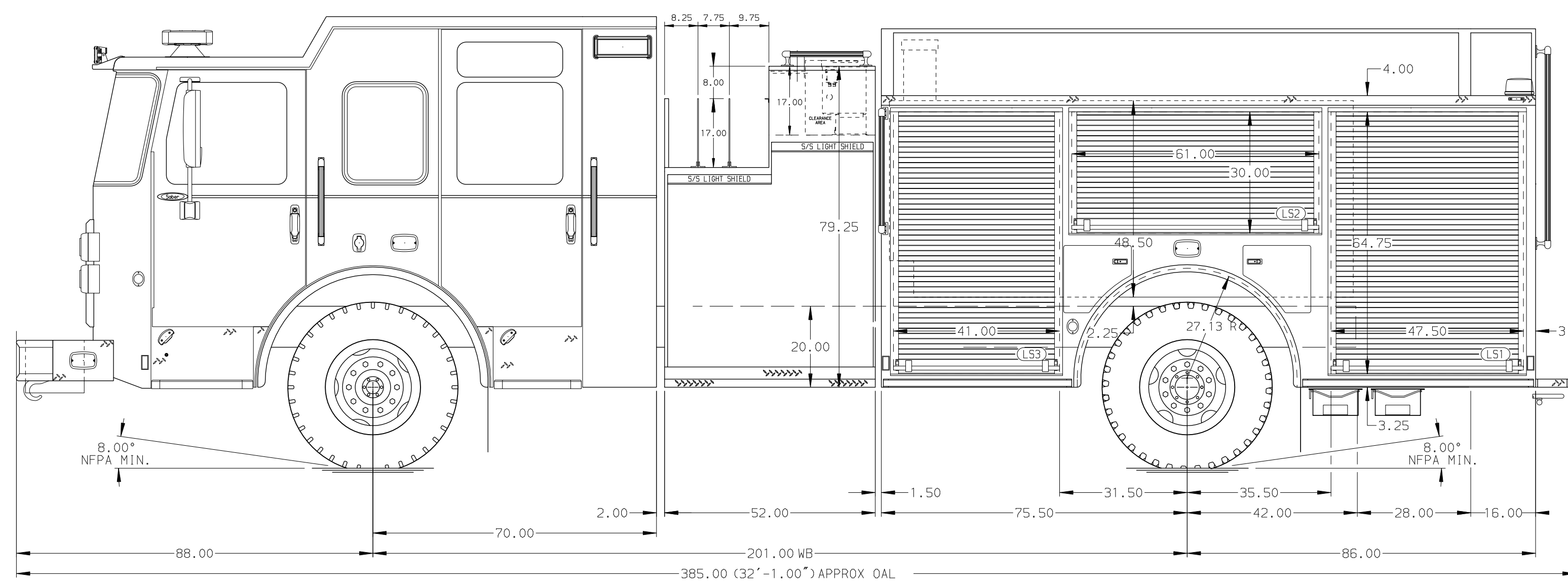
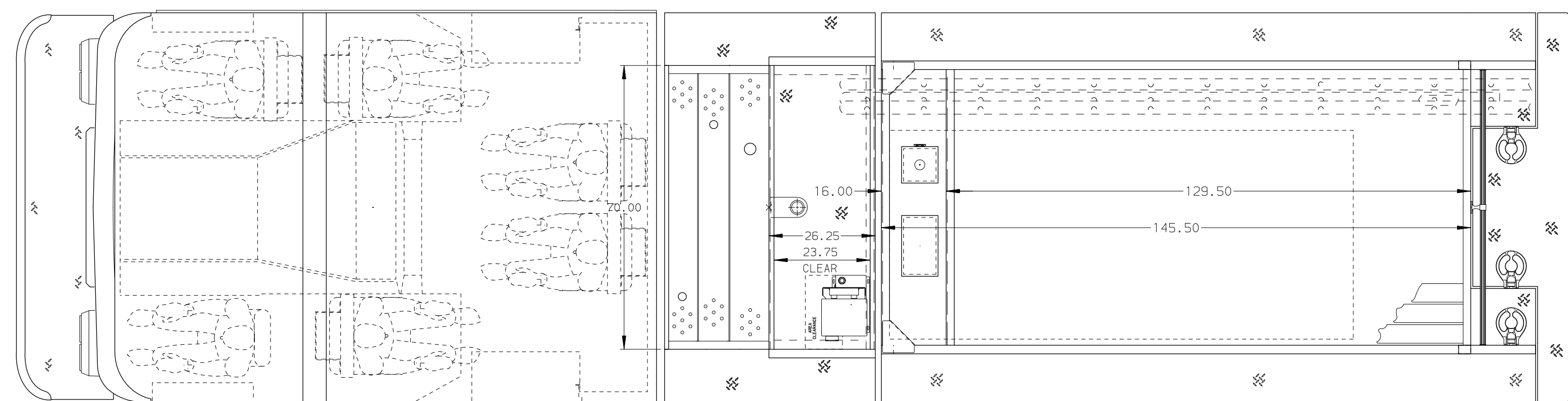
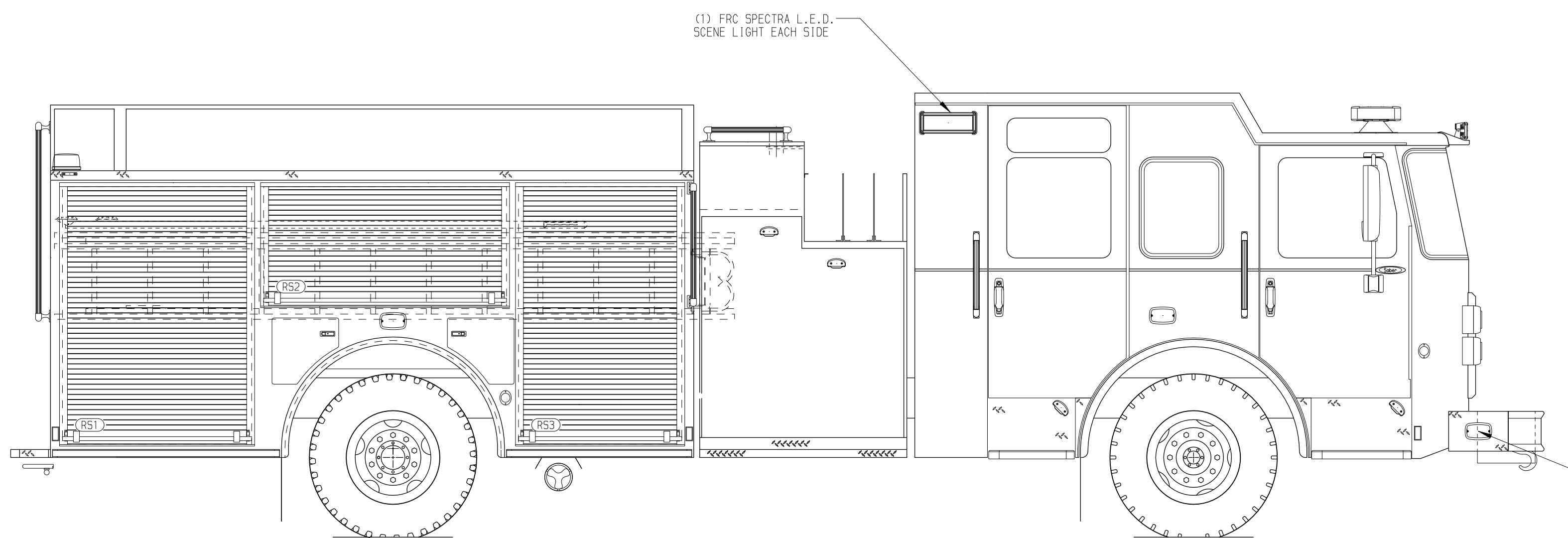
Generator Not Required

**Foam System**

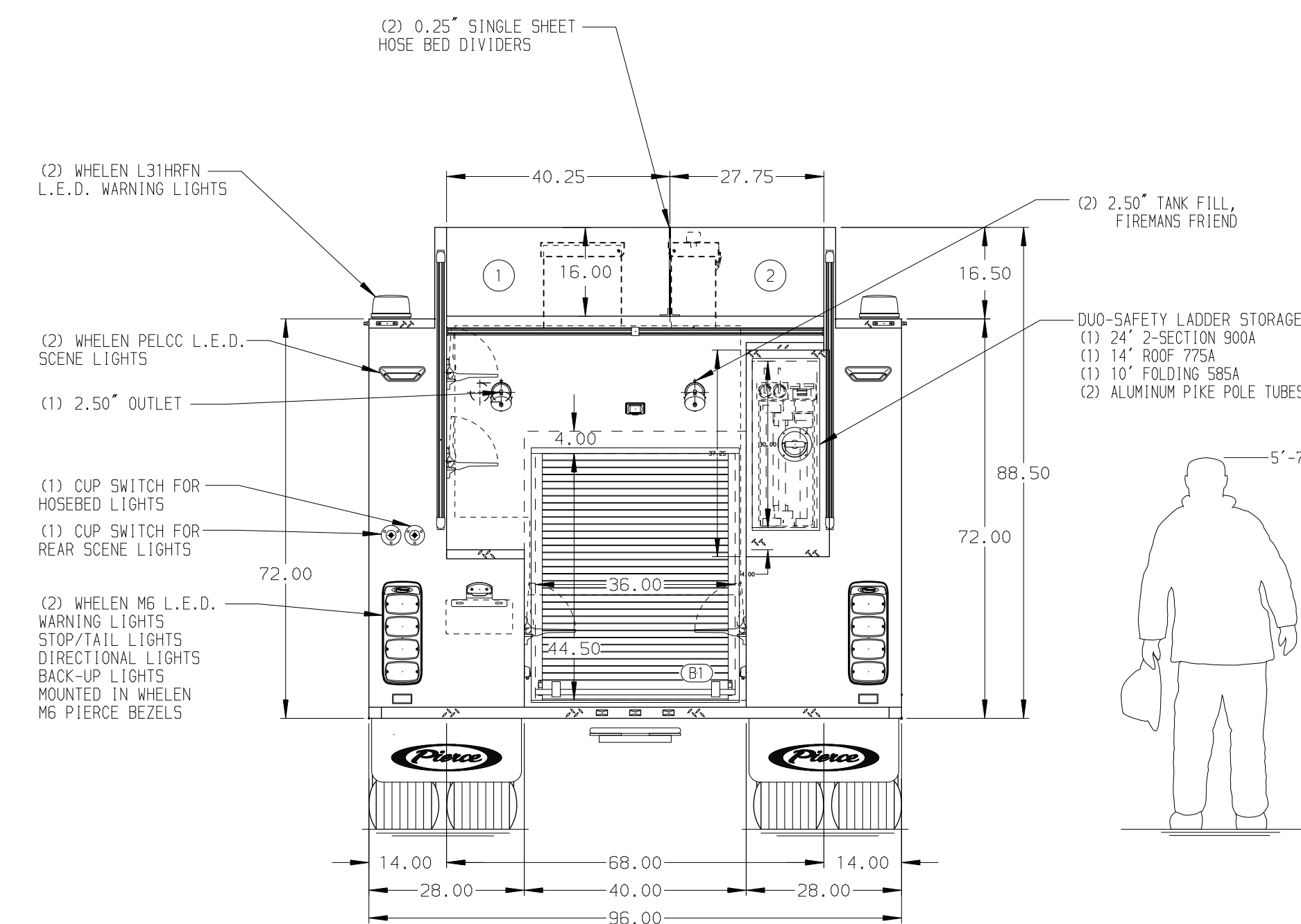
Husky 3 Single Agent Foam System

**Foam Cell**

20 Gallon Foam Cell, Reduced Water



HOSEBED CAPACITY	
<b>BED 1</b>	1000' OF 5.00" D.J. POLY HOSE
<b>BED 2</b>	600' OF 2.50" D.J. POLY HOSE



**NOTE**  
DIMENSIONS SHOWN ARE APPROXIMATE AND ARE SUBJECT TO MINOR DEVIATIONS AS MAY OCCUR OR BE NECESSARY IN CONSTRUCTION. MINOR DETAILS NOT SHOWN.

- ONE 1.50 OUTLET WITH 2.00 PIPING AND SHIVEL LOCATED IN CENTER BUMPER TRAY
- SHORELINE RECEPTACLE WITH KUSSMAUL SUPER AUTO-EJECT LOCATED ON DRIVER SIDE OF THE CAB
- AIR INLET WITH DISCONNECT COUPLING IN THE DRIVER SIDE STEPWELL
- BATTERY CHARGER LOCATED IN COMPARTMENT PER SHOP ORDER
- BATTERY CHARGE INDICATOR LOCATED ON THE DRIVER SIDE SEAT RISER
- ADJUSTABLE SHELVES IN COMPARTMENTS PER SHOP ORDER
- ONE FLOOR MOUNTED SLIDE-OUT TRAY IN COMPARTMENT PER SHOP ORDER
- MOUNTING PROVISIONS FOR FRONT INLET
- MOUNTING PROVISIONS FOR WILL BURT NIGH SCAN POWERLITE NS 3.0 10" ON CAB

REV	DATE	BY	CH	SABER FR
13JUL20	CRH	CAG		
24APR20	NPE	AZA		

<b>Pierce MANUFACTURING INC.</b>		JOB NO.	35318
TITLE		SCALE	DATE
Pierce Pumper Approval Drawing		1:24	
FOR		DRAWN BY	14APR20
Pierce Field Unit Appleton, Wisconsin		CHECKED BY	15APR20
DWG NO.		SHEET SIZE	SHEET NO.
35318AD		D	1 OF 1