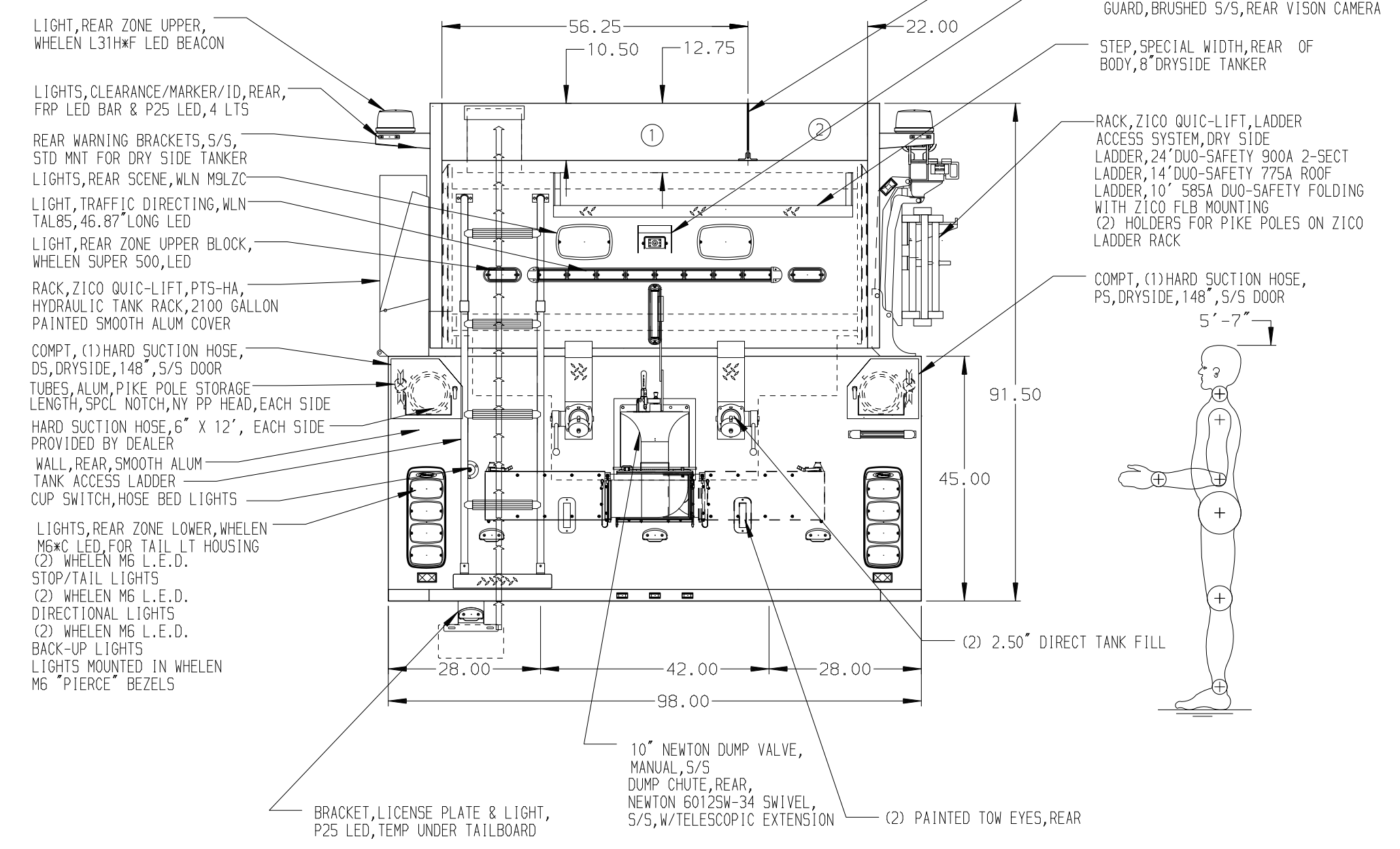
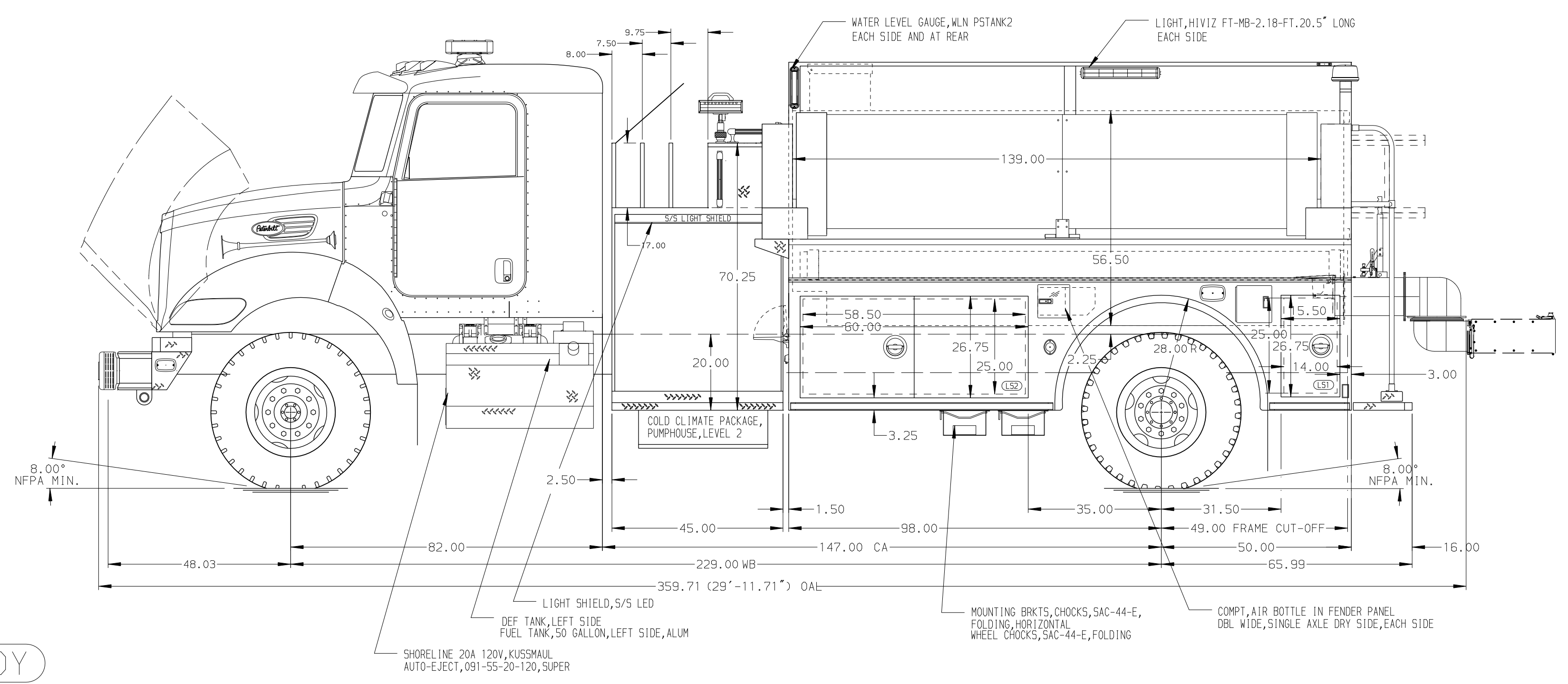


- HOSEBED CAPACITIES
- ① 1000' OF 5.00" D.J. POLYESTER HOSE
 - ② 500' OF 3.00" D.J. POLYESTER HOSE



ALUMINUM BODY

NOTE
DIMENSIONS SHOWN ARE APPROXIMATE AND ARE SUBJECT TO MINOR DEVIATIONS AS MAY OCCUR OR BE NECESSARY IN CONSTRUCTION. MINOR DETAILS NOT SHOWN.

REV	DATE	BY	CH	348
25JAN21	RHU	GSC		
18NOV20	JLA	GSC		
01OCT20	RHU	RW1		

Pierce MANUFACTURING INC.
BRADENTON, FLORIDA

JOB NO. 35305

SCALE 1:24 DATE

TITLE 1250-D-2000 POLY, 148' DRYSIDE BODY 45" SIDE CONTROL, (2) 1.5" & (1) 2.5" CROSSLAYS

FOR SPRINGWATER FIRE DISTRICT SPRINGWATER, NY

DRAWN BY RHU 02SEP20

CHECKED BY RW1 9SEP20

DWG NO. 35305AD

SHEET SIZE D SHEET NO. 1 OF 1