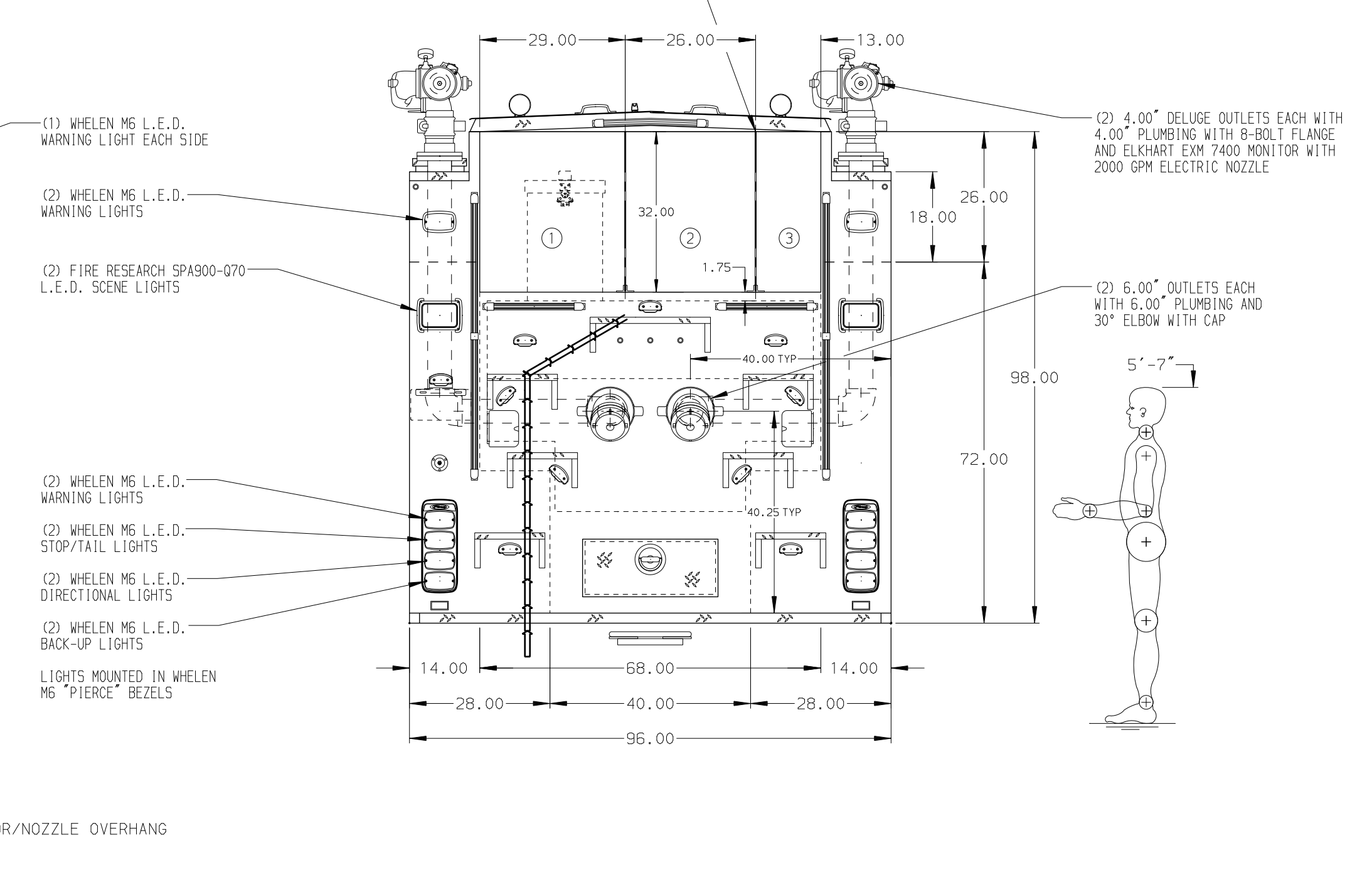
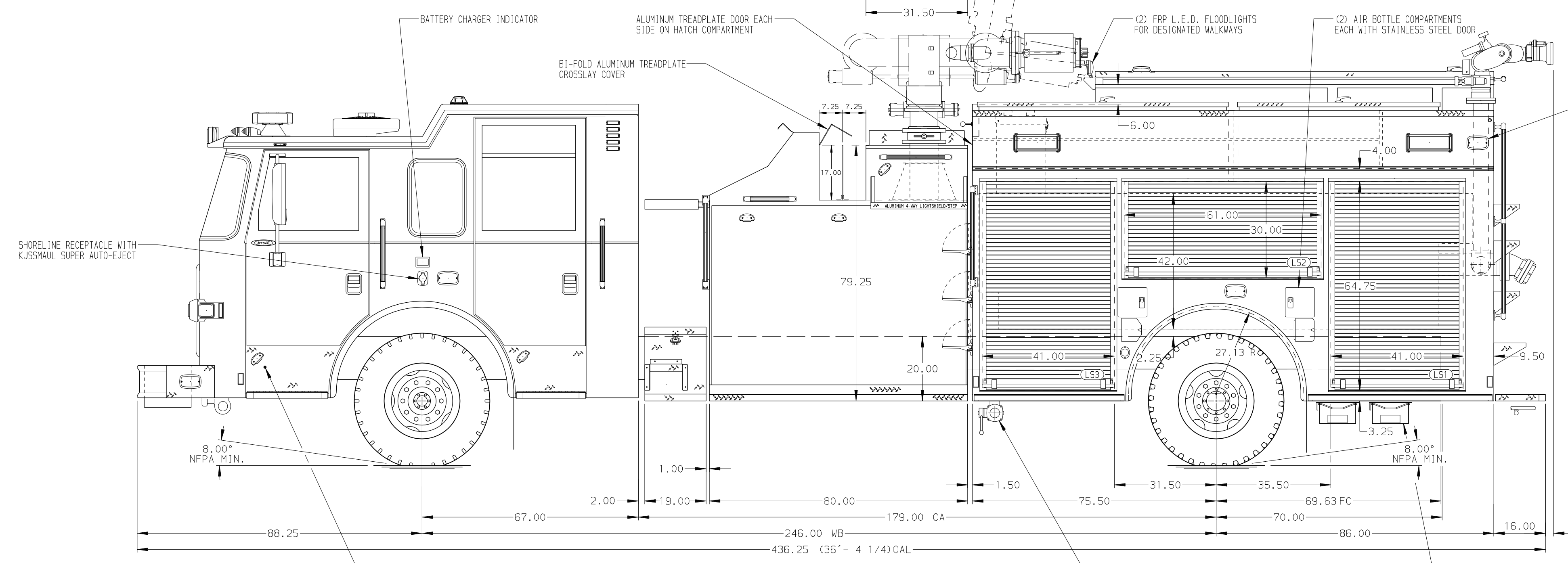


- HOSEBED CAPACITIES**
- ① 1000' OF 6.00" D.J. POLY HOSE
 - ② 1000' OF 5.00" D.J. POLY HOSE
 - ③ 500' OF 3.00" D.J. POLY HOSE



ALUMINUM BODY

MAXIMUM O.A.H. 138.00"

NOTE
DIMENSIONS SHOWN ARE APPROXIMATE AND ARE SUBJECT TO MINOR DEVIATIONS AS MAY OCCUR OR BE NECESSARY IN CONSTRUCTION. MINOR DETAILS NOT SHOWN.

1. BATTERY CHARGER/COMPRESSOR LOCATED BEHIND DRIVER'S SEAT
2. ONE FULL WIDTH/DEPTH ADJUSTABLE SHELF IN COMPARTMENTS LS1, LS3, RS1 AND RS3
3. CTECH DRAWER ASSEMBLY IN COMPARTMENT LS3
4. ONE FLOOR MOUNTED SLIDE-OUT TRAY IN COMPARTMENTS LS1 AND RS1
5. HOSE STORAGE WITH ADJUSTABLE PARTITIONS IN COMPARTMENT RS3
6. MIC AND SPEAKER COMPARTMENT IN FRONT WALL OF PUMP MODULE
7. PAC TRAC ON BACK WALL OF COMPARTMENTS LS3 AND RS3
8. 120V DUPLEX RECEPTACLE IN COMPARTMENT LS2

REV	DATE	BY	CH	ARROW-XT
02FEB21	JRO	AZA		
16NOV20	JRO	AZA		

		JOB NO.	35294
		SCALE	DATE
TITLE	3000-1250 GALLON FOAM TANK, 161" BODY, TOP MOUNT CROSSLAYS, 4" REAR MONITORS, 8" AMBASSADOR MONITOR	DRAWN BY	JRO
FOR	KINDER MORGAN CORPORATION CARTERET, NEW JERSEY	CHECKED BY	AZA
DWG NO.	35294AD	SHEET SIZE	SHEET NO.
		D	1 OF 1