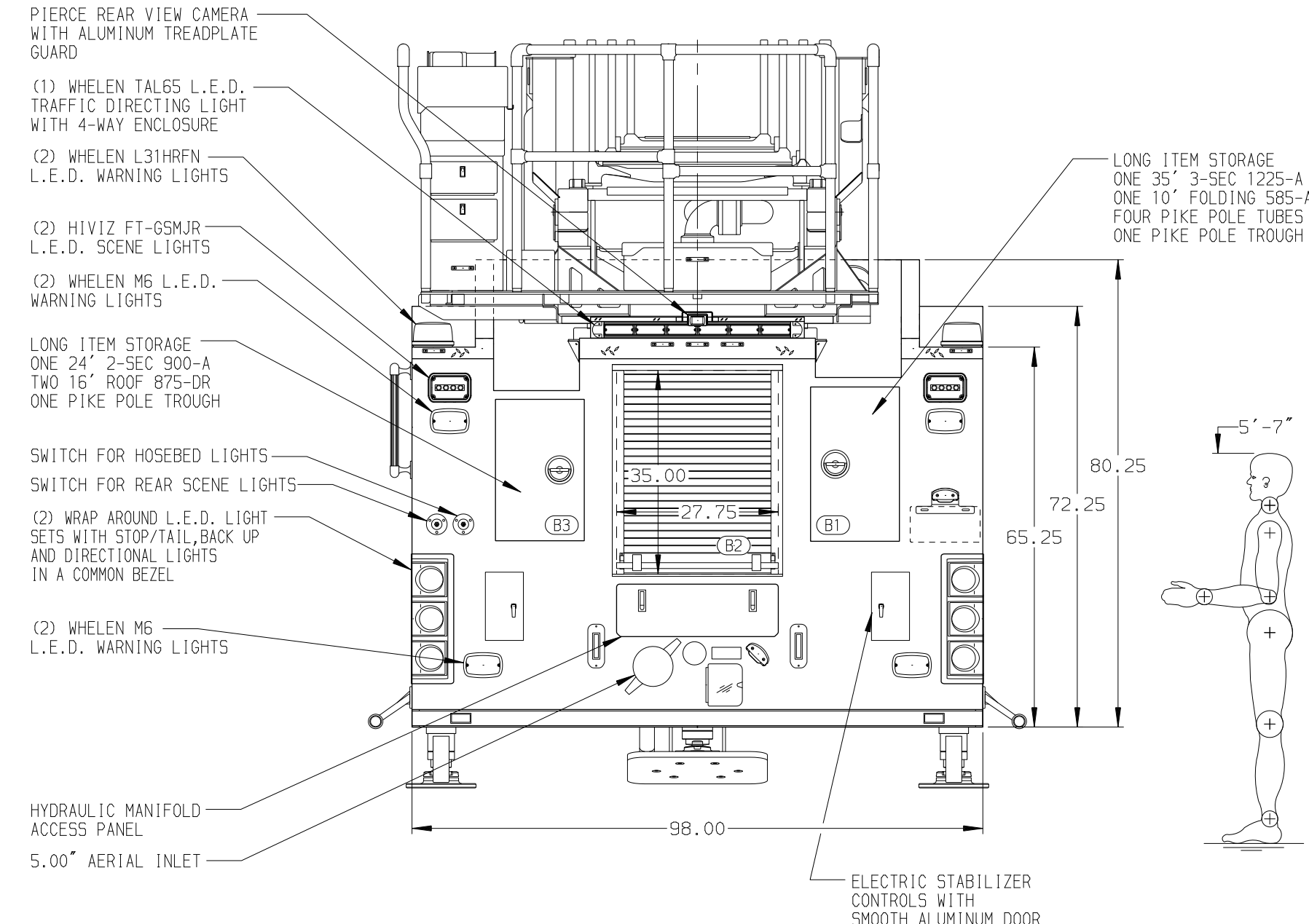
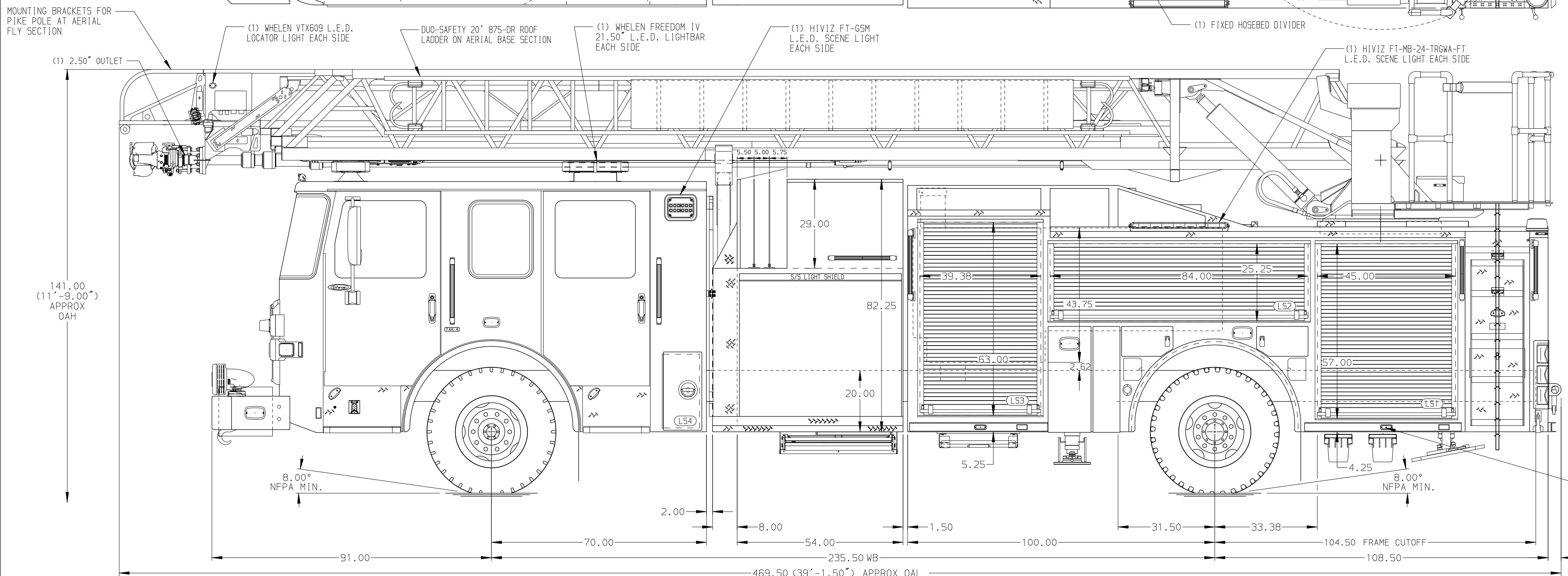
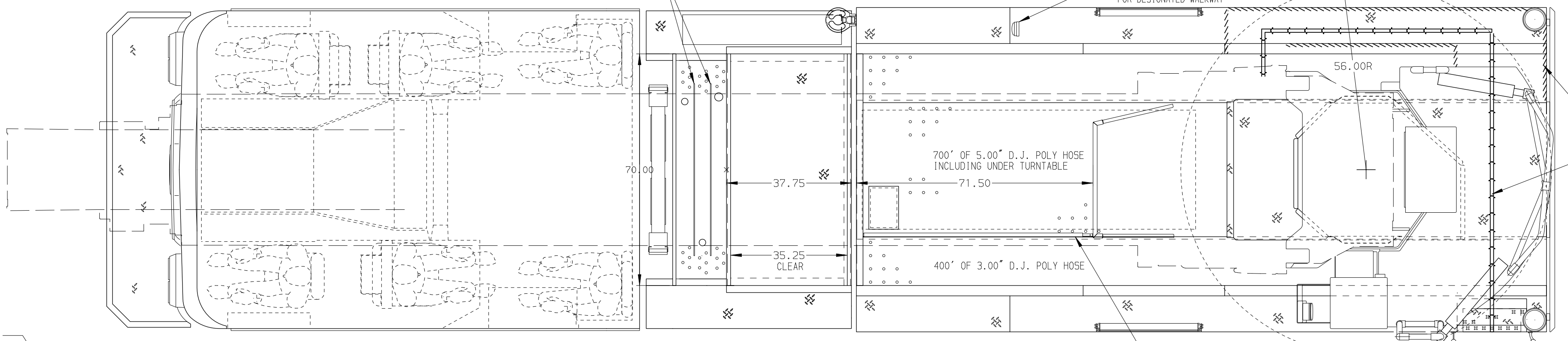


- TEMPORARY VENT SAW SCABBARD
- HIVIZ FT-WL-X-9 TIP AND TRACKING LIGHT EACH SIDE
- (2) WHELEN FREEDOM IV 21.50" L.E.D. LIGHTBARS
- FRONT CROSS VIEW 8.00" CONVEX MIRROR
- RETRAC HEATED/REMOTE CONTROL MIRRORS WITH CONVEX SECTION WITH STAINLESS STEEL MOUNTING BASE COVER
- (1) WHELEN M6 L.E.D. WARNING LIGHT AND (1) WHELEN 600 L.E.D. WARNING LIGHT IN A COMMON BEZEL EACH SIDE
- (2) WHELEN 600 SERIES L.E.D. DIRECTIONAL/MARKER LIGHTS
- (1) 1.50" OUTLET WITH 2.00" PIPING AND SWIVEL
- (1) 1.50" OUTLET WITH 2.00" PIPING AND SWIVEL
- (2) WHELEN M4 L.E.D. WARNING LIGHT EACH SIDE
- (2) WHELEN M6 L.E.D. WARNING LIGHTS EACH SIDE
- (1) 1.50" OUTLET WITH 2.00" PIPING AND SWIVEL
- (1) FEDERAL Q2B SIREN
- (2) GROVER AIR HORNS
- (2) WHELEN SA315P SPEAKERS WITH 5/8" GRILLE

BODY	WATER TANK
107' ASL Aluminum Body	500 Gallon Poly Water Tank
COMPT, LEFT SIDE FRONT	Foam System
Full Height RollUp Forward	Foam System Not Required
COMPT, LEFT SIDE REAR	Foam Cell
Full Height RollUp Rearward	Foam Cell Not Required
COMPT, RIGHT SIDE FRONT	
Full Height RollUp Forward	
COMPT, RIGHT SIDE REAR	
Full Height RollUp Rearward	



- PIERCE REAR VIEW CAMERA WITH ALUMINUM TREADPLATE GUARD
- (1) WHELEN TALE5 L.E.D. TRAFFIC DIRECTING LIGHT WITH 4-WAY ENCLOSURE
- (2) WHELEN L31HRFN L.E.D. WARNING LIGHTS
- (2) HIVIZ FT-65MJR L.E.D. SCENE LIGHTS
- (2) WHELEN M6 L.E.D. WARNING LIGHTS
- LONG ITEM STORAGE ONE 24' 2-SEC 900-A TWO 16' ROOF 875-DR ONE PIKE POLE TROUGH
- SWITCH FOR HOSEBED LIGHTS
- SWITCH FOR REAR SCENE LIGHTS
- (2) WRAP AROUND L.E.D. LIGHT SETS WITH STOP/TAIL, BACK UP AND DIRECTIONAL LIGHTS IN A COMMON BEZEL
- (2) WHELEN M6 L.E.D. WARNING LIGHTS
- HYDRAULIC MANIFOLD ACCESS PANEL
- 5.00" AERIAL INLET
- ELECTRIC STABILIZER CONTROLS WITH SMOOTH ALUMINUM DOOR EACH SIDE
- LONG ITEM STORAGE ONE 35' 3-SEC 1225-A ONE 10' FOLDING 585-A FOUR PIKE POLE TUBES ONE PIKE POLE TROUGH
- (2) WORDEN HIGY-SB SUPER GRIPPER WHEEL CHOCKS

MAXIMUM O.A.H. 141.00" (11'-9")

CHASSIS Enforcer Chassis 525 HP DD13 Engine	CAB 7000 Enforcer Cab 22" Extended Painted Steel	AXLE, FRONT, CUSTOM 22,800 Lb TAK-4 Axle AXLE, REAR 33,500 Lb Meritor Axle	TRANSMISSION Allison 5th Gen, 4500 EVS P	PUMPHOUSE 54" Control Zone Side Mount PUMP 1500 GPM Waterous CSU	CROSSLAYS, 1.50" (2) 1.50" Standard Capacity, Single Stacked CROSSLAYS, 2.50" (1) 2.50" Standard Capacity, Single Stacked	SPEEDLAYS SpeedLays Not Required GENERATOR Generator Not Required	SAFETY Side Roll and Frontal Impact Protection
NOTE DIMENSIONS SHOWN ARE APPROXIMATE AND ARE SUBJECT TO MINOR DEVIATIONS AS MAY OCCUR OR BE NECESSARY IN CONSTRUCTION. MINOR DETAILS NOT SHOWN.							
1. BLUE SEA SURE EJECT SHORELINE RECEPTACLE LOCATED IN THE DRIVER SIDE STEPPWELL 2. AIR INLET WITH DISCONNECT COUPLING LOCATED IN THE DRIVER SIDE STEPPWELL 3. AIR COMPRESSOR LOCATED IN COMPARTMENT PER SHOP ORDER 4. BATTERY CHARGER WITH PROTECTIVE COVER LOCATED IN COMPARTMENT PER SHOP ORDER 5. BATTERY CHARGER INDICATOR LOCATED ON DRIVER'S SEAT RISER 6. L.E.D. HOSE BED LIGHTS LOCATED PER SHOP ORDER 7. SEVEN ADJUSTABLE SHELVES IN COMPARTMENTS PER SHOP ORDER 8. ONE ADJUSTABLE SLIDE-OUT TRAY IN COMPARTMENT PER SHOP ORDER 9. TWO FLOOR MOUNTED SLIDE-OUT TRAYS IN COMPARTMENTS PER SHOP ORDER 10. ONE FLOOR MOUNTED SLIDE-OUT ALUMINUM PLATE FLAT TOP TRAY IN COMPARTMENT PER SHOP ORDER		11. ONE SWING-OUT TOOLBOARD IN COMPARTMENT PER SHOP ORDER 12. TWO SMOOTH ALUMINUM ON THE FLOOR OF COMPARTMENTS PER SHOP ORDER 13. ONE HANGER/POST IN COMPARTMENT PER SHOP ORDER 14. TWO VERTICAL PARTITIONS IN COMPARTMENTS PER SHOP ORDER 15. TWO HOSE STORAGE RACKS IN COMPARTMENT PER SHOP ORDER 16. ONE NYLON STRAP WITH VELCRO IN COMPARTMENT PER SHOP ORDER 17. ONE 120V 4-PLACE DUPLEX RECEPTACLE BOX LOCATED IN CAB PER SHOP ORDER 18. TWO 120V DUPLEX RECEPTACLES LOCATED IN COMPARTMENTS PER SHOP ORDER 19. NON-RAISED AERIAL PEDESTAL 20. 1500 GPM HIGH FLOW WATERWAY		21. LIFTING EYE ROPE RESCUE ATTACHMENT AT AERIAL TIP 22. NO LIMITED RETRACTION REQUIRED			

Pierce MANUFACTURING INC.		JOB NO.	35279
		SCALE	DATE
		1:24	04JUN20
		DRAWN BY	04JUN20
		TKA	JGO
		CHECKED BY	05JUN20
		CRI	
		SHEET SIZE	SHEET NO.
		D	1 OF 1

TITLE	107' ASCENDANT AERIAL LADDER AND BODY ASSEMBLY
FOR	TOWN OF KNIGHTDALE FIRE DEPARTMENT KNIGHTDALE, NORTH CAROLINA
DWG NO.	35279AD