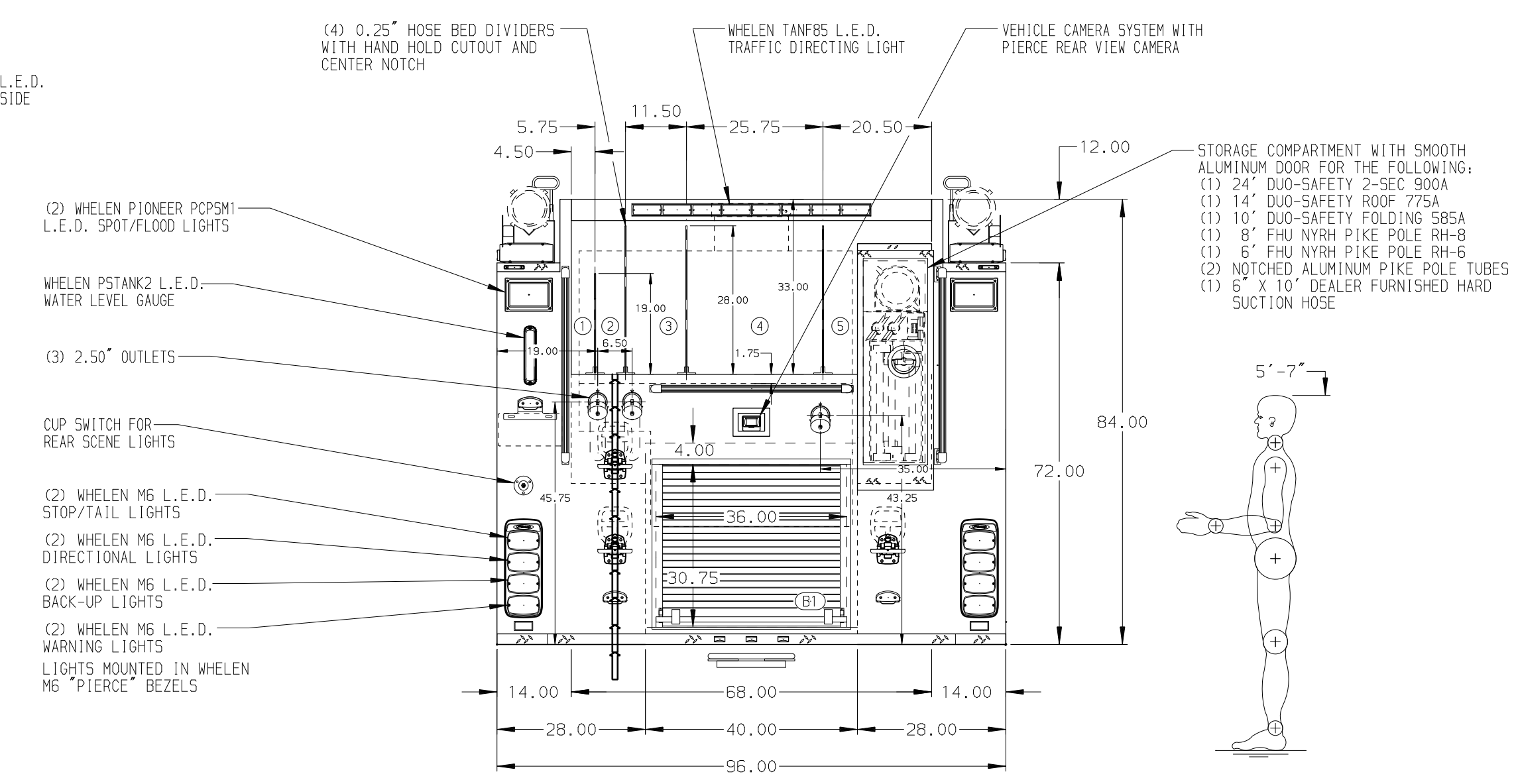
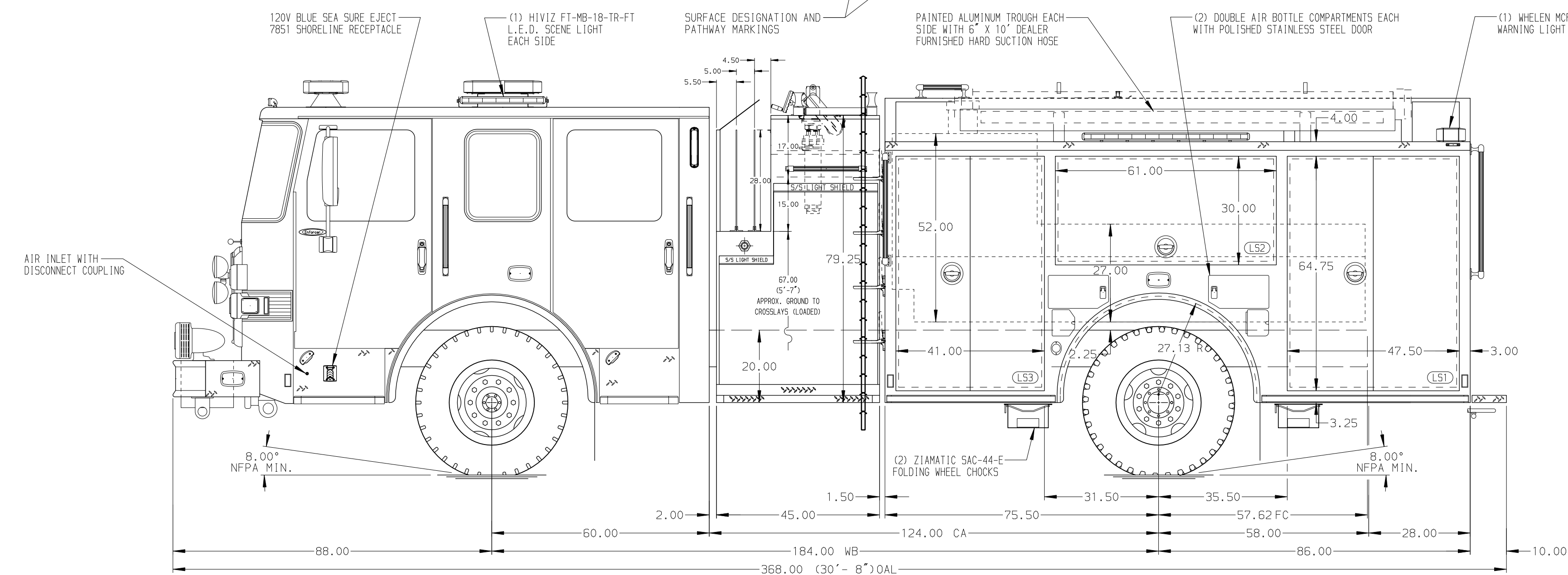


- HOSEBED CAPACITIES
- ① 200' OF 1.75" D.J. POLY HOSE
  - ② 200' OF 2.50" D.J. POLY HOSE
  - ③ 500' OF 3.00" D.J. POLY HOSE
  - ④ 1000' OF 5.00" D.J. POLY HOSE
  - ⑤ 250' OF 3.00" D.J. POLY HOSE



ALUMINUM BODY

SIDE ROLL AND FRONTAL IMPACT PROTECTION

NOTE  
DIMENSIONS SHOWN ARE APPROXIMATE AND ARE SUBJECT TO MINOR DEVIATIONS AS MAY OCCUR OR BE NECESSARY IN CONSTRUCTION.  
MINOR DETAILS NOT SHOWN.

1. ONSPOT AUTOMATIC TIRE CHAINS TO BE PROVIDED AT REAR
2. BATTERY CHARGER LOCATED BEHIND DRIVER'S SEAT
3. BATTERY CHARGER INDICATOR LOCATED ON DRIVER'S SEAT RISER
4. DUAL L.E.D. LIGHT STRIPS LOCATED ON THE FRONT OF THE HOSEBED
5. EIGHT FULL WIDTH/DEPTH ADJUSTABLE SHELVES -THREE IN COMPARTMENT RS3, TWO IN COMPARTMENT RS1 AND ONE IN COMPARTMENTS LS1, LS3 AND RS2
6. ONE FULL WIDTH/DEPTH FLOOR MOUNTED SLIDE-OUT TRAY WITH SIDE SLIDES IN COMPARTMENTS RS1 AND RS1
7. SWING-OUT TOOL BOARD WITH PEGBOARD PATTERN IN COMPARTMENT LS2
8. THREE ADJUSTABLE VERTICAL PARTITIONS FOR HOSE STORAGE IN COMPARTMENT LS1
9. PAC TRAC ON BACK WALL OF COMPARTMENTS LS1 AND LS3

REV	DATE	BY	CH	ENFORCER
04FEB21	JRO	CSH		
08JAN21	JRO	CSH		

		JOB NO.	35266
		SCALE	1:24
TITLE 1500-750 WATER, 161" BODY, SIDE CONTROL, CROSSLAYS DELUGE, LADDER STORAGE COMPARTMENT, BOOSTER REEL		DRAWN BY	JRO
		CHECKED BY	KBO
FOR WEYERS CAVE VOLUNTEER FIRE COMPANY WEYERS CAVE, VIRGINIA		DWG NO.	35266AD
		SHEET NO.	1 OF 1