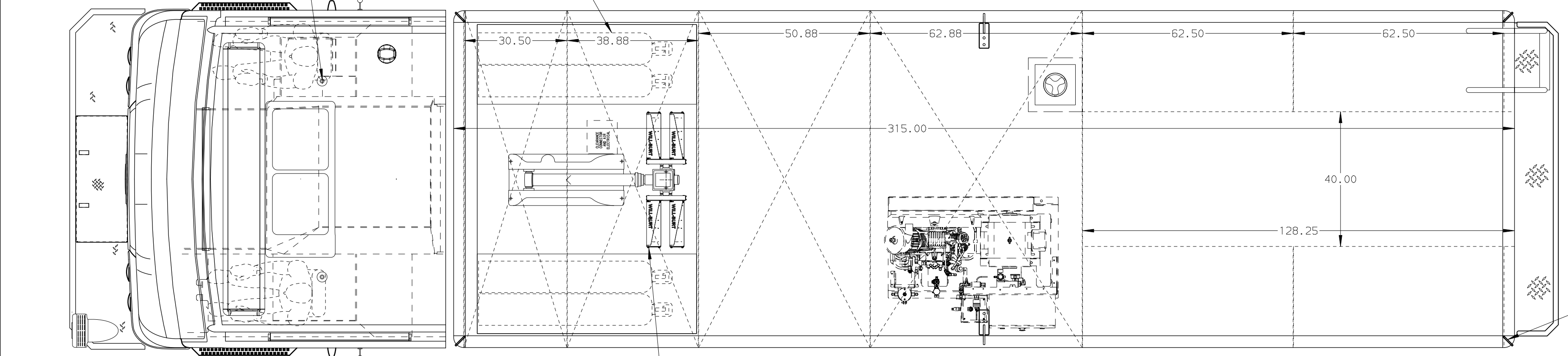
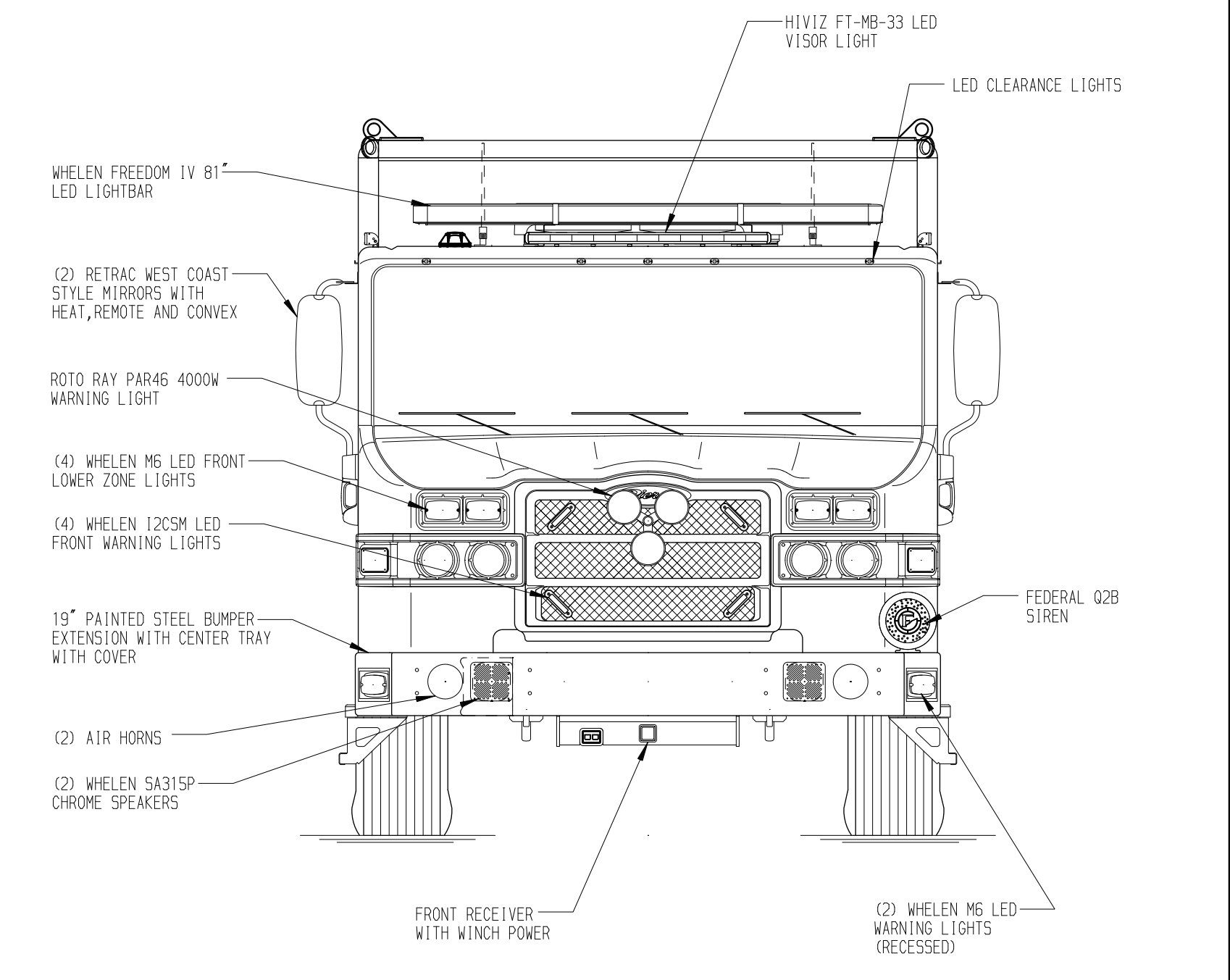
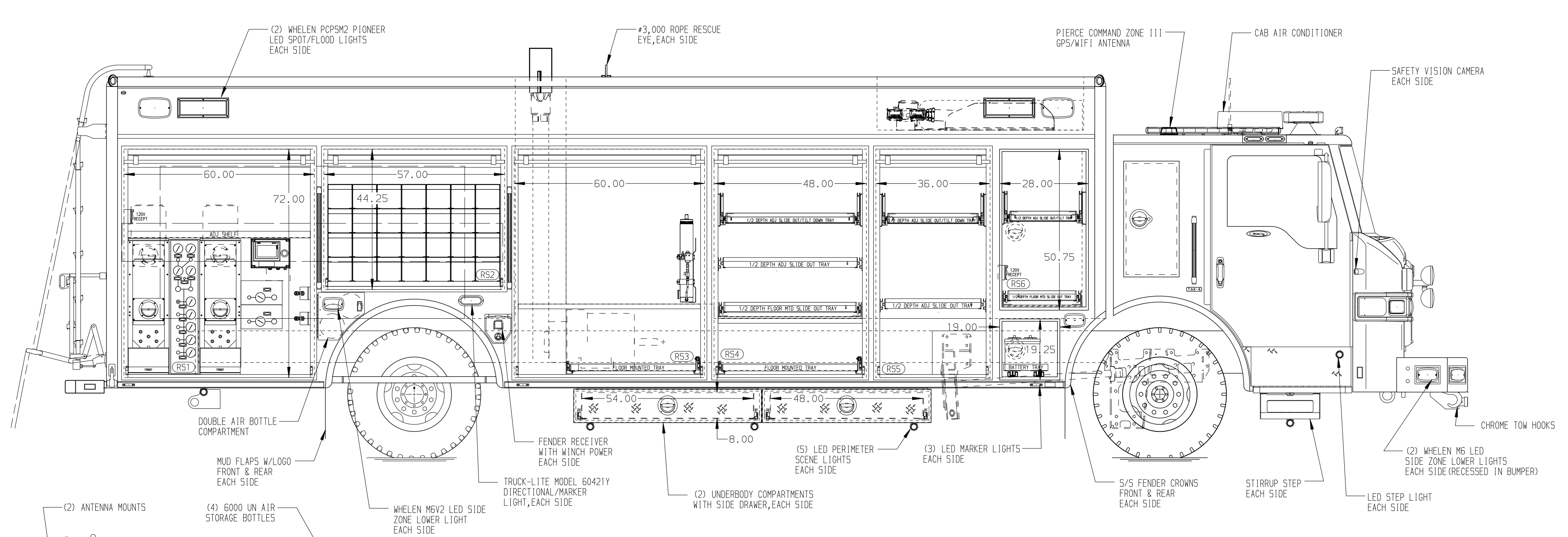
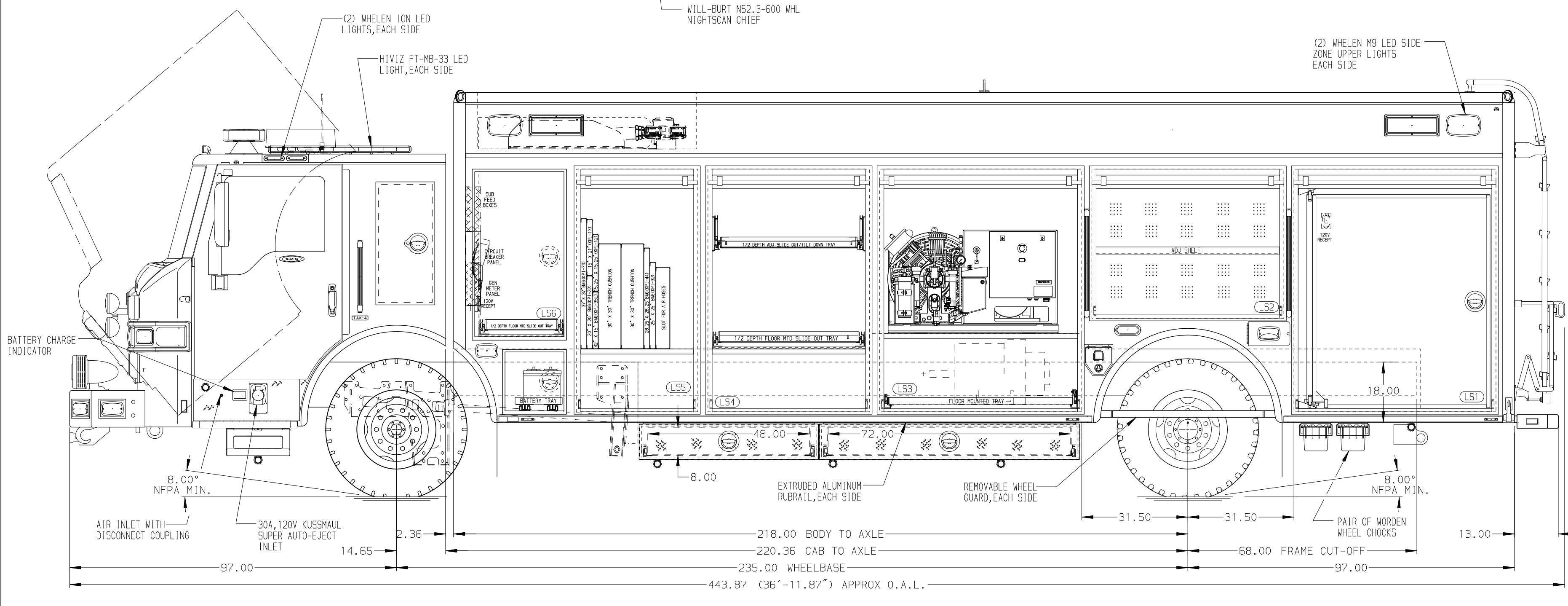


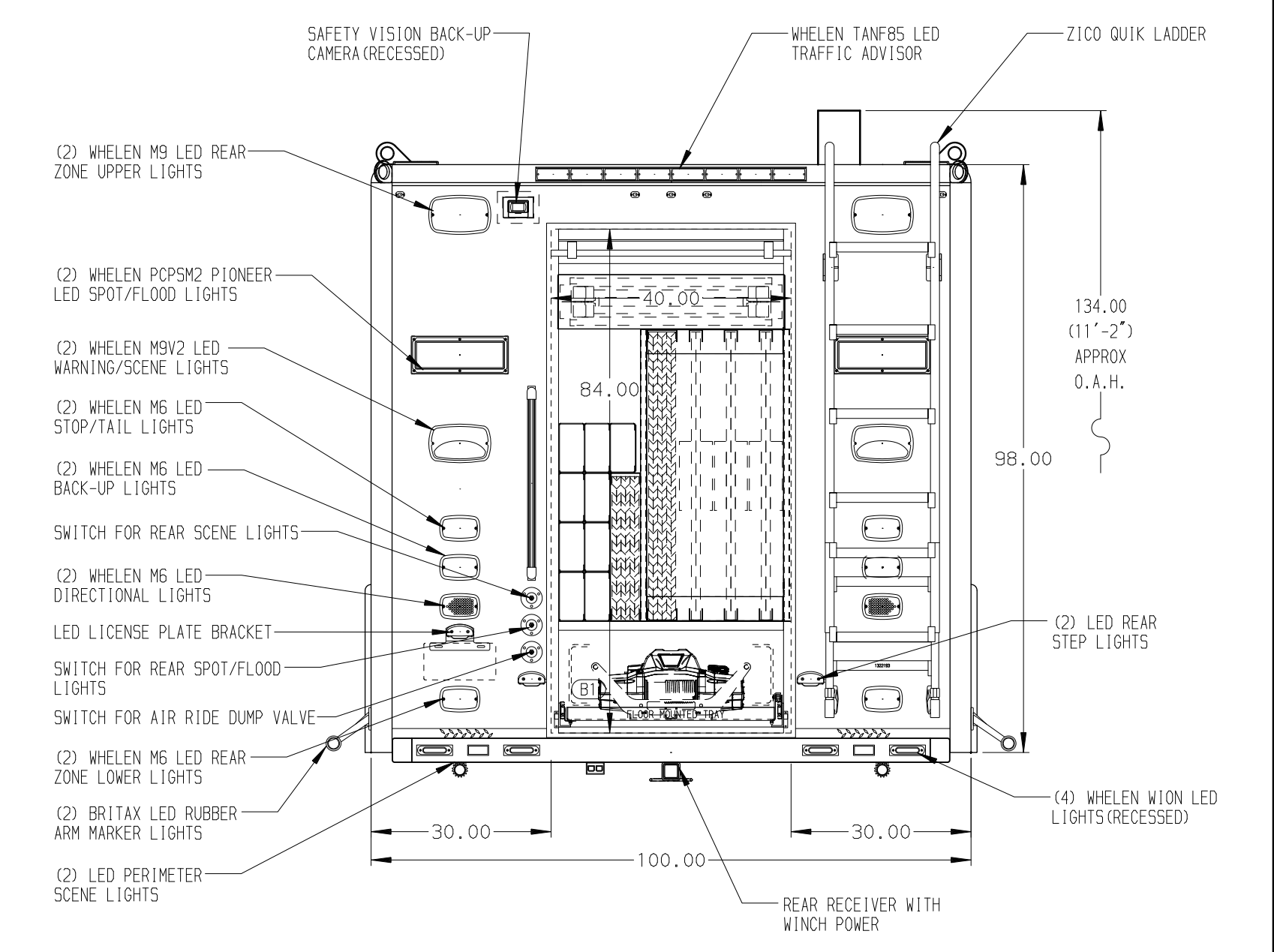
- RIGHT SIDE COMPARTMENTS CONTAIN THE FOLLOWING:**
- COMPARTMENT RS1 CONTAINS:**
    - (1) 15/20A, 120V DUPLEX RECEPTACLE
    - (1) CASCADE SYSTEM CONTROL PANEL
    - (2) SPACE SAVER 2-BOTTLE FILL ENCLOSURES
    - (2) LOW PRESSURE AIR CONTROL PANELS
    - (1) STD DEPTH ADJ SHELF
  - COMPARTMENT RS2 CONTAINS:**
    - (1) RACK FOR 28 SCBA BOTTLES
  - COMPARTMENT RS3 CONTAINS:**
    - (1) HORIZONTAL FLOOR EXTENSION
    - (1) FLOOR MOUNTED TRAY WITH SIDE SLIDES
    - (1) 1/2 DEPTH ADJ SLIDE OUT/TILT TRAY
    - (1) 1/2 DEPTH FLOOR MOUNTED TRAY
  - COMPARTMENT RS4 CONTAINS:**
    - (1) HORIZONTAL FLOOR EXTENSION
    - (1) FLOOR MOUNTED TRAY WITH SIDE SLIDES
    - (1) 1/2 DEPTH ADJ SLIDE OUT/TILT TRAY
    - (1) 1/2 DEPTH FLOOR MOUNTED TRAY
  - COMPARTMENT RS5 CONTAINS:**
    - (1) FLOOR MOUNTED TRAY WITH SIDE SLIDES
    - (1) 1/2 DEPTH ADJ SLIDE OUT/TILT TRAY
    - (1) 1/2 DEPTH ADJ SLIDE OUT TRAY
  - COMPARTMENT RS6 CONTAINS:**
    - (1) 1/2 DEPTH ADJ SLIDE OUT/TILT TRAY
    - (1) 15/20A, 120V DUPLEX RECEPTACLE
    - (1) 1/2 DEPTH FLOOR MOUNTED TRAY



- REAR COMPARTMENT CONTAINS THE FOLLOWING:**
- COMPARTMENT B1 CONTAINS:**
    - (1) HORIZONTAL FLOOR EXTENSION
    - (1) PLYWOOD/FIN FORM BOARD RACK
    - (1) RACK FOR HALF SHEETS OF PLYWOOD
    - (9) SLOTS FOR WALKERS 8' DEEP
    - (1) RACK FOR LITTLE GIANT SKY SCRAPER MODEL 17 LADDER
    - (1) FLOOR MOUNTED TRAY WITH SIDE SLIDES



- LEFT SIDE COMPARTMENTS CONTAIN THE FOLLOWING:**
- COMPARTMENT LS1 CONTAINS:**
    - (1) SWING OUT TOOLBOARD WITHOUT HOLES
    - (1) 15/20A, 120V DUPLEX RECEPTACLE
    - PEGBOARD ON BACK WALL OF COMPARTMENT
  - COMPARTMENT LS2 CONTAINS:**
    - PEGBOARD ON BACK WALL OF COMPARTMENT
    - (1) STD DEPTH ADJ SHELF
  - COMPARTMENT LS3 CONTAINS:**
    - (1) HORIZONTAL FLOOR EXTENSION
    - (1) BAUER BP18H-E3 18CFM BREATHING AIR COMPRESSOR
    - (1) FLOOR MOUNTED TRAY WITH SIDE SLIDES
  - COMPARTMENT LS4 CONTAINS:**
    - (1) HORIZONTAL FLOOR EXTENSION
    - (1) 1/2 DEPTH ADJ SLIDE OUT/TILT TRAY
    - (1) 1/2 DEPTH FLOOR MOUNTED TRAY
  - COMPARTMENT LS5 CONTAINS:**
    - (1) HORIZONTAL FLOOR EXTENSION
    - (1) RACK FOR 10 AIR BAGS
  - COMPARTMENT LS6 CONTAINS:**
    - (1) CIRCUIT BREAKER PANEL
    - (1) SUB FEED BOX
    - (1) GENERATOR METER PANEL
    - (1) NIGHTSCAN CONTROLLER
    - (1) 1/2 DEPTH FLOOR MOUNTED TRAY
    - (1) 15/20A, 120V DUPLEX RECEPTACLE



**NOTE**  
DIMENSIONS SHOWN ARE APPROXIMATE AND ARE SUBJECT TO MINOR DEVIATIONS AS MAY OCCUR OR BE NECESSARY IN CONSTRUCTION. MINOR DETAILS NOT SHOWN.

- NOTES:**
- LIMA 40kw THREE PHASE GENERATOR WITH SPLASH GUARD LOCATED BETWEEN THE FRAME RAILS
  - POLISHED 5/5 SCUFFPLATES ON CAB DOOR JAMBS
  - FLOOR IN CAB TO BE PADDED RUBBER
  - FIRECOM 52000 INTERCOM SYSTEM
  - ON-SCENE LED LIGHTS IN ALL BODY COMPARTMENTS

SIDE ROLL AND FRONTAL IMPACT PROTECTION

CLEAR DOOR WIDTH KEY		REV	DATE	BY	CH	CHASSIS DATA
AMOR ROLL UP DOORS	-2 1/4"	29MAR21	DHE	CDK		TITLE
CORTITE ROLL UP DOORS	-2 1/2"	01FEB21	DHE	CDK		HEAVY DUTY RESCUE NON-WALKIN
PIERCE DOUBLE LAP DOORS	-4 1/4"	07DEC20	DHE	CDK		FOR
PIERCE LIFT-UP LAP DOORS	-1 1/2"	08OCT20	DHE	CDK		FRISCO FIRE DEPARTMENT BID #939
(EX: 60" F-F - 2 1/4" = 57 3/4" CLEAR)						JEFF DORAN
(F-F) = FRAME TO FRAME						DWG NO.

		JOB NO.	35265
		SCALE	DATE
<b>MANUFACTURING INC.</b>		DRAWN BY	DHE
		CHECKED BY	CDK
<b>Pierce</b>		DWG NO.	35265AD
		SHEET SIZE	D
TITLE: HEAVY DUTY RESCUE NON-WALKIN		SHEET NO.	1 OF 1