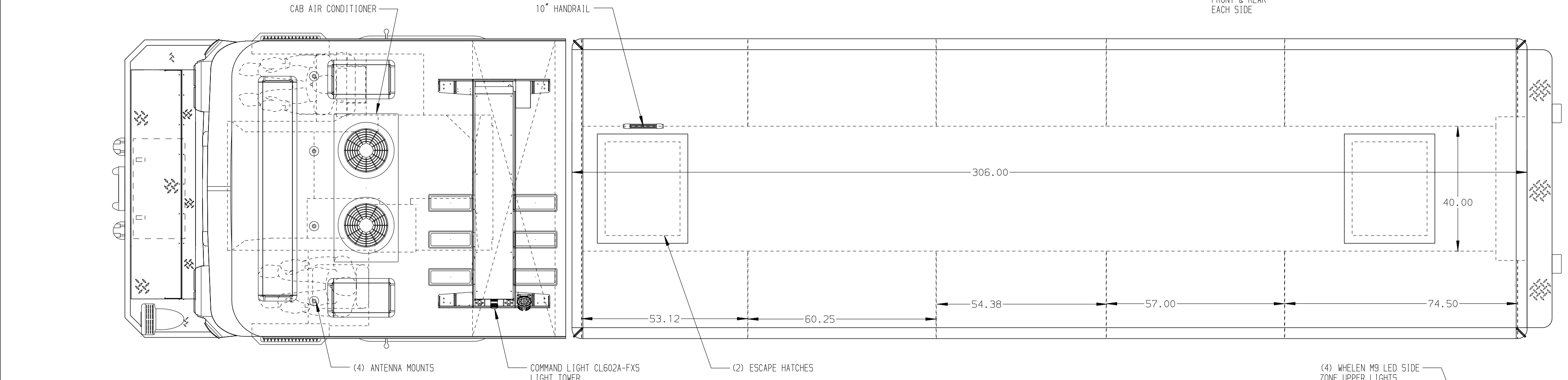
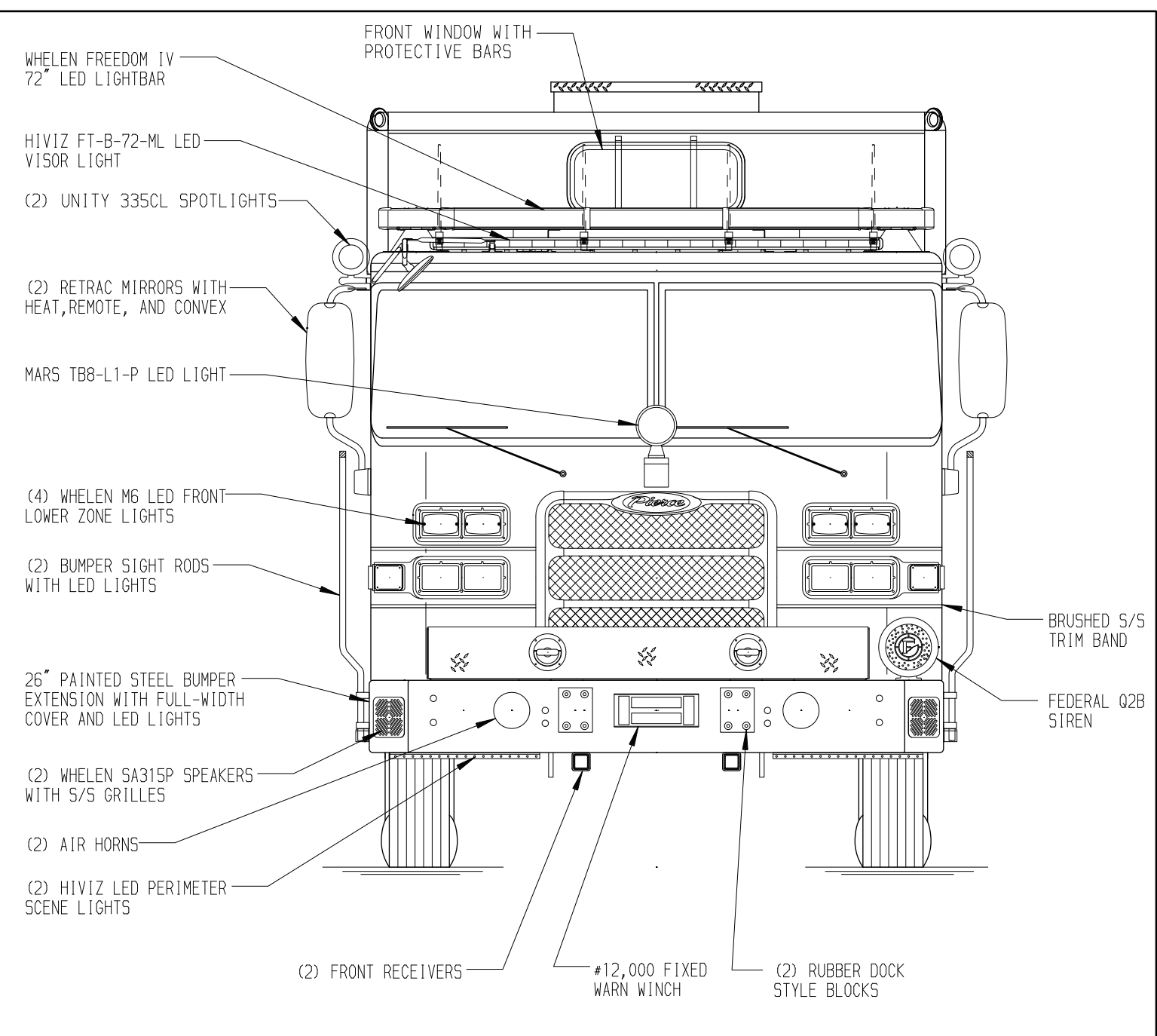
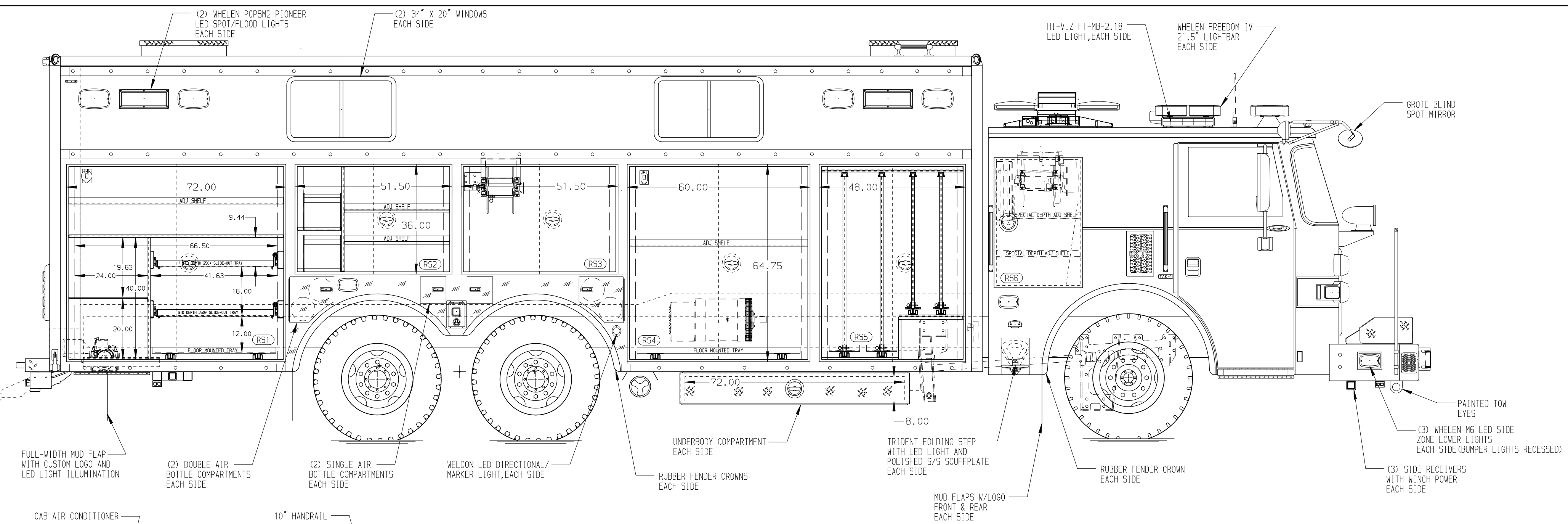
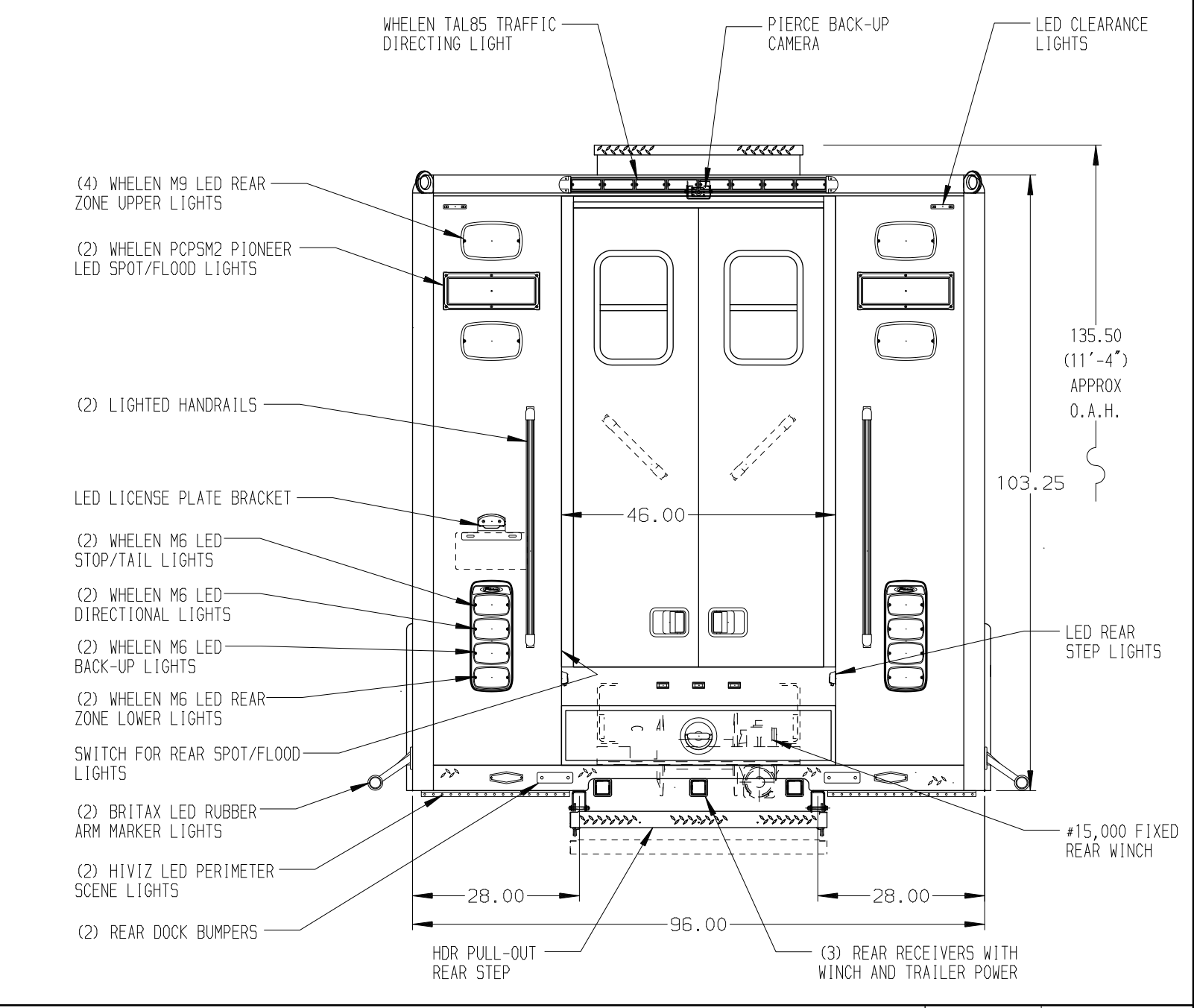


- RIGHT SIDE COMPARTMENTS CONTAIN THE FOLLOWING:**
- COMPARTMENT RS1 CONTAINS:
    - (1) STD DEPTH ADJ SHELF
    - (2) STD DEPTH ADJ SLIDE OUT TRAYS
    - (1) STD DEPTH FLOOR MOUNTED TRAY
    - (1) HORIZONTAL COMPARTMENT DIVIDER
    - (1) VERTICAL COMPARTMENT DIVIDER
    - (1) ADJ FLAT MOUNTING PLATE
    - (1) 20A, 120V TL RECEPTACLE
  - COMPARTMENT RS2 CONTAINS:
    - (2) ALUMINUM TOOL BOXES
    - (2) STD DEPTH SPECIAL ADJ SHELVES
    - (1) HORIZONTAL COMPARTMENT DIVIDER
    - (1) VERTICAL COMPARTMENT DIVIDER
  - COMPARTMENT RS3 CONTAINS:
    - (1) LOW PRESSURE AIR REEL W/200' OF HOSE
  - COMPARTMENT RS4 CONTAINS:
    - (1) 20A, 120V DUPLEX RECEPTACLE
    - (1) STD DEPTH ADJ SHELF
    - (1) STD DEPTH FLOOR MOUNTED TRAY
  - COMPARTMENT RS5 CONTAINS:
    - (1) CAB LIFT CONTROLLER
    - (2) STD DEPTH SLIDE OUT TOOLBOARDS WITH TRAYS
    - (2) STD DEPTH SLIDE OUT TOOLBOARDS
    - (1) L SHAPED COMPARTMENT DIVIDER
  - COMPARTMENT RS6 CONTAINS:
    - (2) SPECIAL DEPTH ADJ SHELVES
    - (1) RACK FOR 2 BACKBOARDS
    - (1) ELECTRIC CORD REEL WITH 200' OF 10/3 YELLOW CORD



- LEFT SIDE COMPARTMENTS CONTAIN THE FOLLOWING:**
- COMPARTMENT LS1 CONTAINS:
    - (1) STD DEPTH ADJ SHELF
    - (2) STD DEPTH ADJ SLIDE OUT TRAYS
    - (1) STD DEPTH FLOOR MOUNTED TRAY
    - (1) HORIZONTAL COMPARTMENT DIVIDER
    - (1) VERTICAL COMPARTMENT DIVIDER
    - (1) ADJ FLAT MOUNTING PLATE
    - (1) 20A, 120V TL RECEPTACLE
  - COMPARTMENT LS2 CONTAINS:
    - (2) ALUMINUM TOOL BOXES
    - (2) STD DEPTH SPECIAL ADJ SHELVES
    - (1) HORIZONTAL COMPARTMENT DIVIDER
    - (1) VERTICAL COMPARTMENT DIVIDER
  - COMPARTMENT LS3 CONTAINS:
    - (1) STD DEPTH ADJ SHELF
    - (1) STD DEPTH FLOOR MOUNTED TRAY
    - (1) LOW PRESSURE AIR REEL W/200' OF HOSE
  - COMPARTMENT LS4 CONTAINS:
    - (1) 20A, 120V DUPLEX RECEPTACLE
    - (1) STD DEPTH ADJ SHELF
    - (1) STD DEPTH FLOOR MOUNTED TRAY
    - (1) LOW PRESSURE AIR REEL W/200' OF HOSE
  - COMPARTMENT LS5 CONTAINS:
    - (1) 5-DRAWER C-TECH CABINET
    - (1) CIRCUIT BREAKER PANEL
    - (1) GENERATOR METER PANEL
    - (1) COMMAND LIGHT CONTROLLER
    - (1) 50A, 120/240V RECEPTACLE
  - COMPARTMENT LS6 CONTAINS:
    - (2) SPECIAL DEPTH ADJ SHELVES
    - (1) RACK FOR 2 BACKBOARDS
    - (1) ELECTRIC CORD REEL WITH 200' OF 10/3 YELLOW CORD



**NOTE**  
DIMENSIONS SHOWN ARE APPROXIMATE AND ARE SUBJECT TO MINOR DEVIATIONS AS MAY OCCUR OR BE NECESSARY IN CONSTRUCTION. MINOR DETAILS NOT SHOWN.

- NOTES:**
- ONAN 20 kW SINGLE PHASE PTO DRIVEN GENERATOR WITH LOCATED BETWEEN THE FRAME RAILS
  - WARN #9,000 PORTABLE RECEIVER STYLE WINCH
  - POLISHED S/S SCUFFPLATES ON CAB DOOR JAMBS
  - FLOOR IN CAB TO BE PADDED RUBBER
  - SIGTRONIC 4-POSITION INTERCOM SYSTEM
  - KUSSMAUL PUMP PLUS 1200 CHARGER LOCATED BEHIND PASSENGER'S SEAT
  - (2) #9,000 RECEIVER STYLE ROPE ANCHORS
  - PIERCE DUAL LED LIGHT STRIPS IN ALL BODY COMPARTMENTS
  - (1) 20A, 120V DUPLEX RECEPTACLE BEHIND DRIVER'S SEAT
  - LINE-X ON BODY FENDER PANELS AND FENDER PANEL COMPARTMENT DOORS

**NOTE:**  
DOORS HAVE BEEN SHOWN IN HIDDEN LINES TO CLEARLY IDENTIFY THE EQUIPMENT IN EACH COMPARTMENT. DASHED LINES ON SIDES ARE DOORS IN OPEN POSITION

CLEAR DOOR WIDTH KEY		REV	DATE	BY	CH	CHASSIS DATA
AMOR ROLL UP DOORS:	-2 1/4"	09FEB21	DHE	AZU		
GORTITE ROLL UP DOORS:	-2 1/2"	18DEC20	DHE	AZU		
PIERCE DOUBLE LAP DOORS:	-4 1/4"	11DEC20	DHE	AZU		PIERCE
PIERCE LIFT-UP LAP DOORS:	-1 1/2"	14OCT20	DHE	AZU		MODEL
(EX: 60" F-F - 2 1/4" = 57 3/4" CLEAR)						AXT4600

		JOB NO.	35260
		SCALE	DATE
TITLE	HEAVY DUTY RESCUE WALK-IN/NON-WALK-IN COMBO	DRAWN BY	DHE
FOR	WALL FIRE DISTRICT #3 BID #423	CHECKED BY	AZU
DWG NO.	35260AD-SH1	SHEET SIZE	SHEET NO.
			1 OF 1