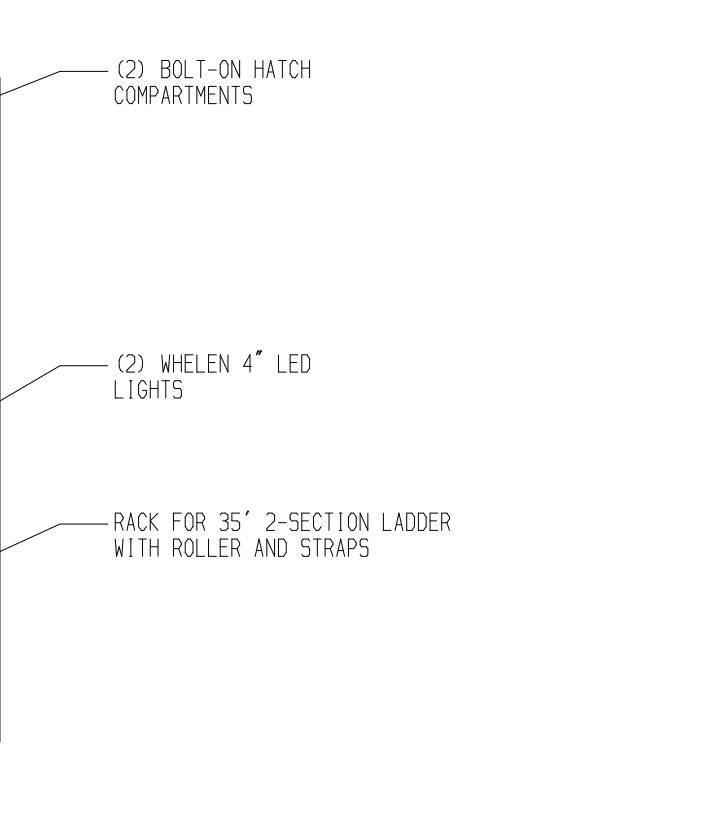
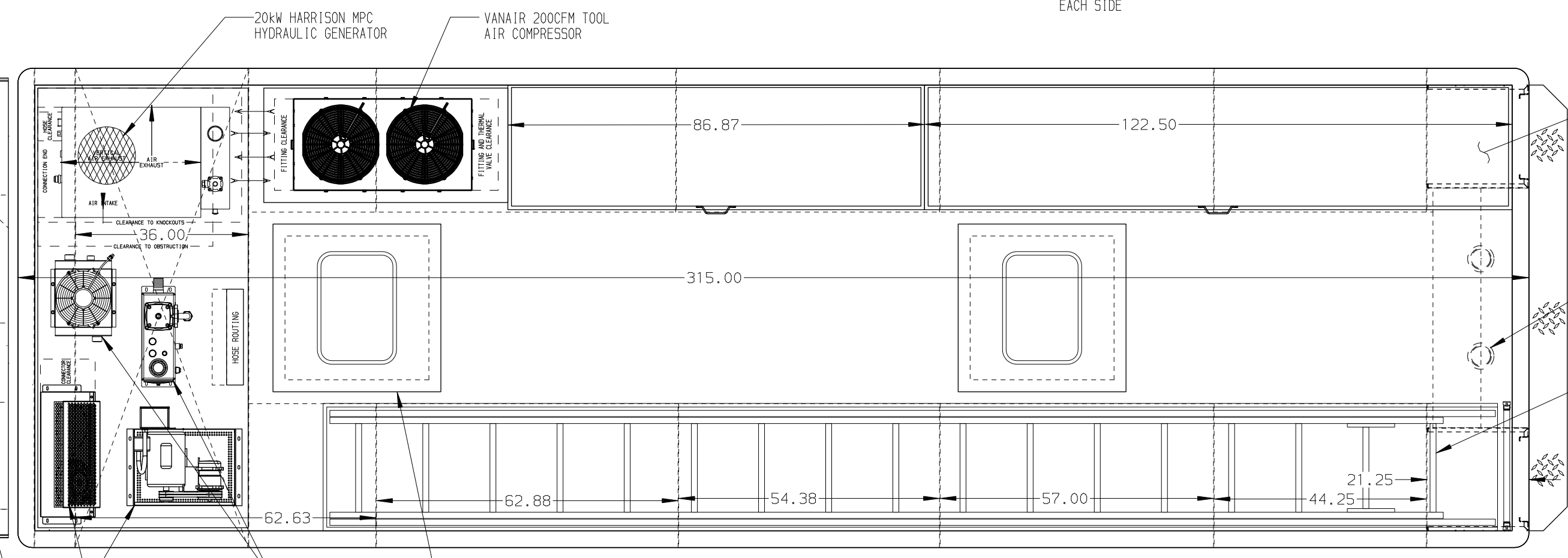
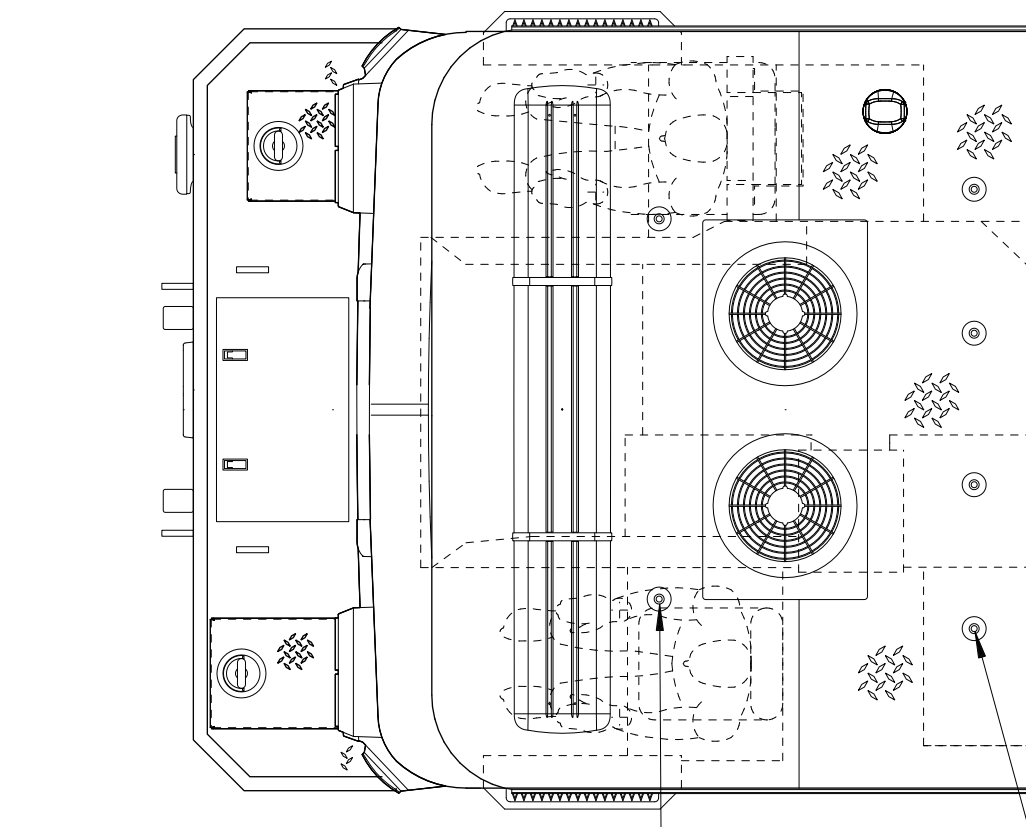
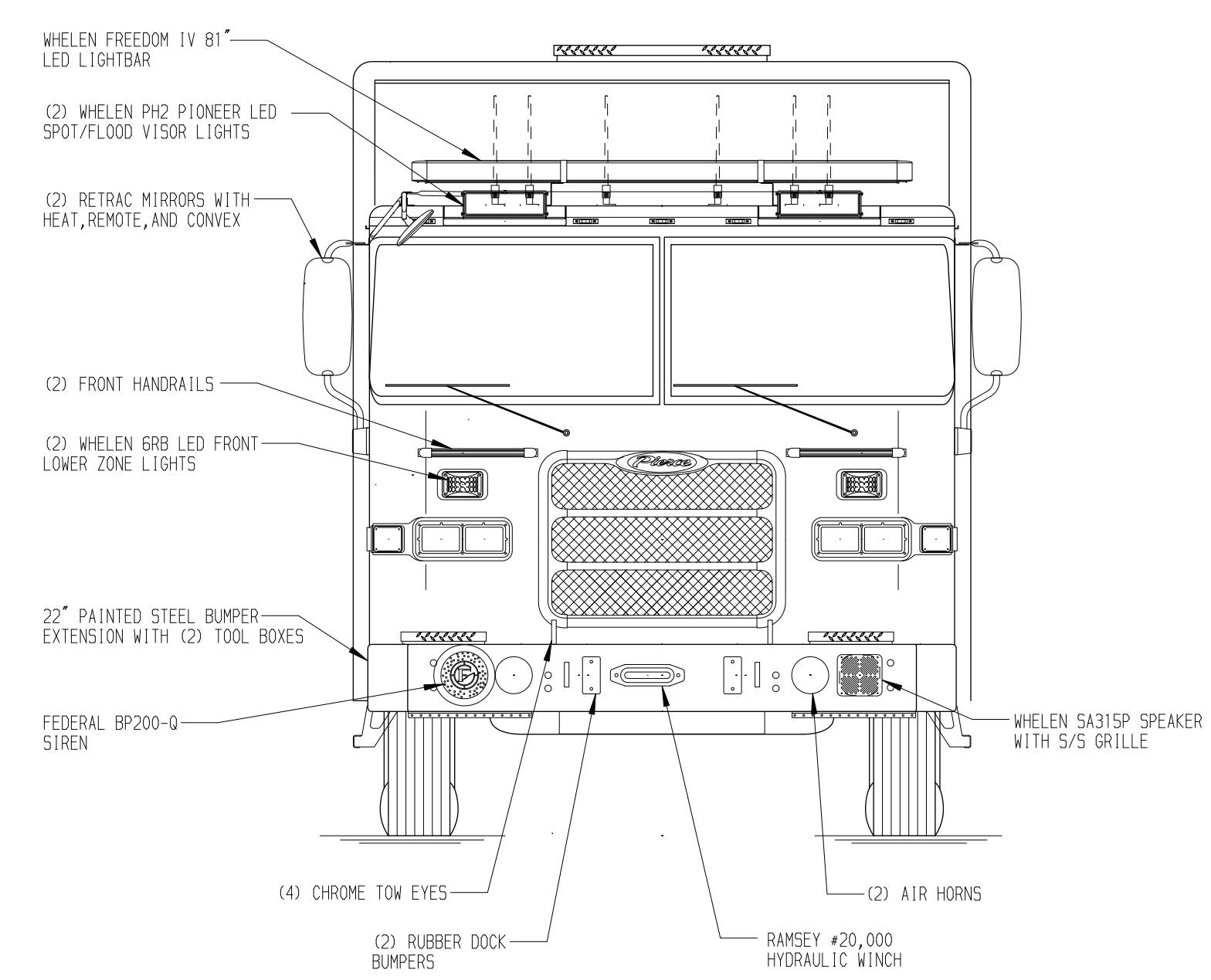
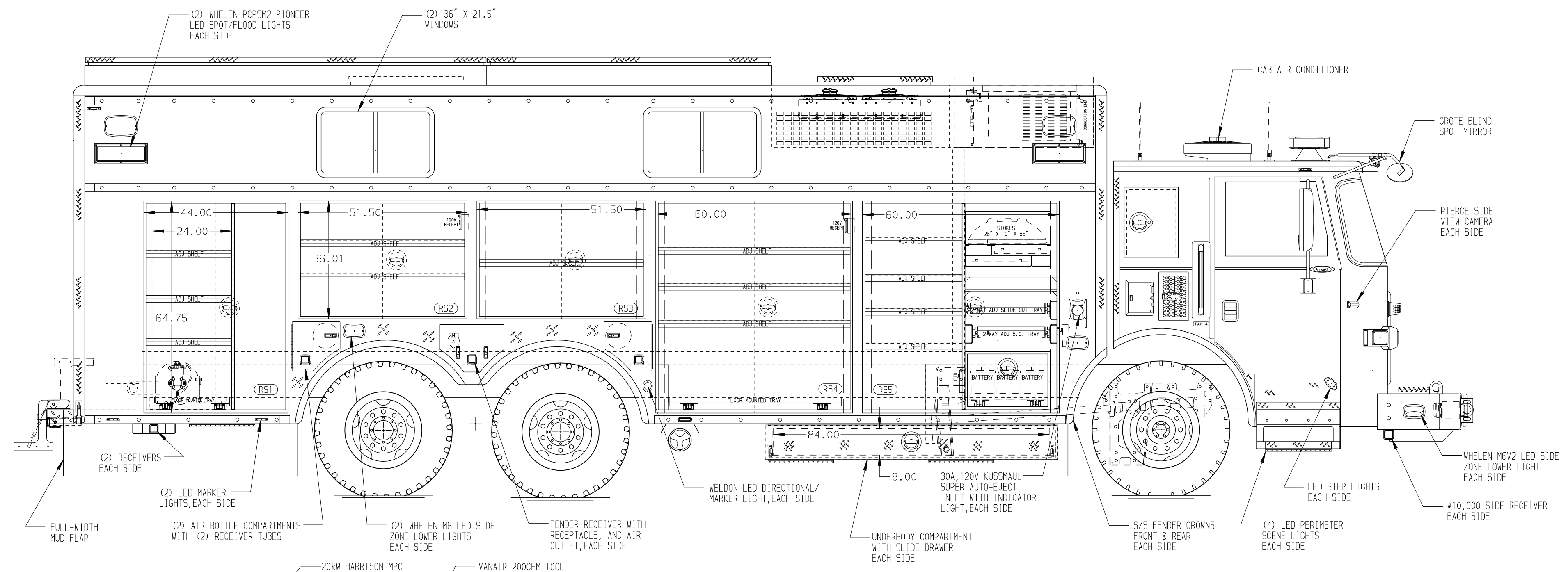


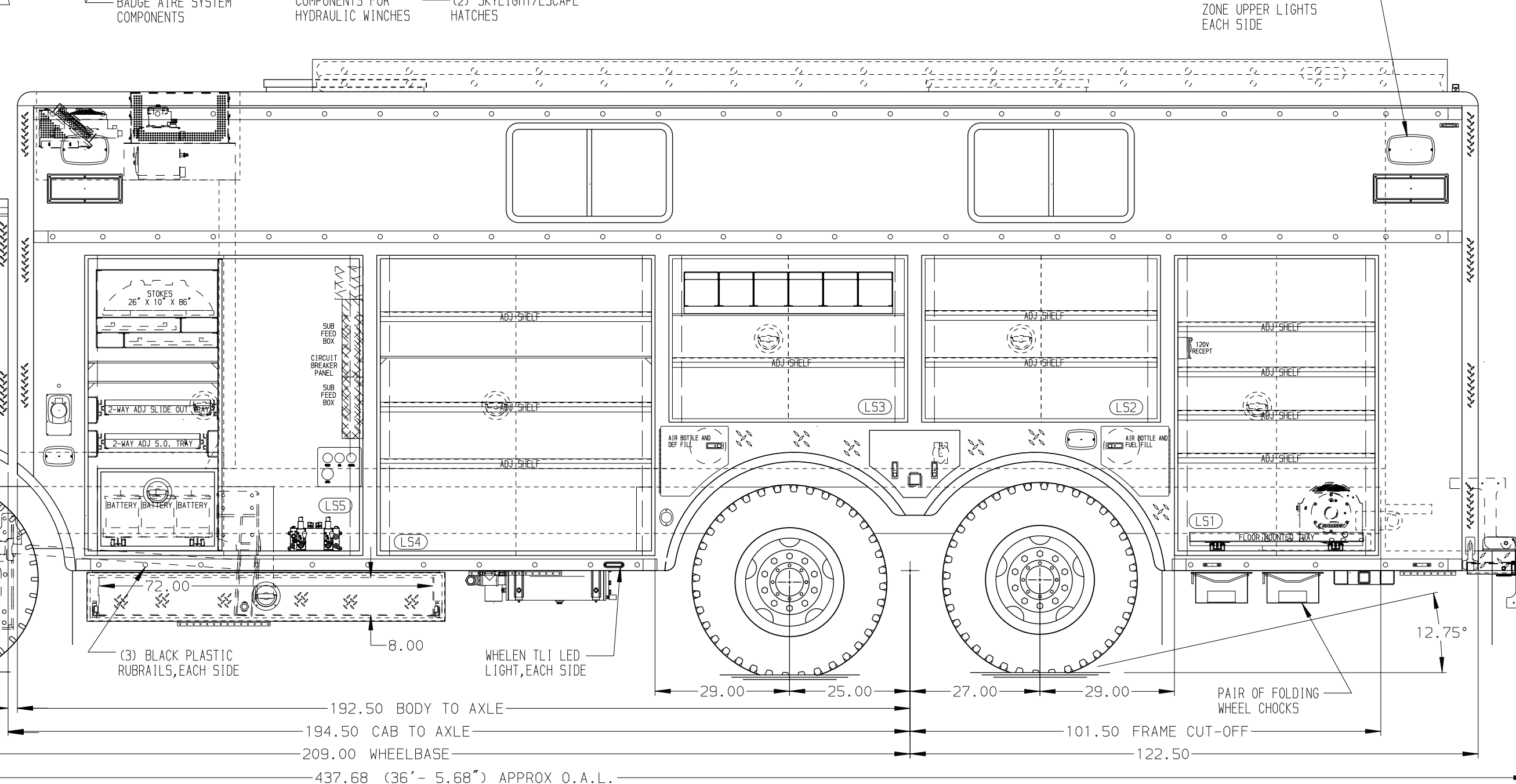
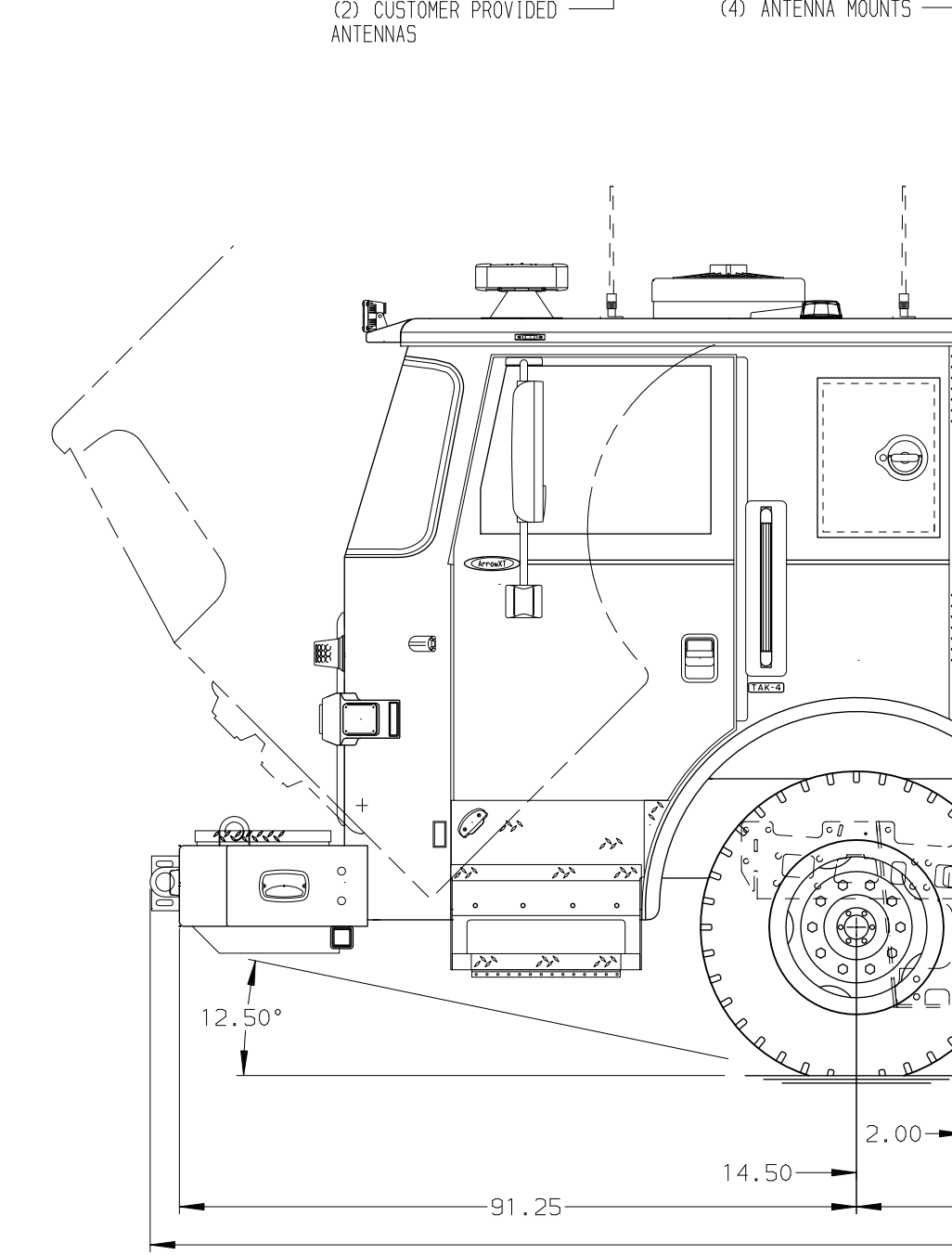
RIGHT SIDE COMPARTMENTS CONTAIN THE FOLLOWING:

- COMPARTMENT RS1 CONTAINS:
 - (3) STD DEPTH ADJ SPECIAL SHELVES
 - (1) SPECIAL FLOOR MOUNTED TRAY
 - (1) VERTICAL COMPARTMENT DIVIDER
- COMPARTMENT RS2 CONTAINS:
 - (2) STD DEPTH ADJ SPECIAL SHELVES
 - (1) 20A, 120V DUPLEX RECEPTACLE
- COMPARTMENT RS3 CONTAINS:
 - (1) STD DEPTH ADJ SPECIAL SHELF
- COMPARTMENT RS4 CONTAINS:
 - (3) STD DEPTH ADJ SPECIAL SHELVES
 - (1) SPECIAL FLOOR MOUNTED TRAY
 - (1) 20A, 120V DUPLEX RECEPTACLE
- COMPARTMENT RS5 CONTAINS:
 - (1) CAB LIFT CONTROLLER
 - (1) CHASSIS BATTERY COMPARTMENT
 - (1) STOKES BASKET RACK
 - (2) MISCELLANEOUS STORAGE COMPARTMENTS
 - (1) RACK FOR 2 BACKBOARDS
 - (1) VERTICAL COMPARTMENT DIVIDER
 - (2) 2-WAY ADJ FLAT TOP SHELVES
 - (2) 2-WAY ADJ SLIDE OUT TRAYS
 - (4) STD DEPTH ADJ SPECIAL SHELVES



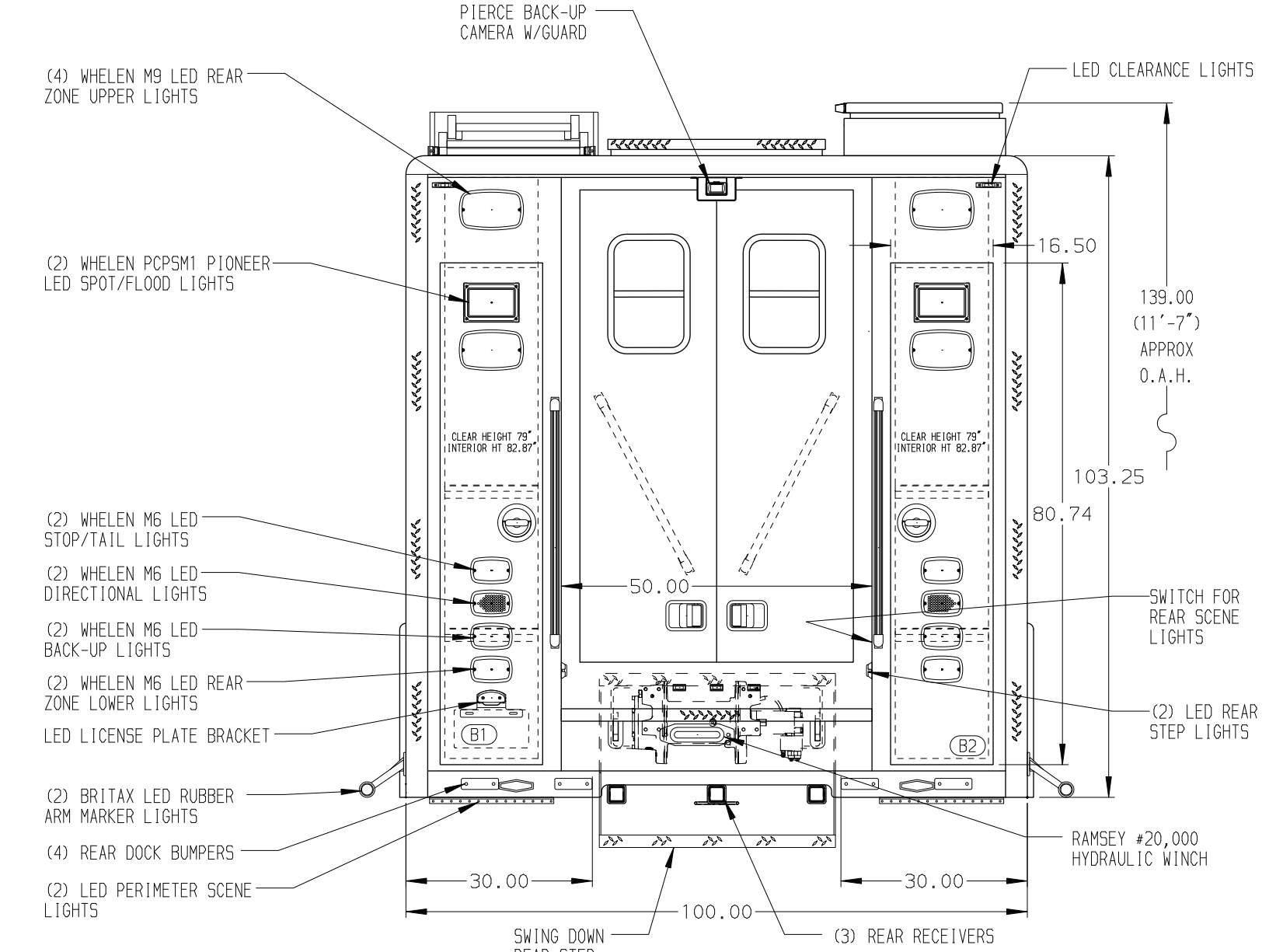
REAR COMPARTMENT CONTAINS THE FOLLOWING:

- COMPARTMENT B1 CONTAINS:
 - (2) SPECIAL DEPTH INVERTED SHELVES
 - (1) 20A, 120V DUPLEX RECEPTACLE
- COMPARTMENT B2 CONTAINS:
 - (2) SPECIAL DEPTH INVERTED SHELVES
 - (1) 20A, 120V DUPLEX RECEPTACLE



LEFT SIDE COMPARTMENTS CONTAIN THE FOLLOWING:

- COMPARTMENT LS1 CONTAINS:
 - (4) STD DEPTH ADJ SPECIAL SHELVES
 - (1) SPECIAL FLOOR MOUNTED TRAY
 - (1) 20A, 120V 4-PLACE RECEPTACLE
- COMPARTMENT LS2 CONTAINS:
 - (2) STD DEPTH ADJ SPECIAL SHELVES
- COMPARTMENT LS3 CONTAINS:
 - (1) STD DEPTH ADJ SPECIAL SHELF
 - (1) RACK FOR 6 SCBA BOTTLES (7.25" SQUARE)
- COMPARTMENT LS4 CONTAINS:
 - (3) STD DEPTH ADJ SPECIAL SHELVES
 - (1) STD DEPTH ADJ FLAT TOP TRAY
- COMPARTMENT LS5 CONTAINS:
 - (1) CHASSIS BATTERY COMPARTMENT
 - (1) XANTREX BATTERY CHARGER
 - (1) STOKES BASKET RACK
 - (2) MISCELLANEOUS STORAGE COMPARTMENTS
 - (1) RACK FOR 2 BACKBOARDS
 - (1) CIRCUIT BREAKER PANEL
 - (1) SUB FEED BOX
 - (1) FLOOR MOUNTED TRAY
 - (1) VANIAIR SYSTEM CONTROL PANEL
 - (1) BATTERY CHARGE INDICATOR ON RIGHT WALL
 - (1) VERTICAL COMPARTMENT DIVIDER
 - (2) 2-WAY ADJ FLAT TOP SHELVES
 - (2) 2-WAY ADJ SLIDE OUT TRAYS



NOTE:
DIMENSIONS SHOWN ARE APPROXIMATE AND ARE SUBJECT TO MINOR DEVIATIONS AS MAY OCCUR OR BE NECESSARY IN CONSTRUCTION. MINOR DETAILS NOT SHOWN.

- NOTES:**
- PARKER-HANNIFIN AIR INLET/OUTLET WITH DISCONNECT FITTING LOCATED ON DRIVER'S SEAT RISER
 - ALUMINUM TREADPLATE ON REAR CORNERS OF THE CAB
 - BRUSHED 5/S SCUFFPLATES ON CAB DOOR JAMBS
 - ALUMINUM TREADPLATE ON REAR 30" OF CAB ROOF
 - FIRECOM S1000 2-POSITION INTERCOM SYSTEM
 - ALUMINUM TREADPLATE ON BODY FENDER PANELS
 - AMOR DUAL LED LIGHTS IN ALL BODY COMPARTMENTS

MAXIMUM O.A.L. 40'-2"
MAXIMUM O.A.H. 11'-7"

CLEAR DOOR WIDTH KEY

AMOR ROLL UP DOORS:	-2 1/4"
CORTITE ROLL UP DOORS:	-2 1/2"
DIERCE DOUBLE LAP DOORS:	-4 1/4"
DIERCE LIFT-UP LAP DOORS:	-1 1/2"

(EX: 60" F-F - 2 1/4" = 57 3/4" CLEAR)
(F-F) = FRAME TO FRAME

REV	DATE	BY	CH	REV	DATE	BY	CH
19MAY21	DHE	CDK	CHASSIS DATA	07OCT20	DHE	CDK	MODEL AX1500
04MAY21	DHE	CDK					
03MAR21	DHE	CDK	MAKE				
03MAR21	DHE	CDK	PIERCE				
28SEP21	DHE	CDK					

Pierce MANUFACTURING INC.

JOB NO. 35244

SCALE 1:24 DATE

TITLE HEAVY DUTY RESCUE WALKIN

FOR CITY OF SEATTLE SEATTLE, WA

DWG NO. 35244AD-SH1

CHECKED BY CDK 25SEP20

DAN HAYES

SHEET SIZE D SHEET NO. 1 OF 2