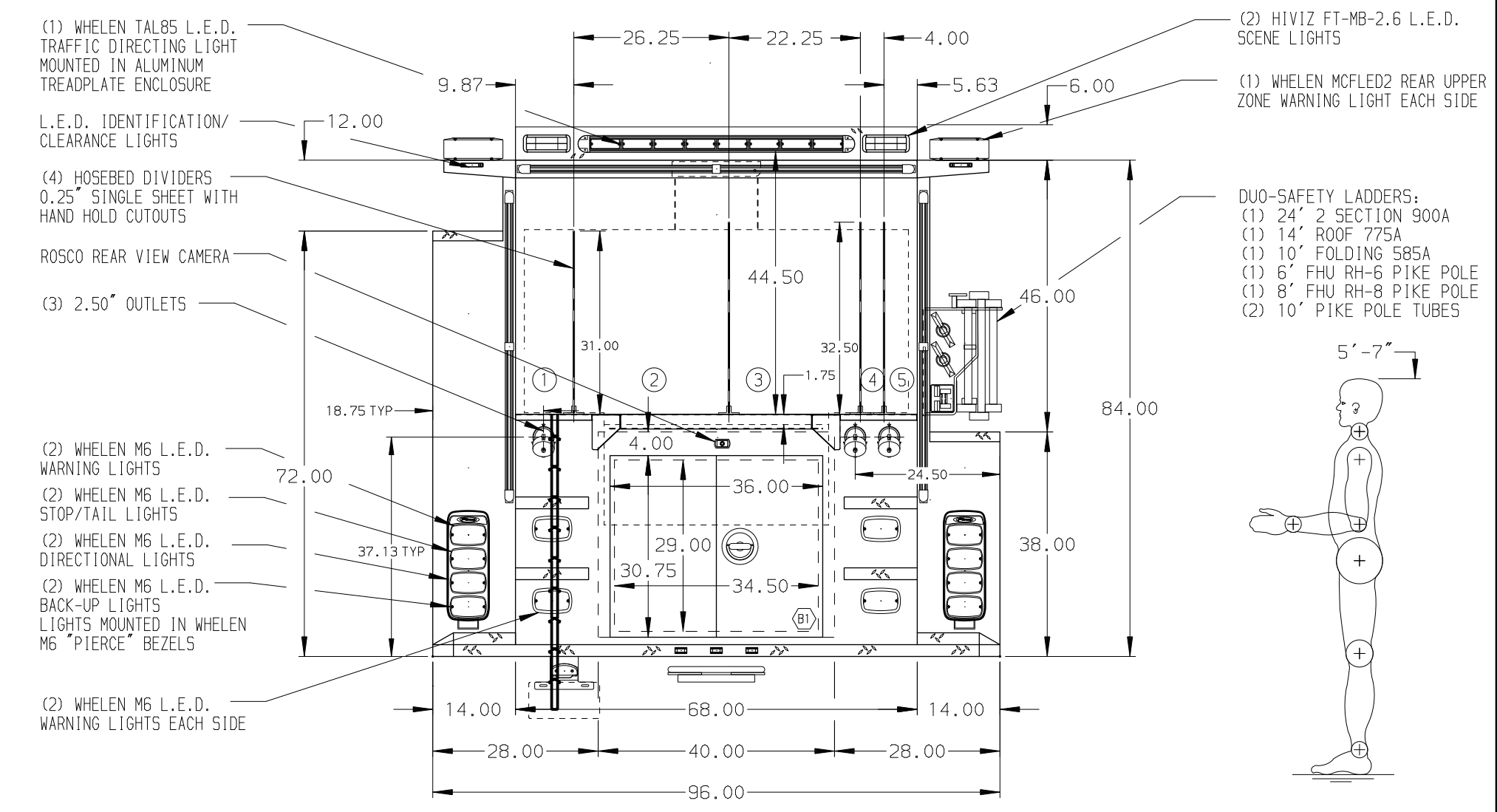


- HOSEBED CAPACITIES
- ① - 400' OF 1.75" D.J. POLY HOSE
  - ② - 1000' OF 4.00" D.J. POLY HOSE
  - ③ - 1000' OF 3.00" D.J. POLY HOSE
  - ④ - 300' OF 1.75" D.J. POLY HOSE
  - ⑤ - 250' OF 2.50" D.J. POLY HOSE



STAINLESS STEEL BODY MAXIMUM O.A.L. 364" MAXIMUM O.A.H. 120" FRONTAL IMPACT PROTECTION

**NOTE**  
DIMENSIONS SHOWN ARE APPROXIMATE AND ARE SUBJECT TO MINOR DEVIATIONS AS MAY OCCUR OR BE NECESSARY IN CONSTRUCTION. MINOR DETAILS NOT SHOWN.

1. VOGEL LUBE SYSTEM PUMP LOCATED PER SHOP ORDER
2. ALUMINUM 4-WAY ON CAB ROOF
3. REVERSED HINGED DOOR ON COMPARTMENT LS3
4. ONE FULL WIDTH/DEPTH PAINTED ADJUSTABLE SHELF IN COMPARTMENT LS3 AND RS2
5. TWO FULL WIDTH/DEPTH PAINTED ADJUSTABLE SHELVES IN COMPARTMENT LS1
6. ONE FLOOR MOUNTED SLIDE-OUT TRAY WITH 2" SIDES IN COMPARTMENT B1
7. ONE ADJUSTABLE SLIDE-OUT TRAY WITH 2" SIDES IN COMPARTMENT LS3
8. ONE VERTICAL PARTITION LOCATED IN COMPARTMENT LS1 AND RS1
9. ONE NOTCHED PARTITION BETWEEN COMPARTMENTS LS1/B1
10. BLACK WALL MOUNTED PEGBOARD LOCATED IN COMPARTMENT LS2
11. AIR OUTLET WITH SHUT OFF VALVE LOCATED ON DRIVER'S SIDE PUMP PANEL
12. BATTERY CHARGER LOCATED BEHIND DRIVER'S SEAT
13. BATTERY CHARGER INDICATOR LOCATED ON DRIVER'S STEP AREA
14. ONE 120V DUPLEX RECEPTACLE LOCATED HIGH ON FRONT WALL IN RS1
15. ONE 120V DUPLEX RECEPTACLE LOCATED HIGH ON TANK WALL IN UPPER FRONT CORNER IN LS3
16. ANCHOR PLATE FOR NEDERMAN EXHAUST SYSTEM HOSE MOUNTED AT FINAL

07APR21	LME	CSH	CHASSIS DATA
08DEC20	LME	CSH	MAKE
12NOV20	LME	CSH	PIERCE
30OCT20	SAM	CSH	MODEL
04SEP20	CDU	AZA	REV
REV	DATE	BY	CH

		JOB NO.	35240
		SCALE	DATE
TITLE	2000-D-500P, 140" BODY FH DS, LOW PS (2)XLAYS, (2) DEADLAYS, LADDERS MOUNTED ON SIDE		
FOR	GREENBELT VOL FIRE DEPARTMENT AND RESCUE SQUAD, INC GREENBELT, MARYLAND		
DWG NO.	35240AD		
DRAWN BY	LME	CHECKED BY	CDU
SHEET SIZE	D	SHEET NO.	1 OF 1