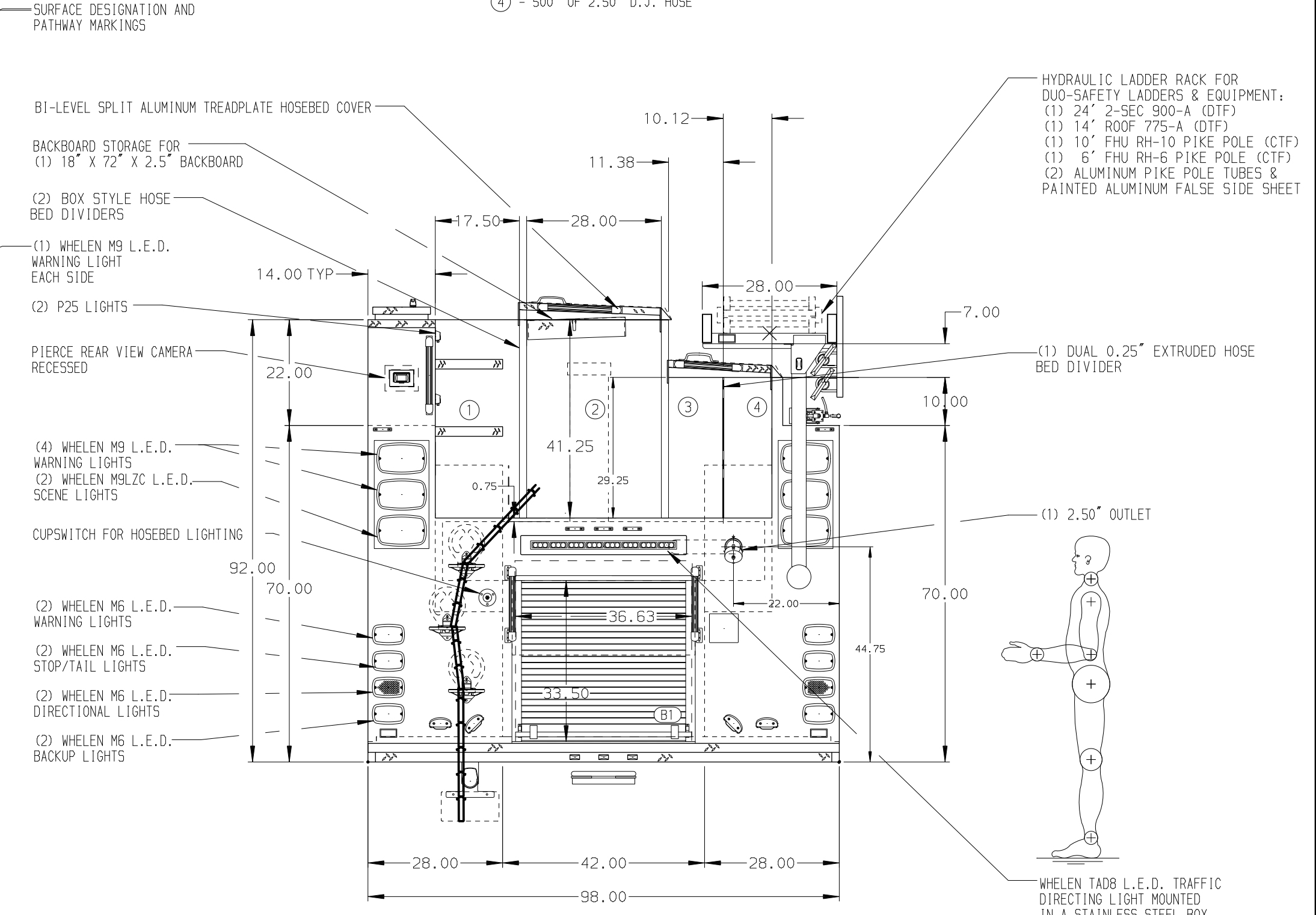
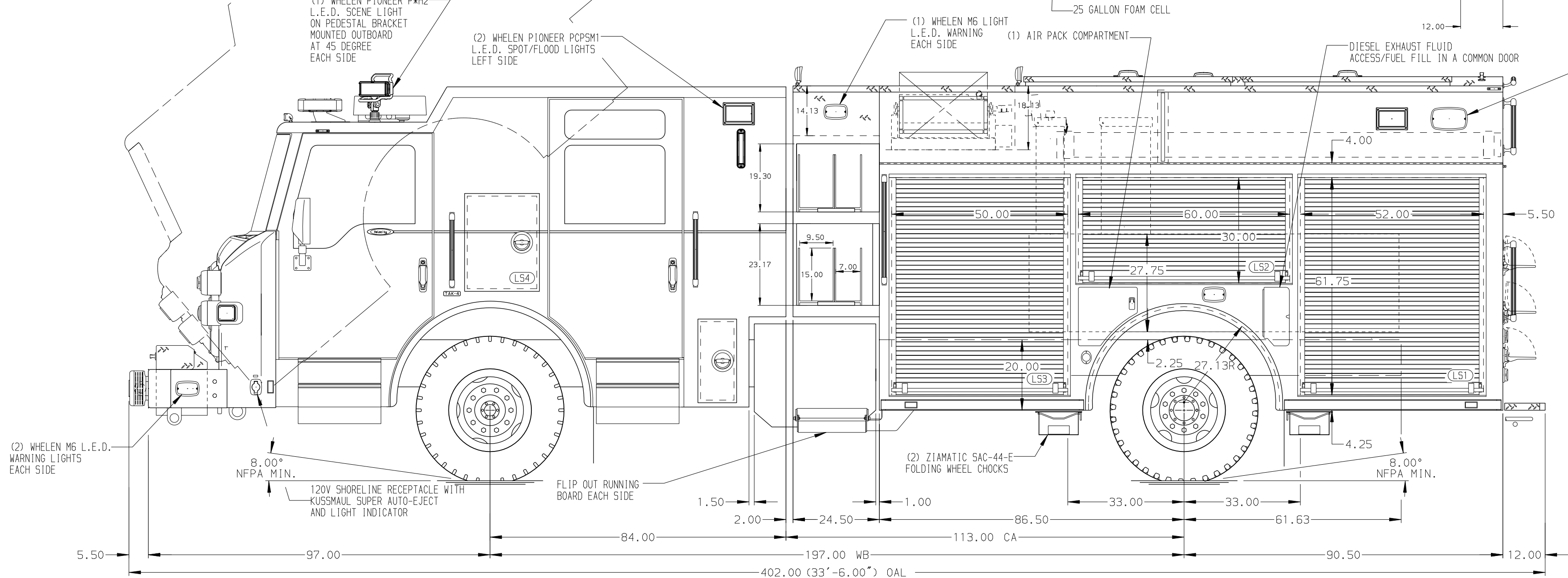


- HOSEBED CAPACITIES
- ① 17.50' EMPTY BED FOR WALKWAY
 - ② - 1000' OF 5.00" HI-VOL HOSE
 - ③ - 500' OF 2.50" D.J. HOSE
 - ④ - 500' OF 2.50" D.J. HOSE



ALUMINUM BODY

SIDE ROLL AND FRONTAL IMPACT PROTECTION

NOTE
DIMENSIONS SHOWN ARE APPROXIMATE AND ARE SUBJECT TO MINOR DEVIATIONS AS MAY OCCUR OR BE NECESSARY IN CONSTRUCTION. MINOR DETAILS NOT SHOWN.

1. ONSPOUT AUTOMATIC TIRE CHAINS TO BE PROVIDED AT THE REAR
2. AIR INLET W/DISCONNECT COUPLING ON THE DRIVER'S SEAT RISER
3. AIR OUTLET W/ SHUT OFF VALVE ON D.S. PUMP PANEL
4. BATTERY CHARGER LOCATED BEHIND DRIVER SEAT
5. BATTERY CHARGER INDICATOR LOCATED NEAR DRIVER'S SEAT RISER WITH BRACKET
6. WHELEN PRODELZ0 L.E.D. LIGHT LOCATED AT THE FRONT OF THE HOSE BED
7. STAINLESS STEEL SCUFFPLATE ON BODY REAR CORNERS
8. ONE FULL WIDTH/DEPTH ADJUSTABLE SHELF IN LS2; TWO IN LS1, LS3 AND RS1, THREE IN RS3
9. ONE ADJUSTABLE HEIGHT SLIDE-OUT TRAY IN B1
10. ONE VERTICAL PARTITION IN LS2

11. ONE ADJUSTABLE TILTING SLIDE-OUT TRAY IN RS3
12. ONE ADJUSTABLE VERTICAL PARTITION IN RS3
13. ONE PARTITION BETWEEN COMPARTMENTS LS1-B1 & RS1-B1
14. ONE VERTICAL PARTITION IN LS2
15. ONE BOLT IN PARTITION IN LHT SHIPPED LOOSE
16. ONE 120V NEMA DUKLEX RECEPTACLE LOCATED IN RS1 AND RS3
18. CABLE FOR TILT/SLIDE OUT TRAY IN COMPARTMENT RS3
19. REMOVABLE ACCESS PANEL IN COMPARTMENT RS3

REV	DATE	BY	CH	VELOCITY FR
30MAR21	LME	SMA	CHASSIS DATA	
29JAN21	LME	SMA	MAKE	
04NOV20	LME	SMA	PIERCE	
16OCT20	LST	AZA	MODEL	
10SEP20	LME	SMA		

		JOB NO.	35230
		SCALE	DATE
TITLE	1250-D-525P, 500G WATER, 25G FOAM, 177" PUC PUMPER (4) CROSSLAYS, DELUGE, HUSKY 12, HYD. LADDER RACK	DRAWN BY	LME
FOR	WEST METRO FIRE RESCUE LITTLETON, COLORADO	CHECKED BY	SMA
DWG NO.	35230AD	SHEET SIZE	SHEET NO.
		D	1 OF 1