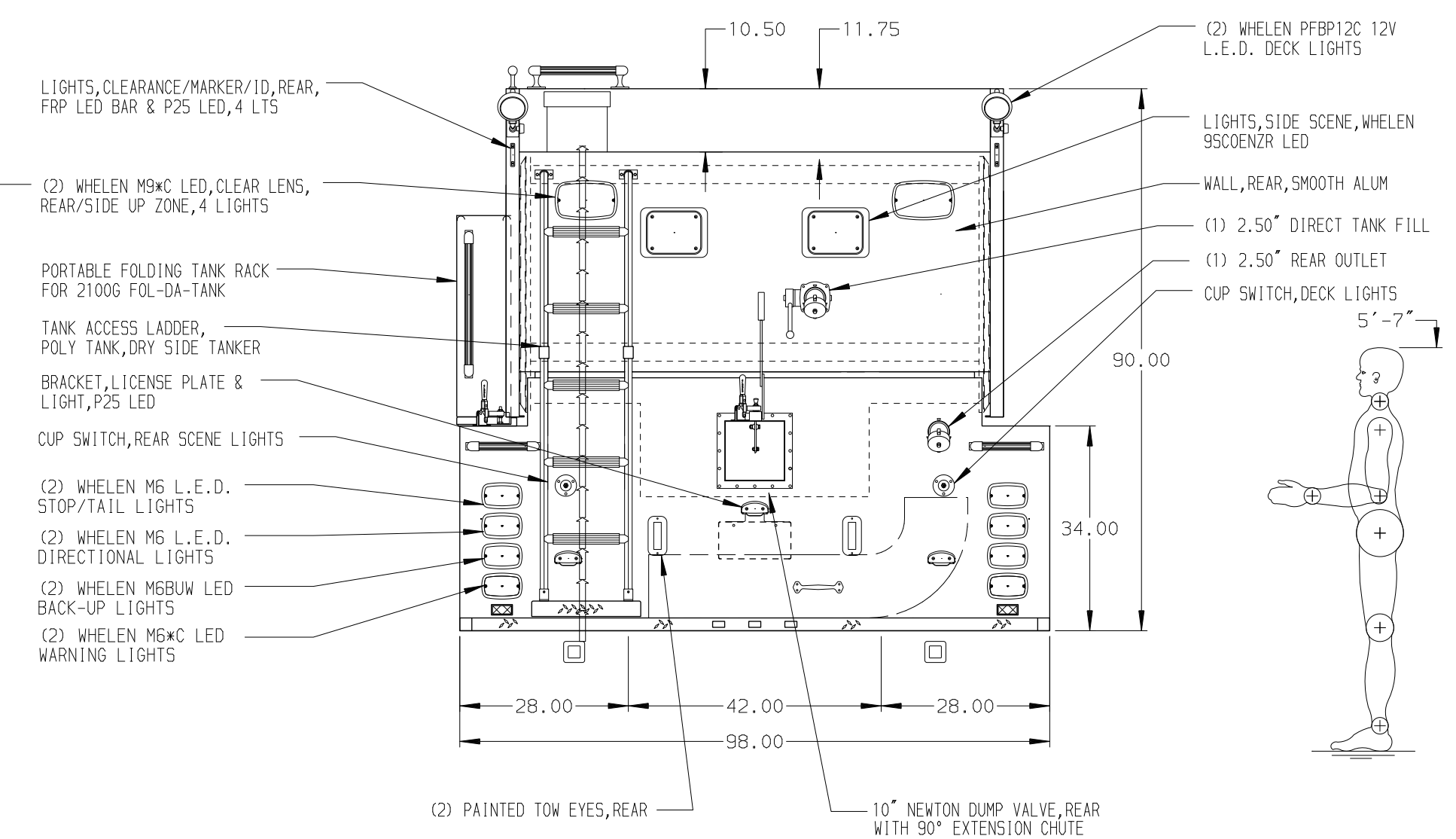
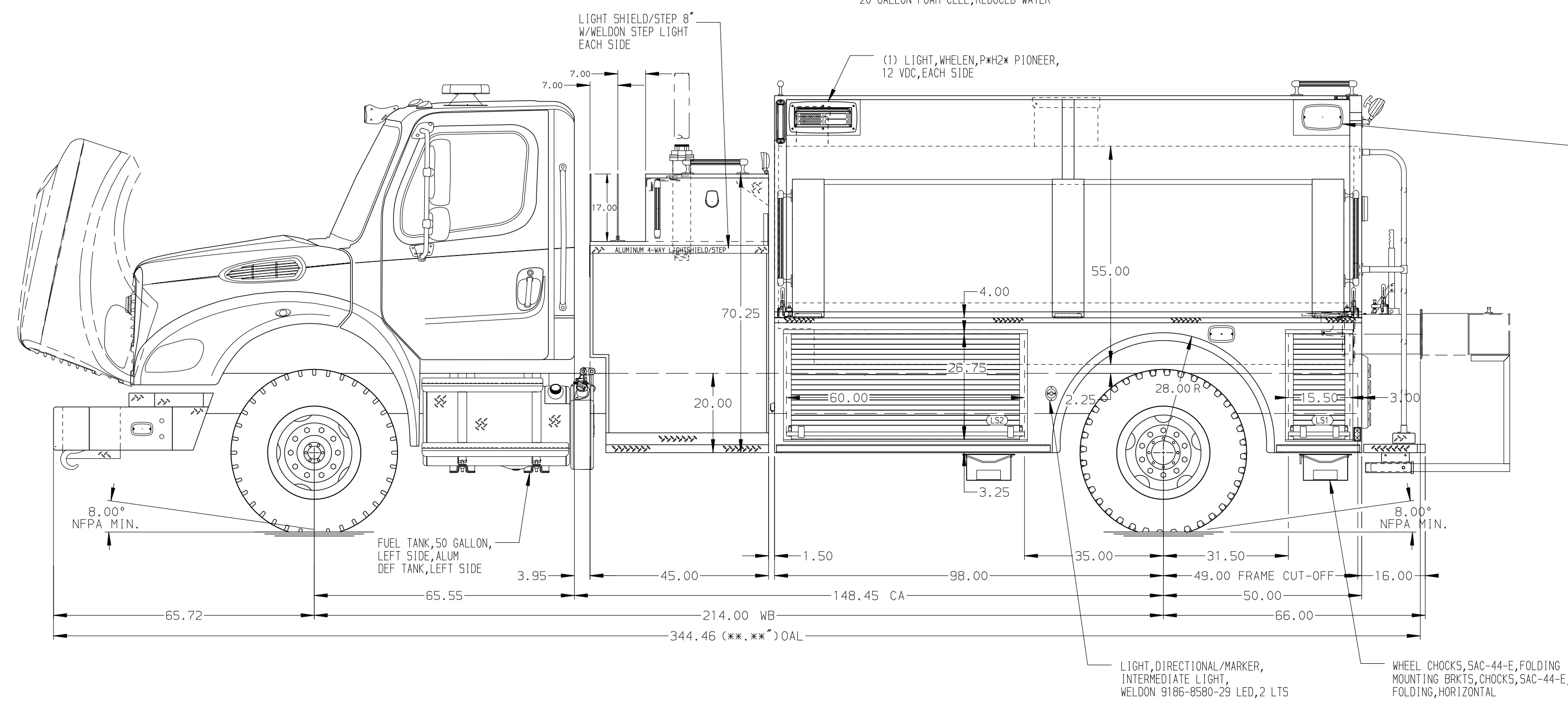


HOSEBED CAPACITIES
 ① 200' OF 2.50" D.J. POLY HOSE



ALUMINUM BODY

NOTE
 DIMENSIONS SHOWN ARE APPROXIMATE AND ARE SUBJECT TO MINOR DEVIATIONS AS MAY OCCUR OR BE NECESSARY IN CONSTRUCTION. MINOR DETAILS NOT SHOWN.

REV	DATE	BY	CH	CHASSIS DATA
14JAN21	JLA	CAG	MAKE	M2-112
16NOV20	JLA	CAG	FL	
17SEP20	RWI	JLA	MODEL	

		JOB NO.	35217
		SCALE	DATE
TITLE	1000-D-1980P, 20 FOAM, 148" DRYSIDE BODY 45" SIDE CONTROL, (2) 1.5" CROSSLAYS	DRAWN BY	JLA
FOR	CLARK COUNTY, NV LAS VEGAS, NEVADA	CHECKED BY	RWI
DWG NO.	35217AD	SHEET SIZE	SHEET NO.
		D	1 OF 1