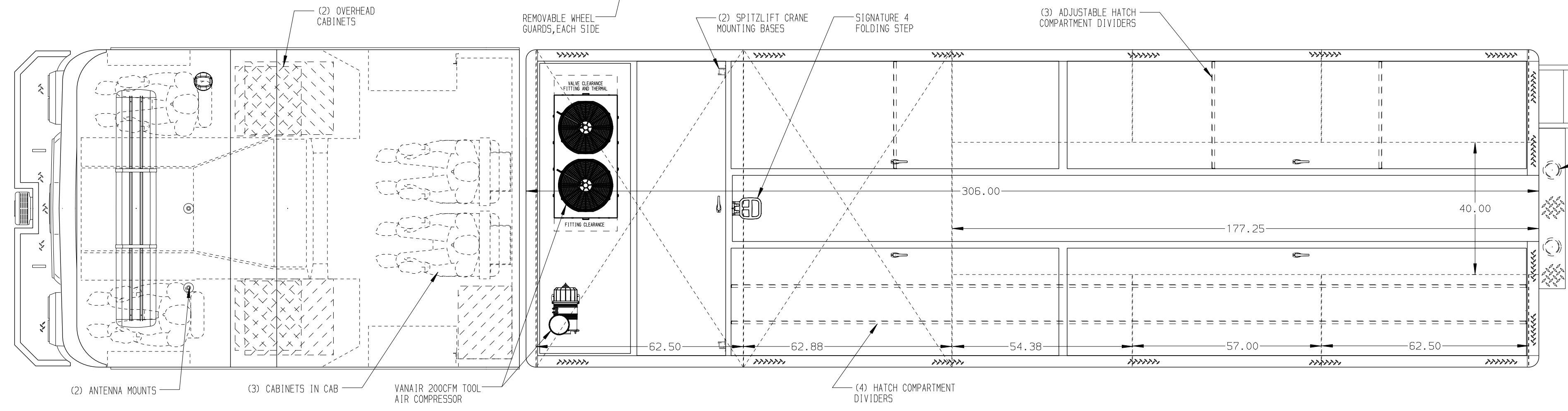
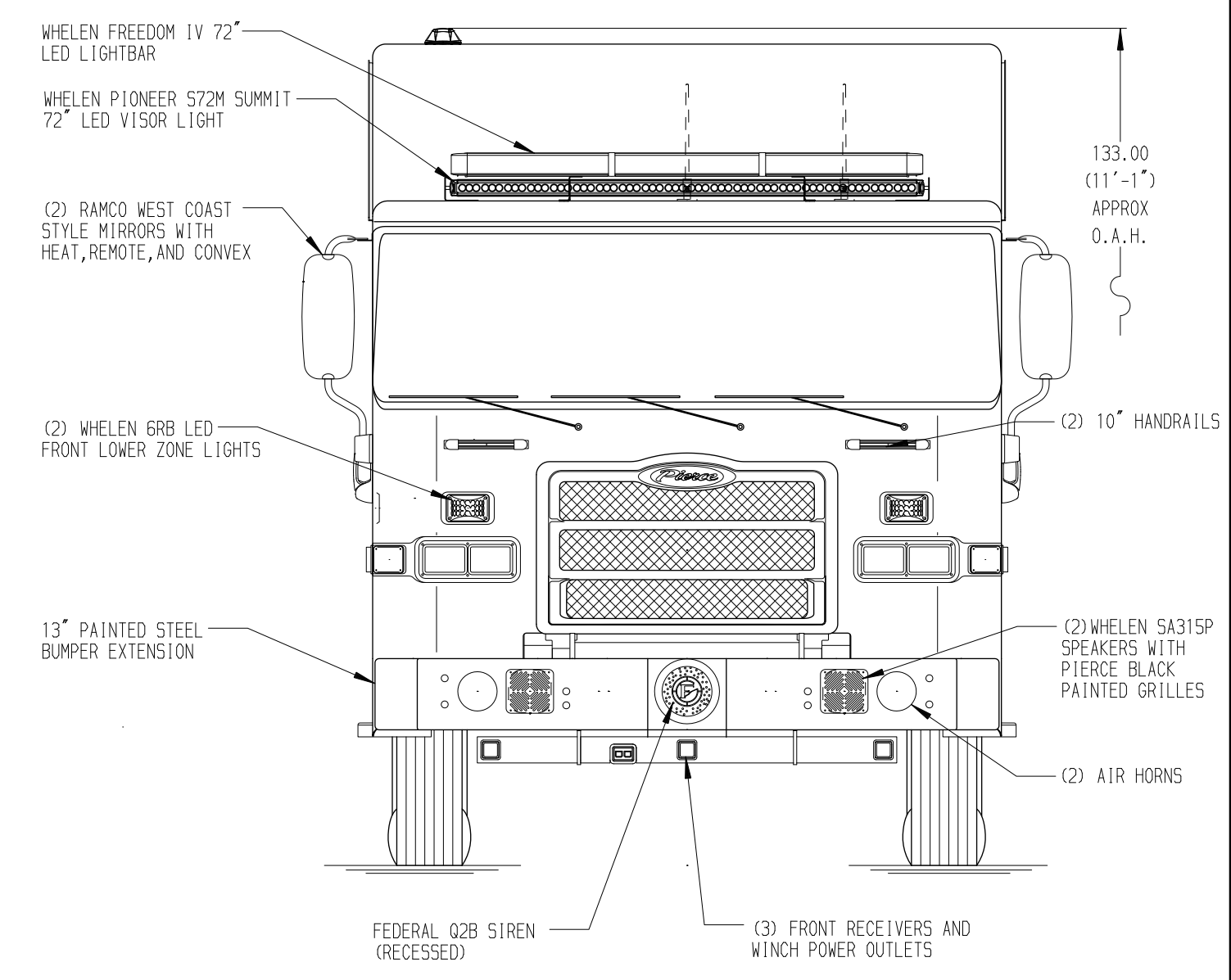
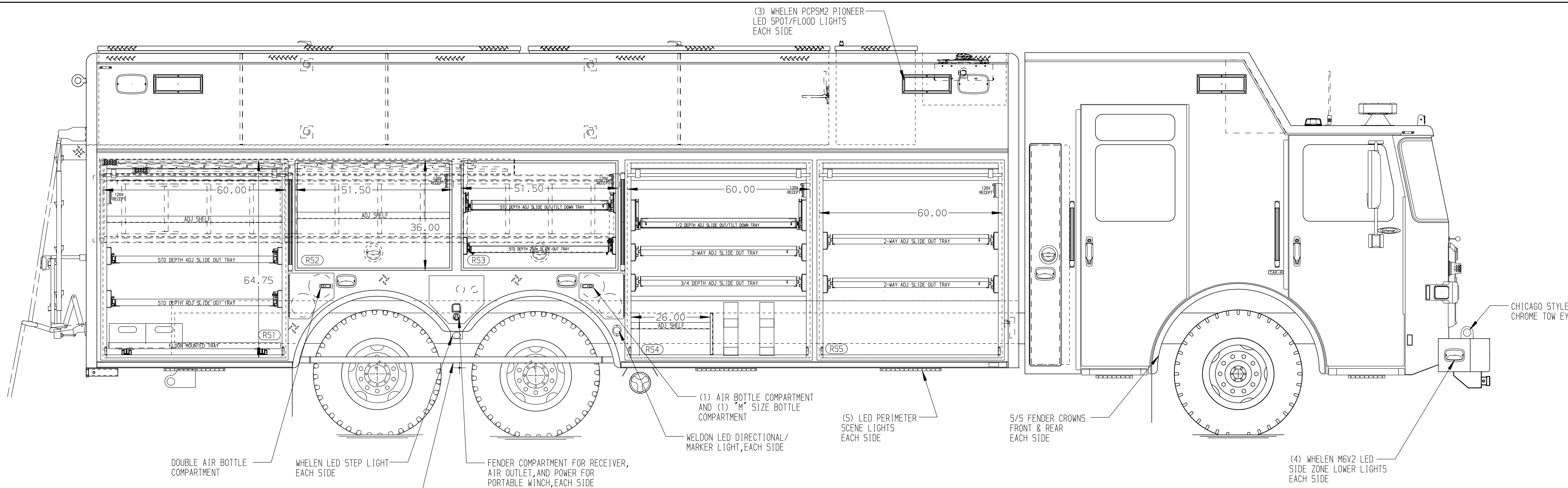


RIGHT SIDE COMPARTMENTS CONTAIN THE FOLLOWING:

- COMPARTMENT RS1 CONTAINS:**
- (1) STD DEPTH ADJ SHELF
 - (2) STD DEPTH ADJ SLIDE OUT TRAYS
 - (1) STD DEPTH FLOOR MOUNTED TRAY
 - (2) POLY TOOL BOXES
 - (1) 20A, 120V DUPLEX RECEPTACLE
- COMPARTMENT RS2 CONTAINS:**
- (1) STD DEPTH ADJ SHELF
 - (1) 20A, 120V DUPLEX RECEPTACLE
- COMPARTMENT RS3 CONTAINS:**
- (1) STD DEPTH ADJ SLIDE OUT TRAY
 - (1) STD DEPTH ADJ SLIDE OUT/TILT TRAY
 - ALUMINUM TREADPLATE ON COMPARTMENT FLOOR
 - (1) 20A, 120V DUPLEX RECEPTACLE
- COMPARTMENT RS4 CONTAINS:**
- (1) ANGLE ON FRAME RAIL
 - (1) 3/4 DEPTH ADJ SLIDE OUT TRAY (#1,000)
 - (1) 2-WAY ADJ SLIDE OUT TRAY (#1,000)
 - (1) 1/2 DEPTH ADJ SLIDE OUT TILT/TRAY
 - ALUMINUM TREADPLATE ON COMPARTMENT FLOOR
 - (2) AIR BREAKER MOUNTING BRACKETS
 - (1) 20A, 120V DUPLEX RECEPTACLE
 - (1) VERTICAL COMPARTMENT DIVIDER (SHORT)
 - (1) STD DEPTH ADJ SHELF
- COMPARTMENT RS5 CONTAINS:**
- (1) CAB LIFT CONTROLLER
 - (1) XANTREX INVERTER
 - (2) 2-WAY ADJ SLIDE OUT TRAYS
 - (1) 20A, 120V DUPLEX RECEPTACLE
 - (1) STREAMLIGHT FIRE VULCAN HANDLIGHT

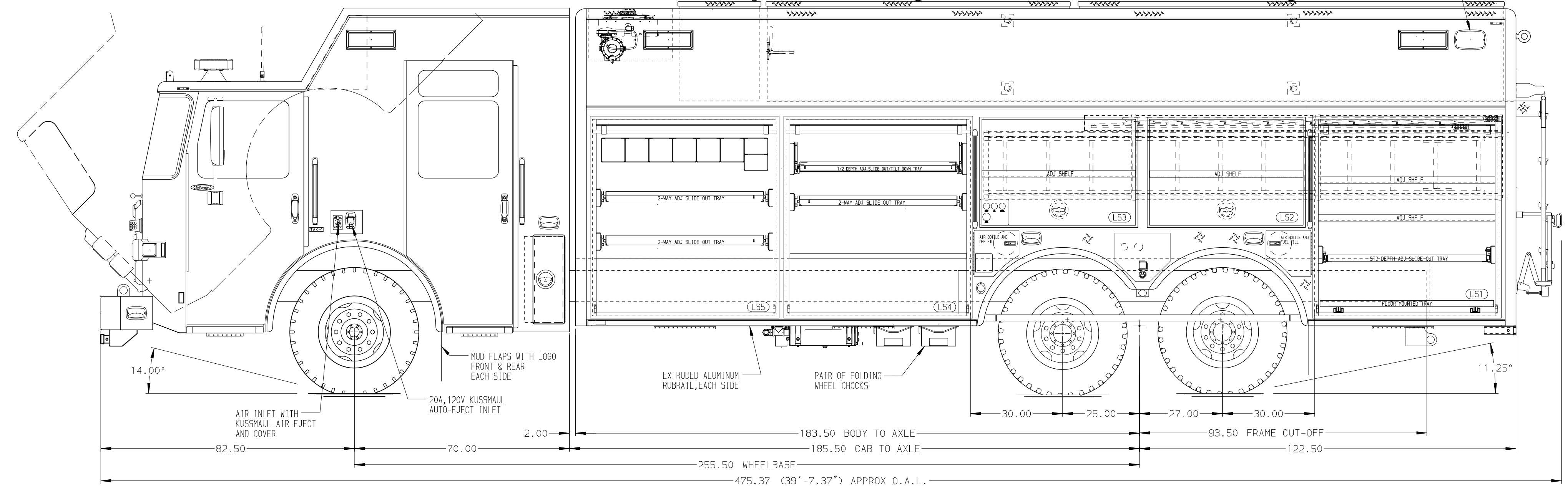


(2) TRUCK-LITE MODEL 44 LED STEP LIGHTS MOUNTED IN TREADPLATE STEP

REAR COMPARTMENT CONTAINS THE FOLLOWING:

COMPARTMENT B1 CONTAINS:

- (1) HORIZONTAL FRAME EXTENSION
- (1) 144" DP SLIDEMASTER TRAY
- (1) RACK FOR THE FOLLOWING:
 - (1) 24'-2-SECTION LADDER
 - (1) 14' ROOF LADDER
 - (1) 10' FOLDING LADDER
 - (2) SETTING TOOLS
 - (3) PIKE POLES
 - (4) LUMBER STORAGE TROUGH
 - (4) STORAGE TUBES
- ALUMINUM TREADPLATE ON COMPARTMENT FLOOR



LEFT SIDE COMPARTMENTS CONTAIN THE FOLLOWING:

COMPARTMENT LS1 CONTAINS:

- (2) STD DEPTH ADJ SHELVES
- (1) STD DEPTH ADJ SLIDE OUT TRAY
- (1) STD DEPTH FLOOR MOUNTED TRAY

COMPARTMENT LS2 CONTAINS:

- (1) STD DEPTH ADJ SHELF

COMPARTMENT LS3 CONTAINS:

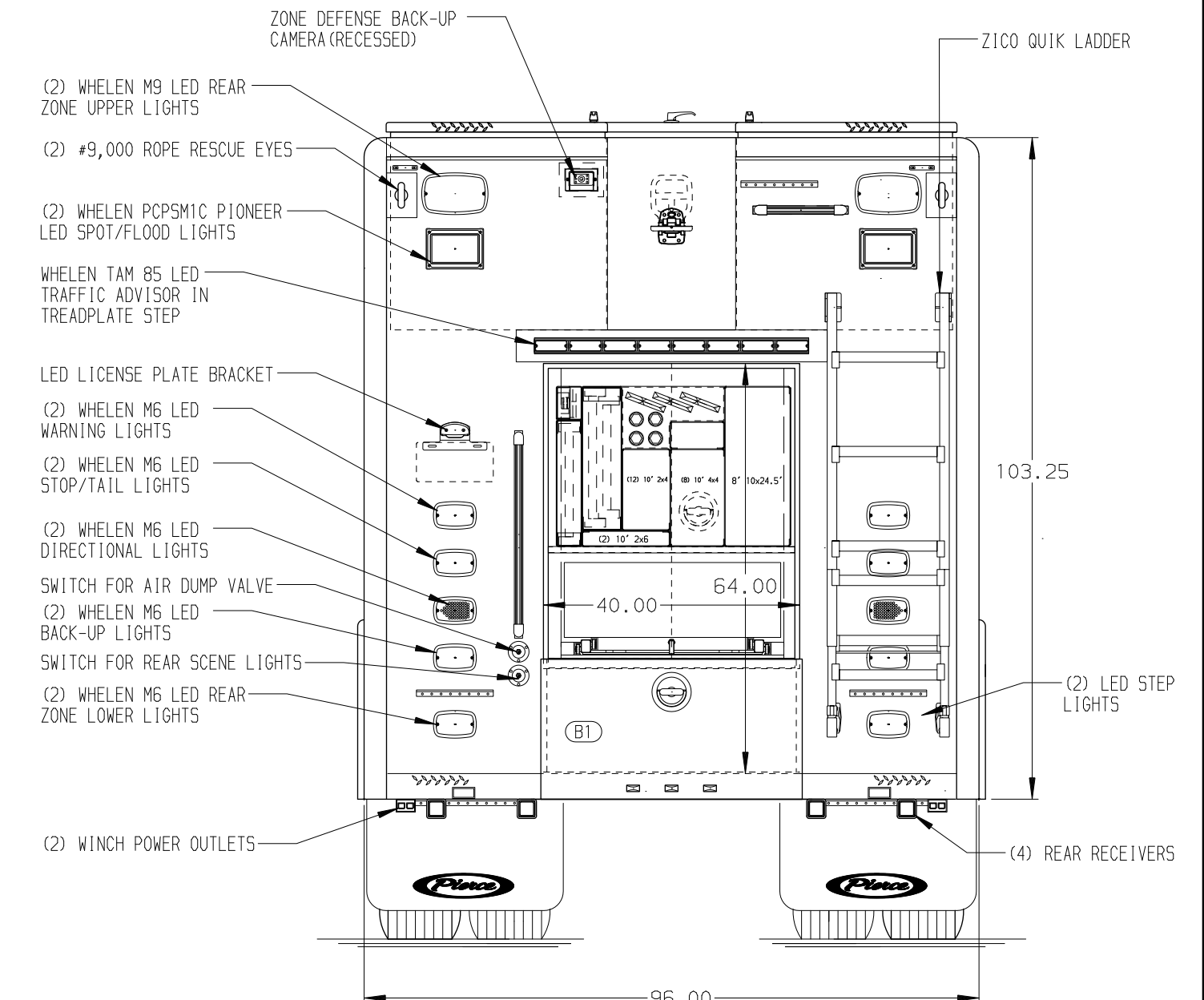
- (1) STD DEPTH ADJ SHELF
- (1) VANAIR SYSTEM CONTROL PANEL

COMPARTMENT LS4 CONTAINS:

- (1) ANGLE ON FRAME RAIL
- (3) 2-WAY ADJ SLIDE OUT TRAY
- (1) 1/2 DEPTH ADJ SLIDE OUT TILT/TRAY
- ALUMINUM TREADPLATE ON COMPARTMENT FLOOR

COMPARTMENT LS5 CONTAINS:

- (1) 8-SLOT EQUIPMENT RACK
- (2) 2-WAY ADJ SLIDE OUT TRAYS
- (1) AIR OUTLET WITH SHUT-OFF VALVE
- (1) STREAMLIGHT FIRE VULCAN HANDLIGHT



NOTE
DIMENSIONS SHOWN ARE APPROXIMATE AND ARE SUBJECT TO MINOR DEVIATIONS AS MAY OCCUR OR BE NECESSARY IN CONSTRUCTION. MINOR DETAILS NOT SHOWN.

- NOTES:**
- WARN #10,000 PORTABLE RECEIVER STYLE WINCH
 - BRUSHED 5/8" SCUFFPLATES ON CAB AND CREW CAB DOOR JAMBS
 - FLOOR IN CAB AND CREW CAB TO BE ALUMINUM TREADPLATE
 - SISTRONICS 4-POSITION INTERCOM SYSTEM
 - ALUMINUM TREADPLATE ON REAR FENDER PANELS
 - SPITZLIFT 4" #700 CAPACITY REMOVABLE CRANE
 - (4) PAIR OF D-STYLE TIE DOWNS MOUNTED ON HATCH COMPART WALLS IN BODY WALKWAY
 - AMOR LED LIGHTS IN ALL BODY AND HATCH COMPARTMENTS
 - TURTL TIE MATTING IN ALL COMPARTMENT SHELVES AND TRAYS, AND HATCH COMPARTMENT FLOORS

NOTE:
LAP DOORS HAVE BEEN SHOWN IN HIDDEN LINES TO CLEARLY IDENTIFY THE EQUIPMENT IN EACH COMPARTMENT. DASHED LINES ON SIDES ARE DOORS IN OPEN POSITION

MAXIMUM O.A.H. 11'-7"
MAXIMUM O.A.L. 40'-5"
SIDE ROLL AND FRONTAL IMPACT PROTECTION

CLEAR DOOR WIDTH KEY		CHASSIS DATA	
AMOR ROLL UP DOORS:	-2 1/4"	DATE	07JAN21
CORTITE ROLL UP DOORS:	-2 1/2"	DHE	DHE
PIERCE DOUBLE LAP DOORS:	-4 1/4"	CDK	CDK
PIERCE LIFT-UP LAP DOORS:	-1 1/2"	MAKE	30NOV20
(EX: 60" F-F - 2 1/4" = 57 3/4" CLEAR)		MODEL	23SEP20
(F-F) = FRAME TO FRAME		PIERCE	07JUL20
		REV	DHE
		BY	CDK
		CH	EN7024

Pierce MANUFACTURING INC.		JOB NO.	35216
		SCALE	1:24
		DATE	
TITLE	HEAVY DUTY RESCUE NON-WALKIN	DRAWN BY	DHE
FOR	PUGET SOUND REGIONAL FIRE AUTHORITY KENT, WASHINGTON	CHECKED BY	AZU
DWG NO.	35216AD	DAN HAYS	23JUN20
		SHEET SIZE	SHEET NO.
		D	1 OF 1