

RIGHT SIDE COMPARTMENTS CONTAIN THE FOLLOWING:

COMPARTMENT RS1 CONTAINS:

- (1) OIL DRY HOPPER
- (4) STD DEPTH FLOOR MOUNTED TRAYS WITH TOOLBOARDS

COMPARTMENT RS2 CONTAINS:

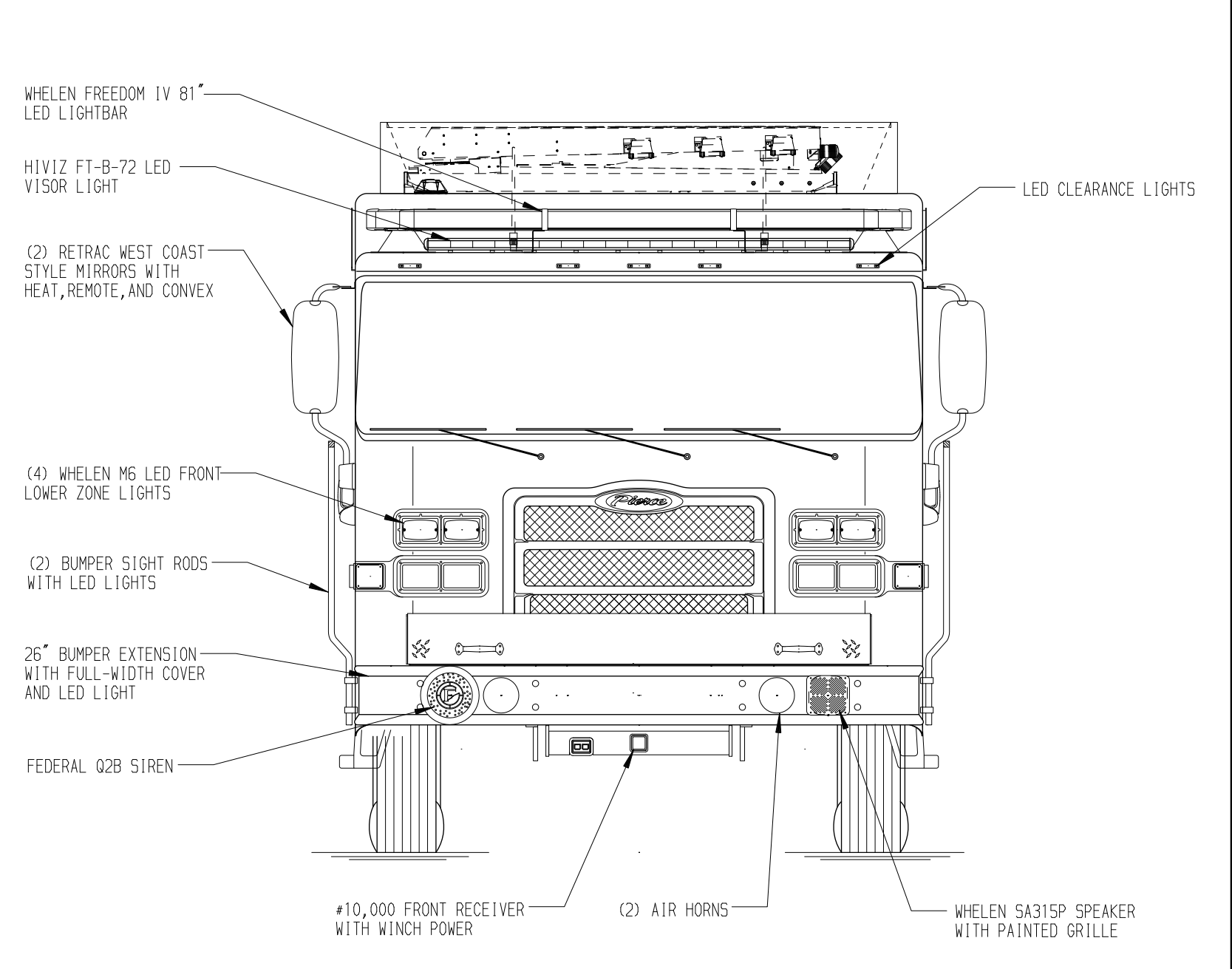
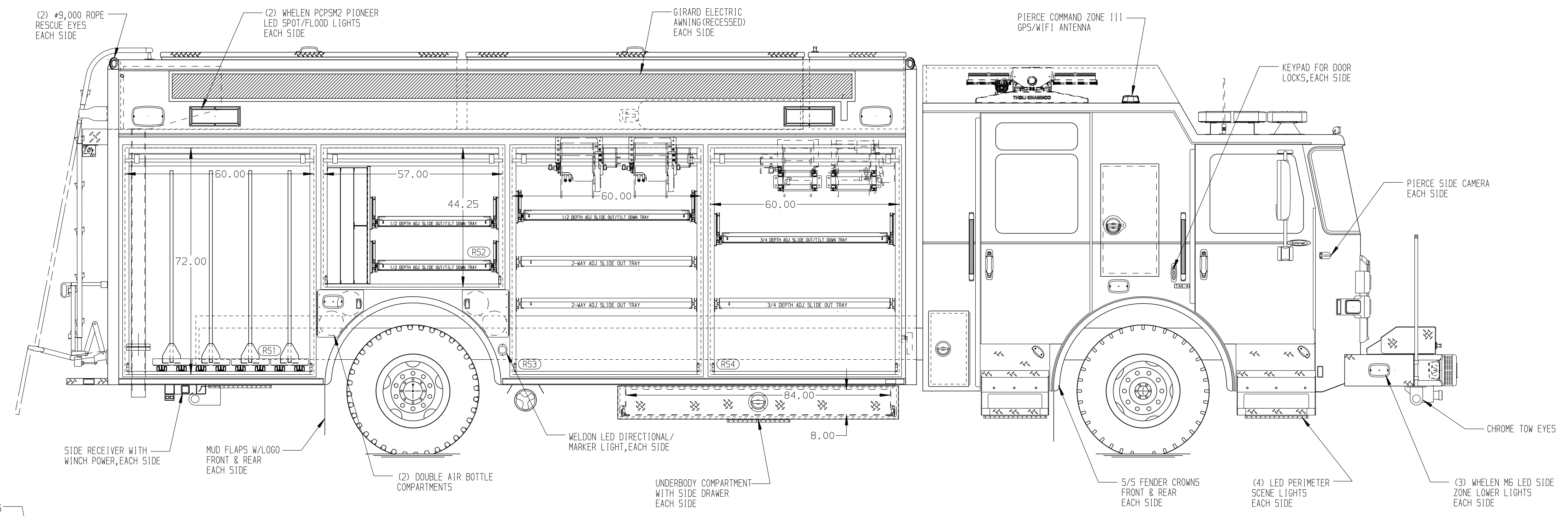
- (1) RACK FOR 4 AIR BAGS
- (2) 1/2 DEPTH ADJ SLIDE OUT/TILT TRAYS
- (1) VERTICAL COMPARTMENT DIVIDER

COMPARTMENT RS3 CONTAINS:

- (2) 2-WAY ADJ SLIDE OUT TRAYS
- (1) 1/2 DEPTH ADJ SLIDE OUT/TILT TRAY
- MOUNTING PROVISIONS FOR CUSTOMER SUPPLIED HYDRAULIC REELS

COMPARTMENT RS4 CONTAINS:

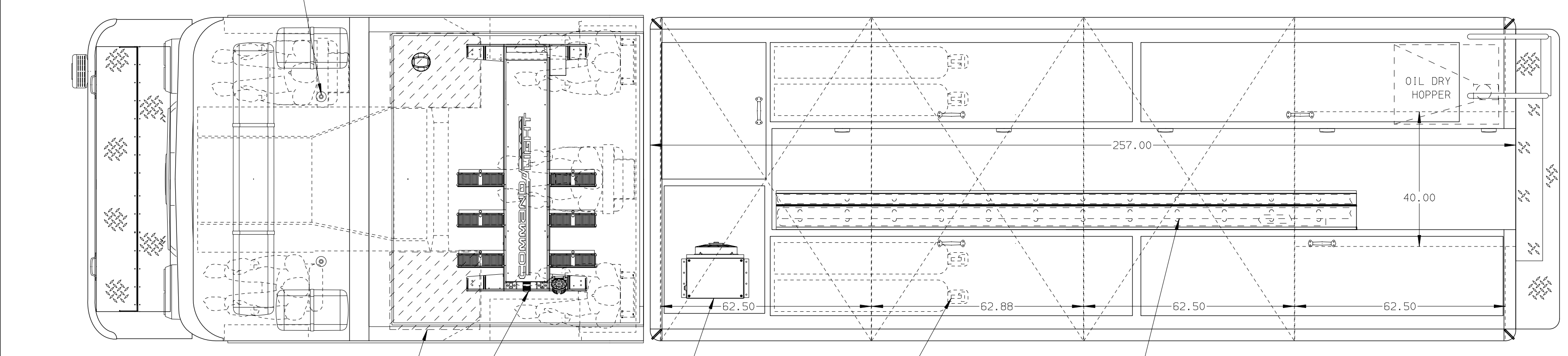
- (1) CAB LIFT CONTROLLER
- (1) 3/4 DEPTH ADJ SLIDE OUT TRAY
- (1) ELECTRIC CORD REEL WITH 200' OF 10/3 YELLOW CORD
- (1) LOW PRESSURE AIR REEL W/200' OF HOSE



REAR COMPARTMENT CONTAINS THE FOLLOWING:

COMPARTMENT B1 CONTAINS:

- (1) HORIZONTAL FLOOR EXTENSION
- (1) LINGERER STORAGE COMPARTMENT
- (1) 60\"/>



LEFT SIDE COMPARTMENTS CONTAIN THE FOLLOWING:

COMPARTMENT LS1 CONTAINS:

- (1) RACK FOR 10 SCBA BOTTLES
- (1) VERTICAL COMPARTMENT DIVIDER
- (2) STD DEPTH ADJ SHELVES
- (1) STD DEPTH FIXED SHELF
- (1) CASCADE SYSTEM CONTROL PANEL
- (1) SPACESAVER 2-BOTTLE FILL ENCLOSURE
- (1) HIGH PRESSURE AIR REEL W/200' OF HOSE

COMPARTMENT LS2 CONTAINS:

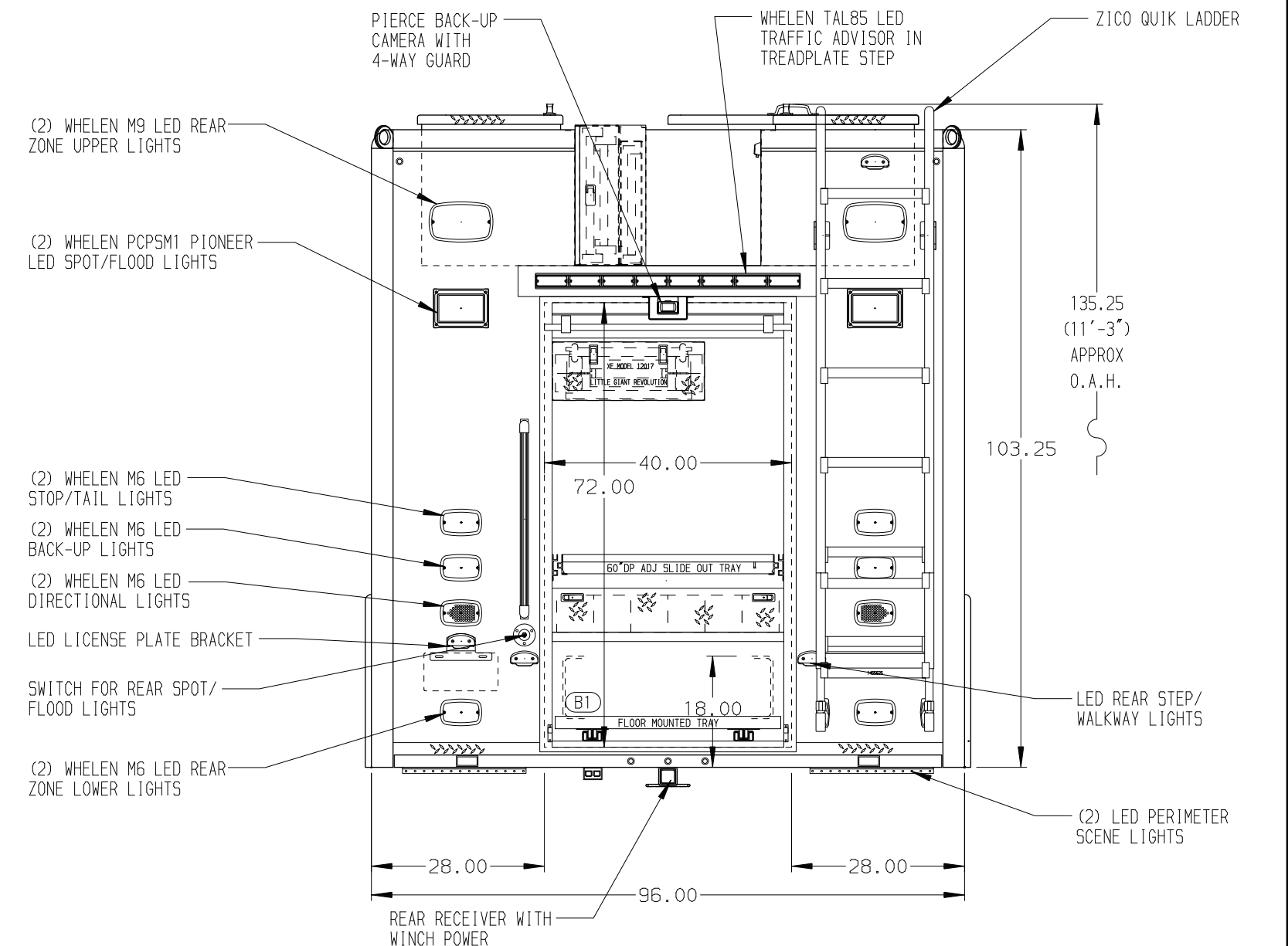
- (2) 1/2 DEPTH ADJ SLIDE OUT/TILT TRAYS

COMPARTMENT LS3 CONTAINS:

- (1) HORIZONTAL ROLLER ON COMPARTMENT FLOOR
- (2) 2-WAY ADJ SLIDE OUT TRAYS
- (1) 1/2 DEPTH ADJ SLIDE OUT/TILT TRAY
- (4) POLY TOOL BOXES
- MOUNTING PROVISIONS FOR CUSTOMER SUPPLIED HYDRAULIC REELS

COMPARTMENT LS4 CONTAINS:

- (1) 7-DRAWER C-TECH CABINET
- (1) STD DEPTH FIXED SHELF
- (1) CIRCUIT BREAKER PANEL
- (1) GENERATOR METER PANEL
- (1) COMMAND LIGHT CONTROLLER
- (1) ELECTRIC CORD REEL WITH 200' OF 10/3 YELLOW CORD
- (1) LOW PRESSURE AIR REEL W/200' OF HOSE
- (1) REAR WALL DIVIDER (LOWER PORTION)
- MOUNTING BRACKET FOR HYD POWER UNIT
- (1) 6-PLACE RECEPTACLE STRIP



NOTE

DIMENSIONS SHOWN ARE APPROXIMATE AND ARE SUBJECT TO MINOR DEVIATIONS AS MAY OCCUR OR BE NECESSARY IN CONSTRUCTION. MINOR DETAILS NOT SHOWN.

NOTES:

- ONAN 25kW SINGLE PHASE PTO DRIVEN GENERATOR LOCATED BETWEEN THE FRAME RAILS
- BRAKE SYSTEM AIR COMPRESSOR LOCATED BEHIND THE DRIVER'S SEAT
- WARN ZEON #10,000 PORTABLE WINCH
- POLISHED 5/5 S/S SCUFFPLATES ON CAB AND CREW CAB DOOR JAMBS
- FLOOR IN CAB AND CREW CAB TO BE ALUMINUM TREADPLATE
- BATTERY CHARGE INDICATOR LOCATED IN THE DRIVER'S SEAT RISER
- 5/5 GUARDS ON ALL BODY ROLL-UP DOORS
- AMOR LED LIGHTS LOCATED IN ALL BODY AND HATCH COMPARTMENTS
- 20A, 120V 6-PLACE RECEPTACLE LOCATED IN PASSENGER'S SIDE EMS CABINET

(SIDE ROLL AND FRONTAL IMPACT PROTECTION)

CLEAR DOOR WIDTH KEY		CHASSIS DATA	
AMOR ROLL UP DOORS:	-2 1/4"	23FEB21	DHE CDK
CURTILE ROLL UP DOORS:	-2 1/2"	29DEC20	DHE CDK
PIERCE DOUBLE LAP DOORS:	-4 1/4"	18SEP20	DHE CDK
PIERCE LIFT-UP LAP DOORS:	-1 1/2"		
(EX: 60" F-F - 2 1/4" = 57 3/4" CLEAR)		REV	DATE
		BY	CH
		EN7010	

		JOB NO.	35192
		SCALE	DATE
TITLE	HEAVY DUTY RESCUE NON-WALK-IN	DRAWN BY	DHE 11SEP20
FOR	PRINCE GEORGE COUNTY VIRGINIA	CHECKED BY	CDK 14SEP20
DWG NO.	BID #344	SHEET SIZE	SHEET NO.
	DREW SMYTHERS	D	1 OF 1

35192AD