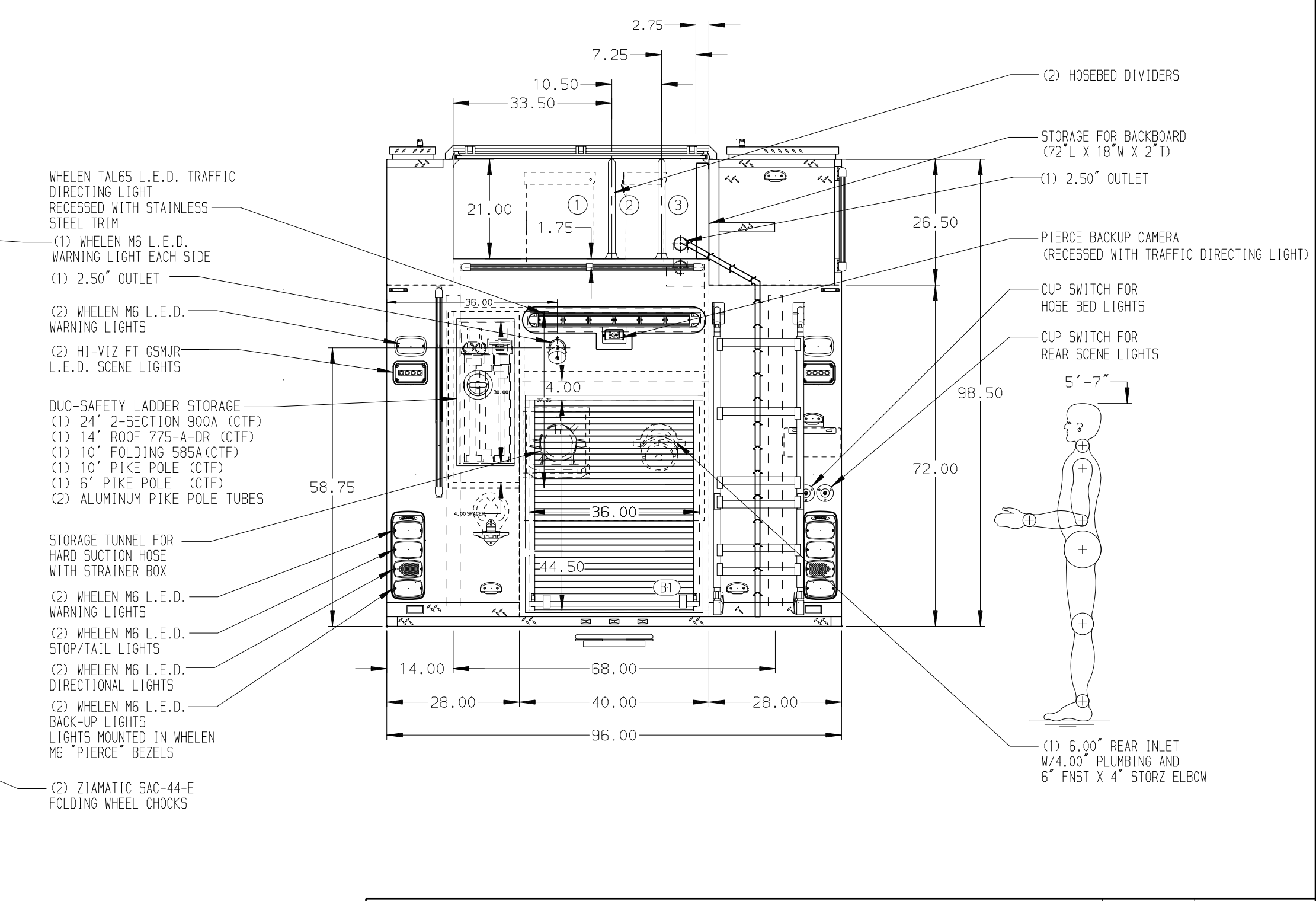
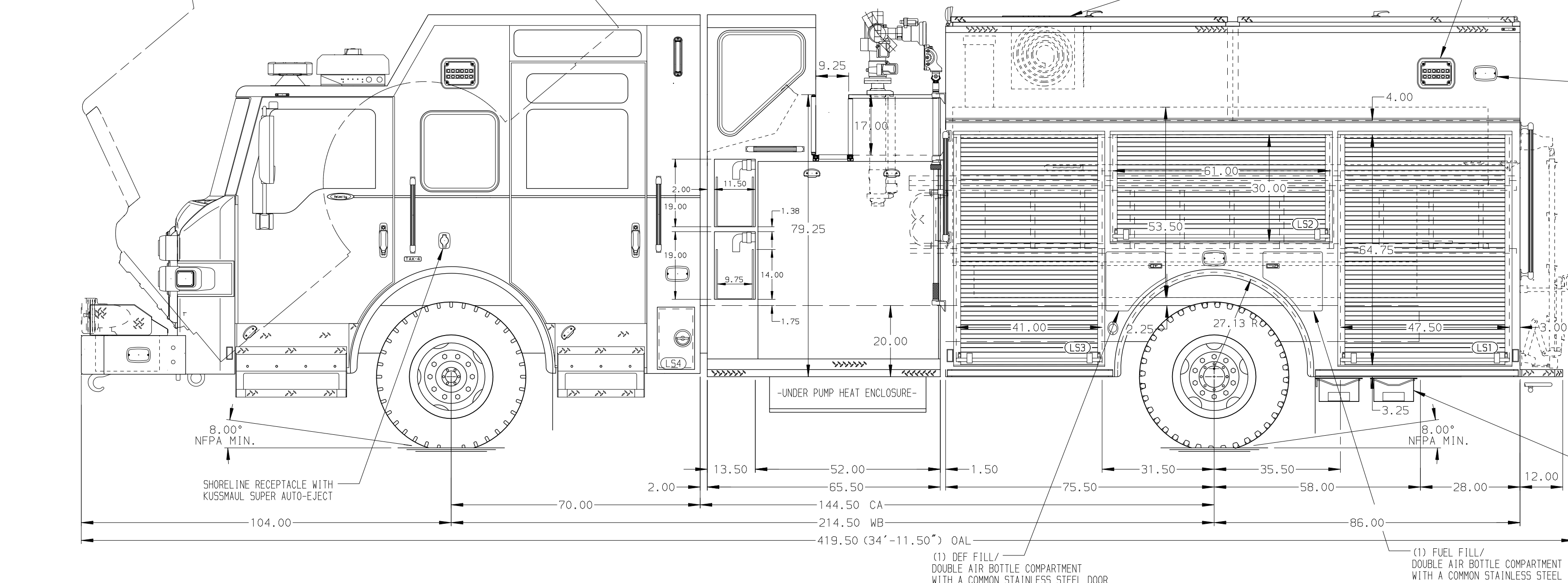


HOSEBED CAPACITIES

① 1000' OF 4.00" D.J. HOSE

② 200' OF 2.50" D.J. HOSE

③ 200' OF 2.50" D.J. HOSE



ALUMINUM BODY

FRONTAL IMPACT PROTECTION

NOTE
DIMENSIONS SHOWN ARE APPROXIMATE AND ARE SUBJECT TO MINOR DEVIATIONS AS MAY OCCUR OR BE NECESSARY IN CONSTRUCTION. MINOR DETAILS NOT SHOWN.

- INSTA-CHAIN AUTOMATIC TIRE CHAINS TO BE PROVIDED AT REAR
- BATTERY CHARGER/COMPRESSOR LOCATED BEHIND THE DRIVER'S SEAT
- BATTERY CHARGE INDICATOR LOCATED NEAR DRIVER'S SEAT RISER WITH BRACKET
- DUAL L.E.D. LIGHT STRIPS LOCATED IN HOSE BED
- ELASTIC PULL STRAP FOR DOOR ON COMPARTMENT LS1,LS2,LS3,RS1,RS2,RS3
- DRIP PAN GUARD FOR ROLL-UP DOOR LOCATED LS1,LS2,LS3,RS1,RS2,RS3
- FULL WIDTH/DEPTH ADJUSTABLE SHELVES TWO IN LS3, RS1, AND RS3
- ONE FLOOR MOUNTED SLIDE-OUT TRAY IN COMPARTMENT LS1, RS1
- TWO SLIDE-OUT TOOL BOARDS WITH PEGBOARD PATTERN IN COMPARTMENT LS1
- TWO SWING-OUT TOOL BOARDS WITH PEGBOARD PATTERN IN COMPARTMENT RS2

- CTECH DRAWER ASSEMBLY IN COMPARTMENT LS3
- ONE VERTICAL PARTITION IN COMPARTMENT LS1
- ONE PERMANENT SHELF LOCATED IN COMPARTMENT B1
- ZICO SCBA ULLH BRACKETS IN LS2
- ONE 6-PLACE RECEPTACLE STRIP IN LS3
- ONE 120V NEMA DUPLEX RECEPTACLE IN RS1

REV	DATE	BY	CH	VELOCITY FR
07DEC20	LST	MSA	MAKE	
22OCT20	LST	MSA	PIERCE	
25AUG20	JWO	KOU	MODEL	

		JOB NO.	35180
		SCALE	DATE
TITLE	1500-D-1000P, 980 GAL WATER W/20 GAL FOAM, 161" BODY	DRAWN BY	JWO
FOR	(1) CROSSLAY (2) SPEEDLAYS, ENCLOSED TM, DELUGE	CHECKED BY	KOU
	CITY OF CLEARWATER	SHEET SIZE	SHEET NO.
	CLEARWATER, MINNESOTA	DWG NO.	35180AD
			1 OF 1