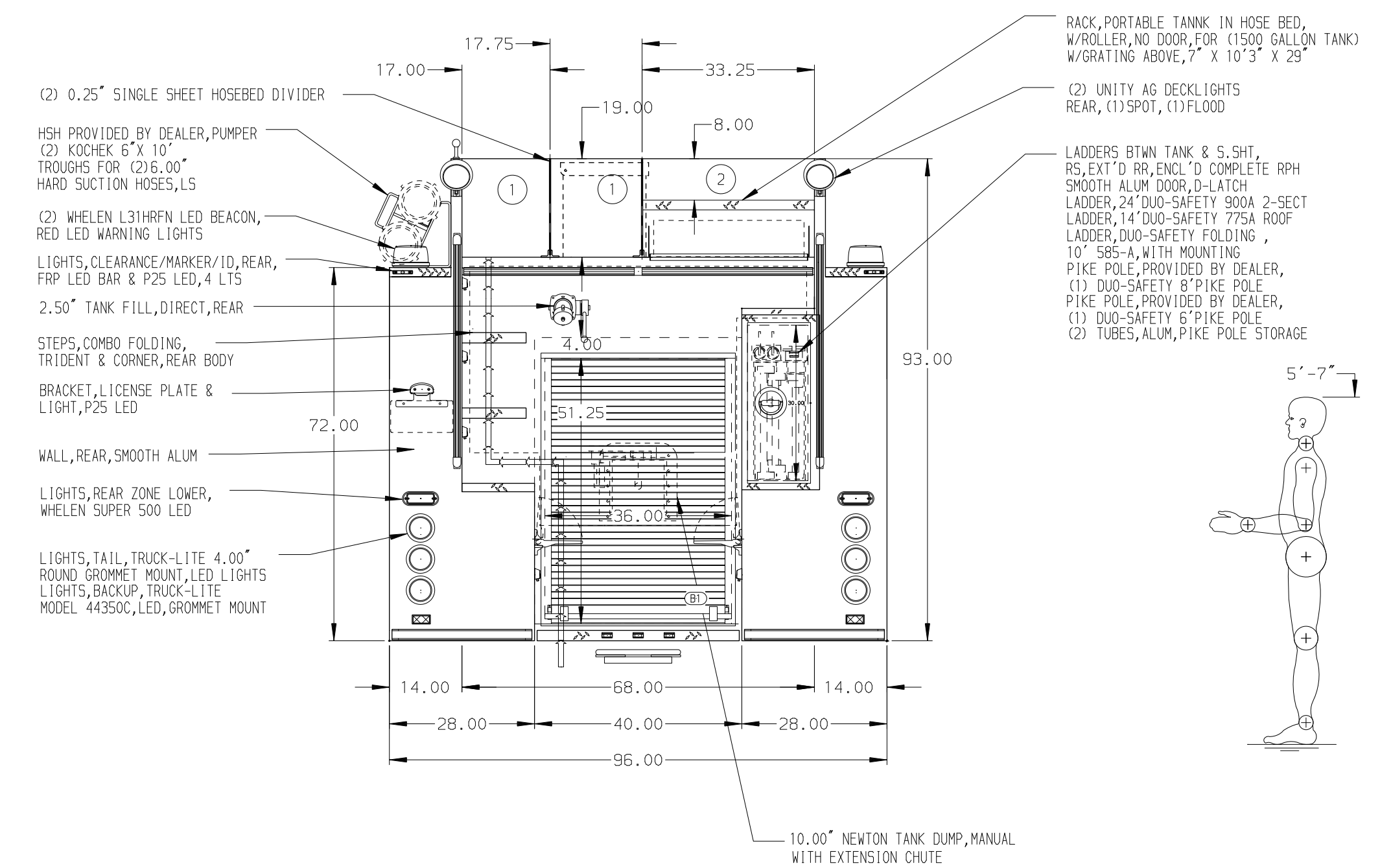
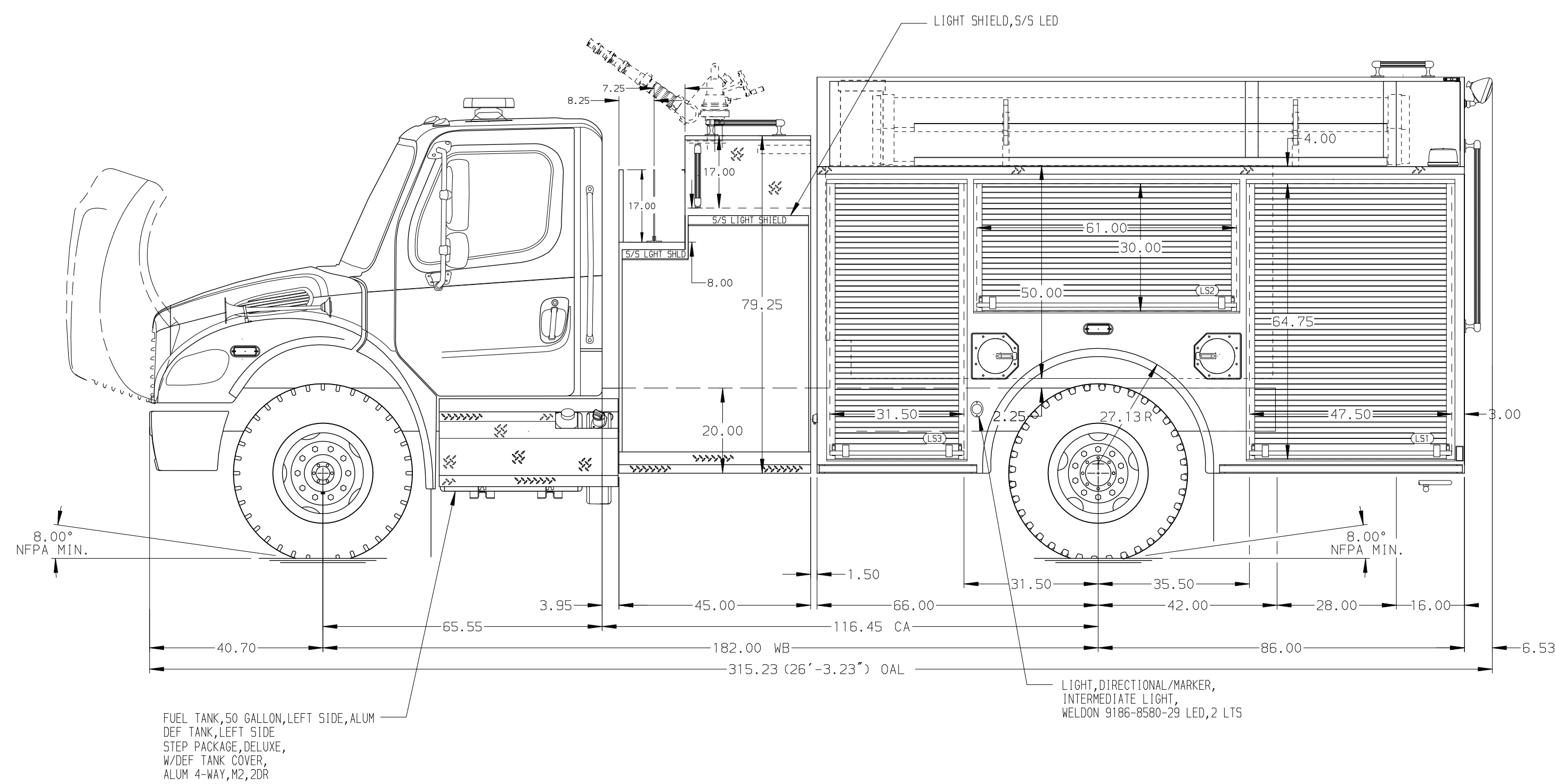


- HOSEBED CAPACITIES
- ① 1000' OF 2.50" D.J. POLY HOSE
  - ② 300' OF 1.75" D.J. POLY HOSE



ALUMINUM BODY

NOTE  
DIMENSIONS SHOWN ARE APPROXIMATE AND ARE SUBJECT TO MINOR DEVIATIONS AS MAY OCCUR OR BE NECESSARY IN CONSTRUCTION. MINOR DETAILS NOT SHOWN.

		JOB NO.	35172
		SCALE	1:24
<b>Pierce MANUFACTURING INC.</b>		TITLE	1250-D-1000 POLY, 152" BODY, DS&PS FULL HGT FDLER 45" SIDE CONTROL, (2) 1.5" CROSSSLAYS
		FOR	DYER COUNTY FIRE DEPARTMENT DYERSBURG, TENNESSEE
		DWG NO.	35172AD
		SHEET NO.	1 OF 1

REV	DATE	BY	CH	M2-106
29OCT20	JLA	NAS		CHASSIS DATA
14OCT20	JLA	NAS		MAKE
13AUG20	JLA	RWI		FL
				MODEL