

PUMPER BODY
Medium Aluminum 2nd Gen Pumper

CHASSIS
Enforcer Chassis

CHASSIS AXLE, FRONT, CUSTOM
19,500 Lb TAK-4 Axle

AXLE, REAR
27,000 Lb Meritor Axle

ENGINE
450 HP Cummins L9 Engine

TRANSMISSION
Allison 5th Gen, 3000 EVS P

BUMPER
19" Extended Stainless Steel

CAB
7010 Enforcer Cab

BODY WATER TANK
970 Gallon Poly Water Tank

COMPT, PUMPER, REAR
51.25" FF RollUp Rear Compt

COMPT, PUMPER, LEFT SIDE
152" RollUp Full Height Front & Rear FDLR

COMPT, PUMPER, RIGHT SIDE
152" RollUp Full Height Front & Rear FDLR

FIRE SUPPRESSION PUMPHOUSE
48" Control Zone Side Mount

PUMP
1500 GPM Waterous CSU

CROSSLAYS, 1.50"
1.50" Crosslays Not Required

CROSSLAYS, 2.50"
2.50" Crosslay Not Required

SPEEDLAYS
(2) 1.50" W/Tray Std. Capacity

GENERATOR
Generator Not Required

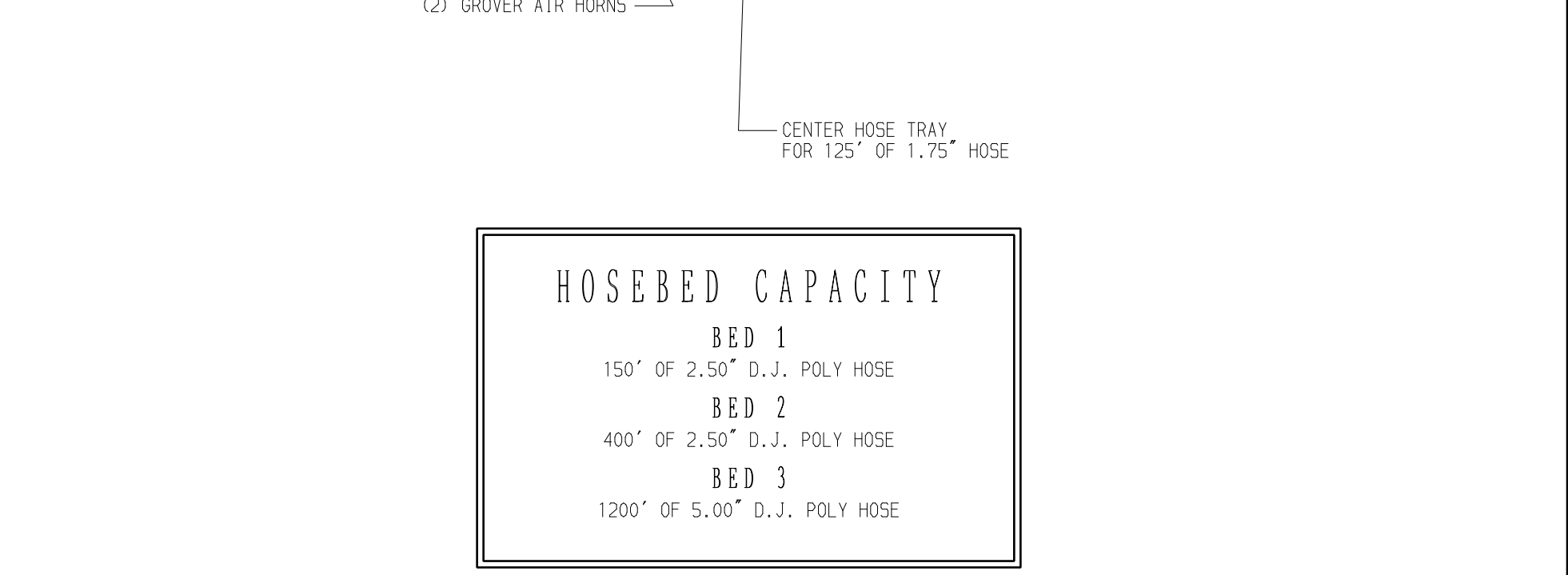
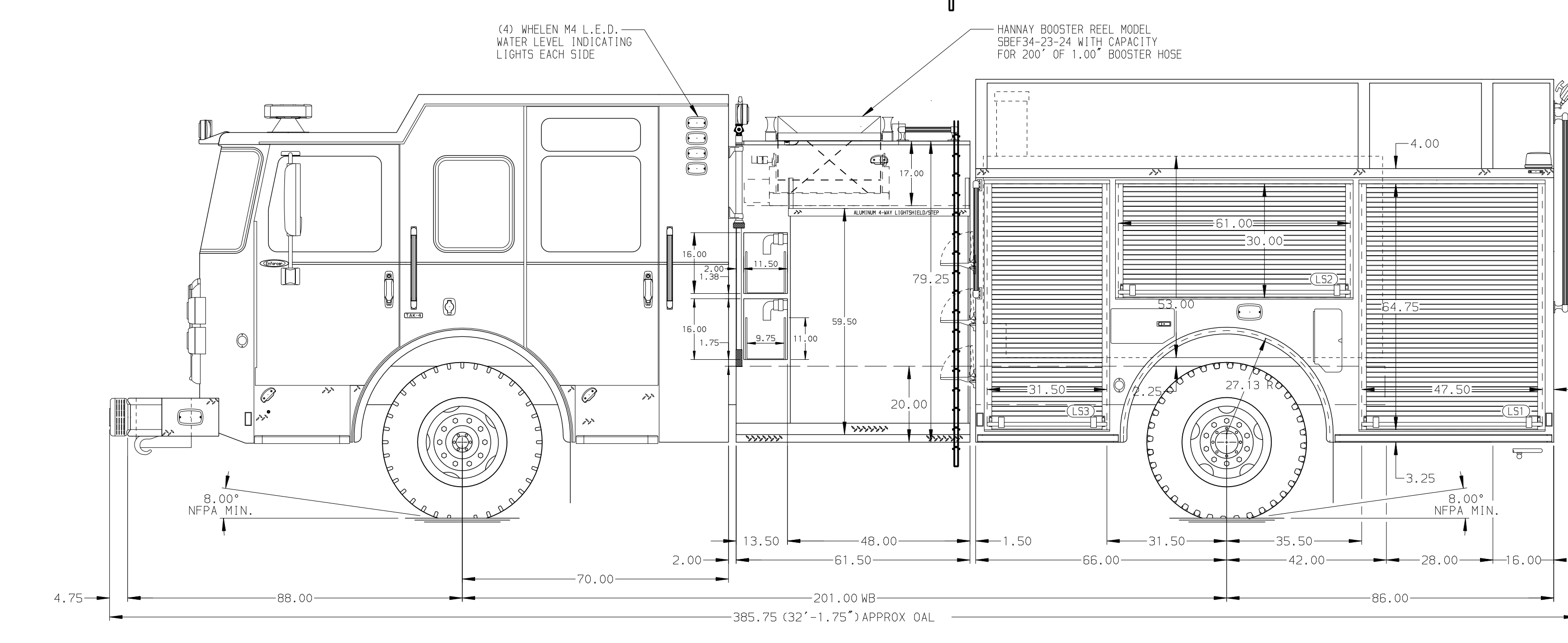
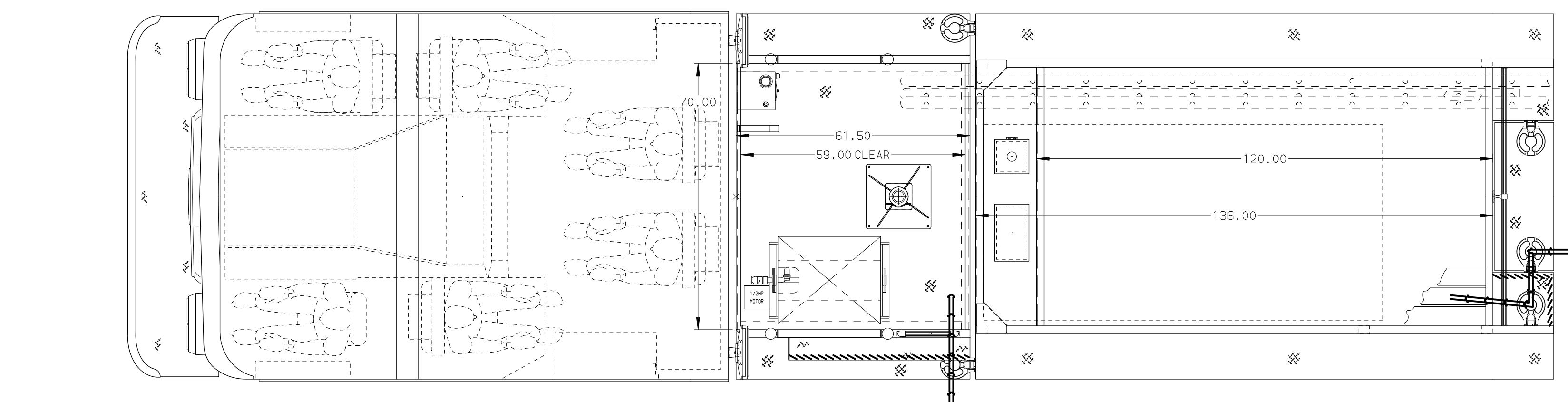
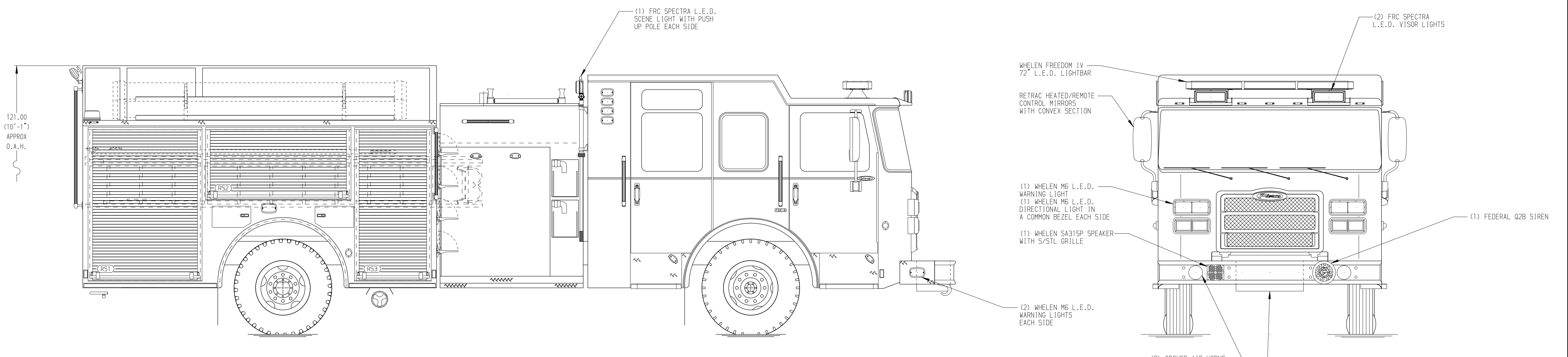
Foam System
Husky 12 Single Agent Foam System

Foam Cell
30 Gallon Foam Cell, Reduced Water

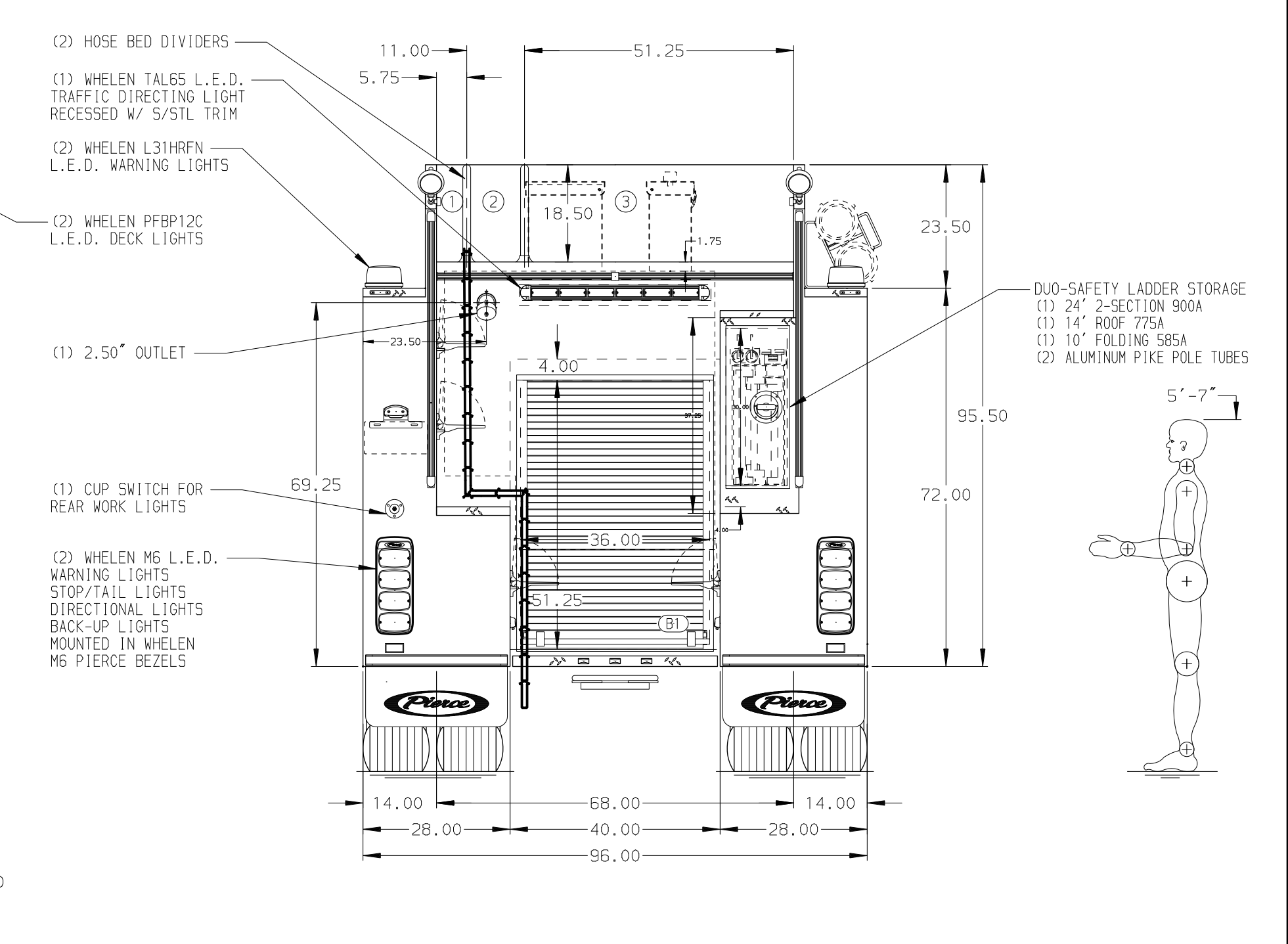
Side Roll and Frontal Impact Protection

NOTE
DIMENSIONS SHOWN ARE APPROXIMATE AND ARE SUBJECT TO MINOR DEVIATIONS AS MAY OCCUR OR BE NECESSARY IN CONSTRUCTION. MINOR DETAILS NOT SHOWN.

1. AUTOMATIC TIRE CHAINS
2. ONE 1.50" OUTLET WITH 2.00" PIPING AND SWIVEL LOCATED IN CENTER BUMPER TRAY
3. SHORELINE RECEPTACLE WITH KUSSMALL SUPER AUTO-EJECT LOCATED ON DRIVER SIDE OF THE CAB
4. AIR INLET WITH DISCONNECT COUPLING IN THE DRIVER SIDE STEPWELL
5. BATTERY CHARGER LOCATED IN COMPARTMENT PER SHOP ORDER
6. BATTERY CHARGE INDICATOR LOCATED ON THE DRIVER SIDE SEAT RISER
7. FIVE ADJUSTABLE SHELVES LOCATED PER SHOP ORDER
8. ONE FLOOR MOUNTED SLIDE-OUT TRAY LOCATED PER SHOP ORDER
9. ONE SWING-OUT TOOLBOARD LOCATED PER SHOP ORDER
10. ALUMINUM PEGBOARD LOCATED PER SHOP ORDER
11. TWO 120V 6-PLACE RECEPTACLE STRIPS LOCATED PER SHOP ORDER



HOSEBED CAPACITY	
BED 1	150' OF 2.50" D.J. POLY HOSE
BED 2	400' OF 2.50" D.J. POLY HOSE
BED 3	1200' OF 5.00" D.J. POLY HOSE



Pierce MANUFACTURING INC.		JOB NO.	35171
		SCALE	DATE
		1:24	08JUL20
		DRAWN BY	COL
		CHECKED BY	NPE
		SHEET SIZE	SHEET NO.
		D	1 OF 1

TITLE	Pierce Pumper Approval Drawing
MAKE	PIERCE
MODEL	ENFORCER
REV	DATE
04AUG20	COL JGO
BY	CH

35171AD