

**RIGHT SIDE COMPARTMENTS CONTAIN THE FOLLOWING:**

**COMPARTMENT R51 CONTAINS:**

- (3) STD DEPTH ADJ SHELVES
- (1) POLY TOOL BOX
- (1) VERTICAL COMPARTMENT DIVIDER
- (1) 15A, 120V 7-PLACE RECEPTACLE STRIP
- (1) ZICO QM-MEH-1-R 3-PLACE HYDRAULIC TOOL HOLDER
- (2) RACKS FOR 6 TOTAL AIR BAGS

**COMPARTMENT R52 CONTAINS:**

- (1) STD DEPTH ADJ SLIDE OUT/TILT TRAY
- (1) RACK FOR 14 SCBA BOTTLES

**COMPARTMENT R53 CONTAINS:**

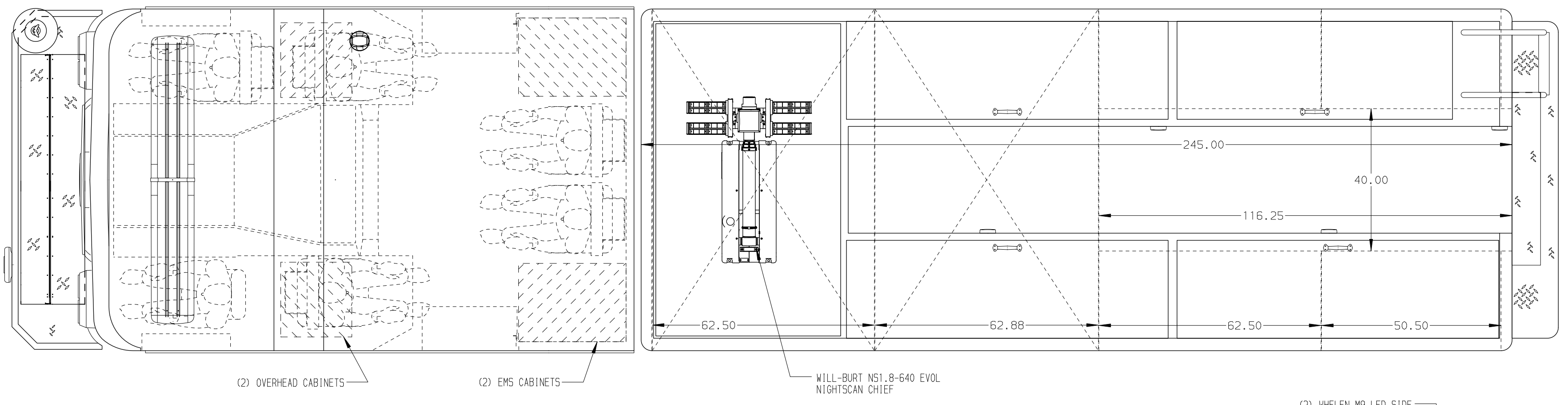
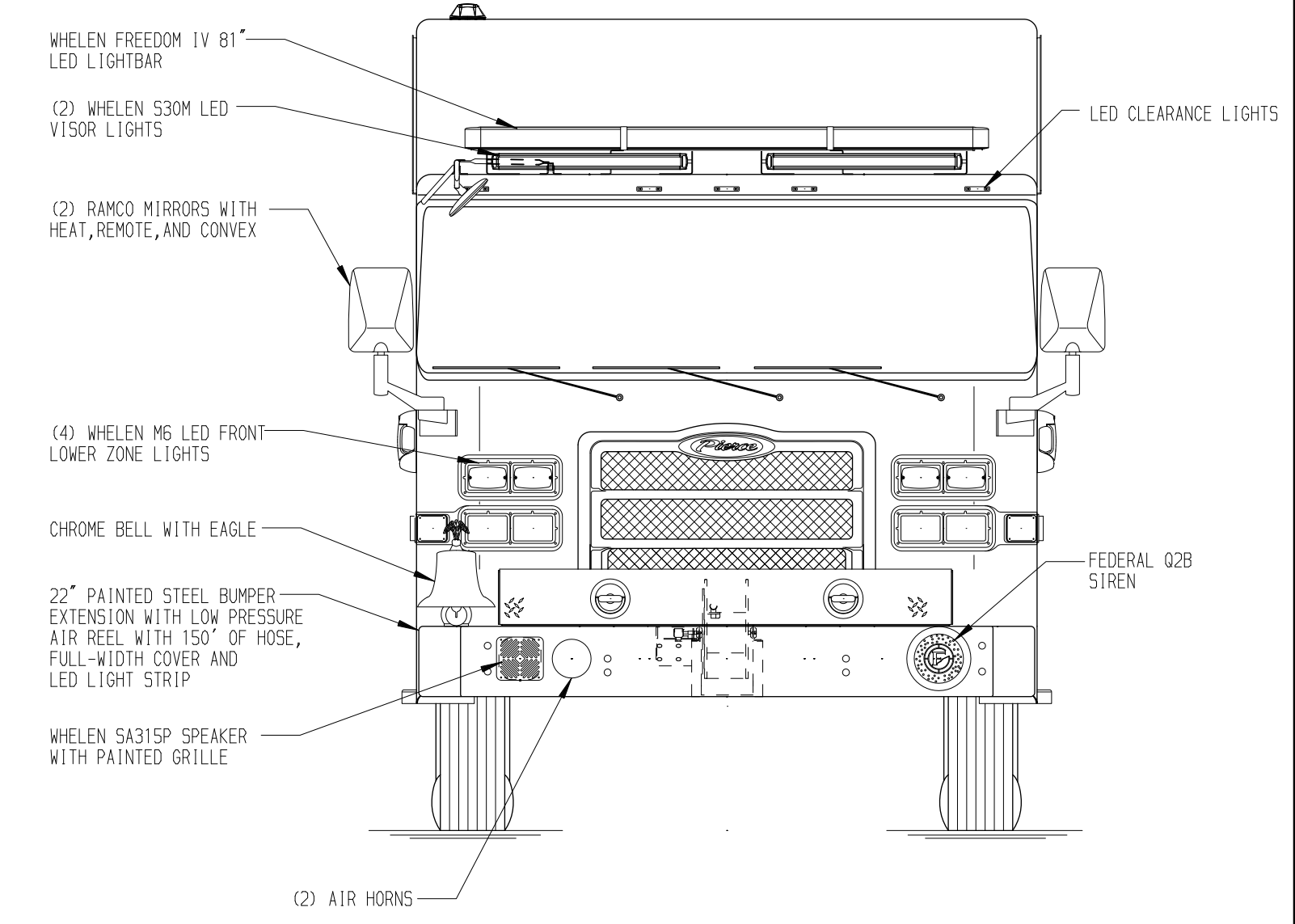
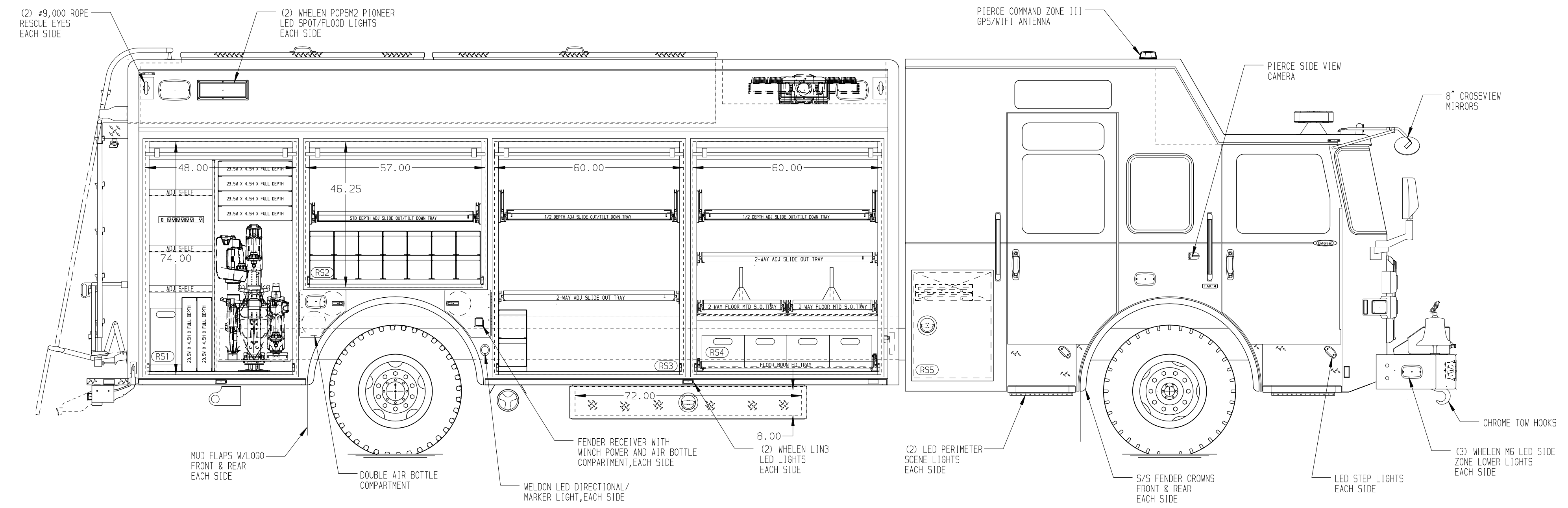
- (1) 2-WAY ADJ SLIDE OUT TRAY
- (1) 1/2 DEPTH ADJ SLIDE OUT/TILT TRAY
- (1) RACK FOR 2 EXTINGUISHERS

**COMPARTMENT R54 CONTAINS:**

- (1) CAB LIFT CONTROLLER
- (2) 2-WAY FLOOR MTD SLIDE OUT TRAYS WITH TOOLBOARD
- (1) 2-WAY ADJ SLIDE OUT TRAY
- (1) 1/2 DEPTH ADJ SLIDE OUT/TILT TRAY
- (1) FLOOR MOUNTED TRAY WITH SIDE SLIDES
- (4) POLY TOOL BOXES
- (1) HORIZONTAL FLOOR EXTENSION

**COMPARTMENT R55 CONTAINS:**

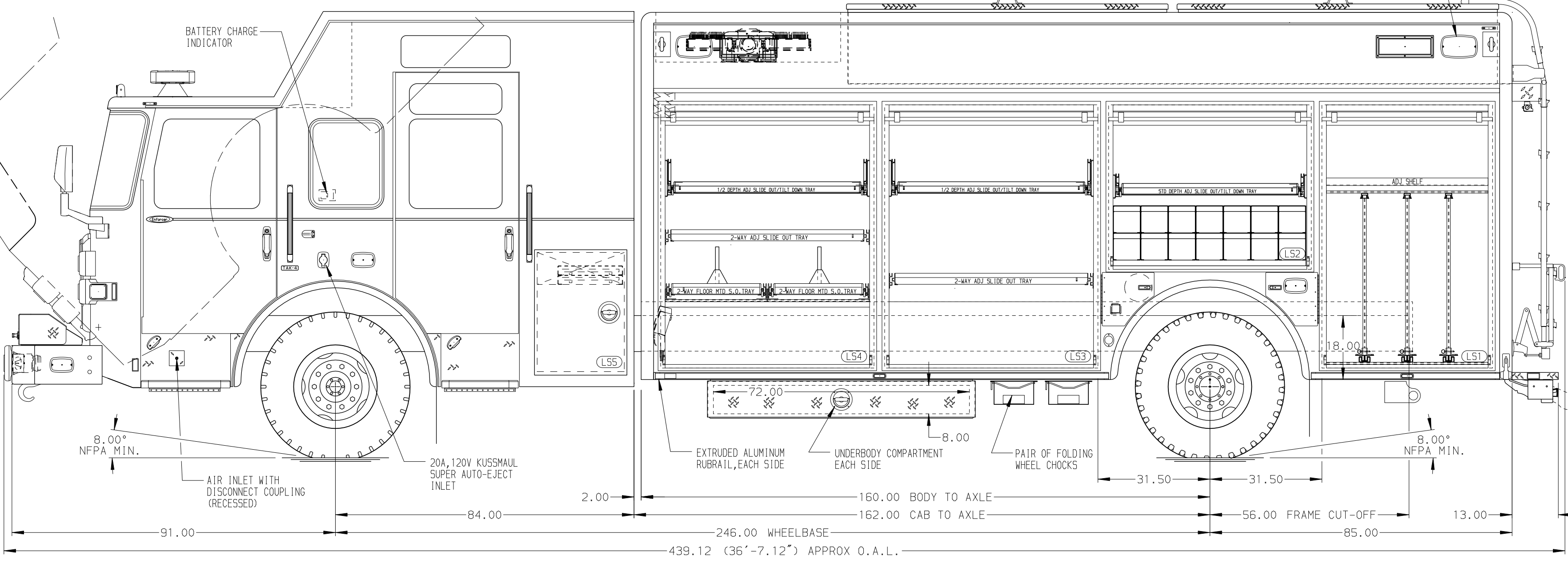
- (1) RACK FOR 2 BACKBOARDS



**REAR COMPARTMENT CONTAINS THE FOLLOWING:**

**COMPARTMENT B1 CONTAINS:**

- (1) 110\"/>



**LEFT SIDE COMPARTMENTS CONTAIN THE FOLLOWING:**

**COMPARTMENT LS1 CONTAINS:**

- (1) STD DEPTH ADJ SHELF
- (3) STD DEPTH ADJ SLIDE OUT TOOLBOARDS
- PEGBOARD ON REAR WALL OF COMPARTMENT
- PEGBOARD ON SIDE WALLS OF COMPARTMENT

**COMPARTMENT LS2 CONTAINS:**

- (1) STD DEPTH ADJ SLIDE OUT/TILT TRAY
- (1) RACK FOR 14 SCBA BOTTLES

**COMPARTMENT LS3 CONTAINS:**

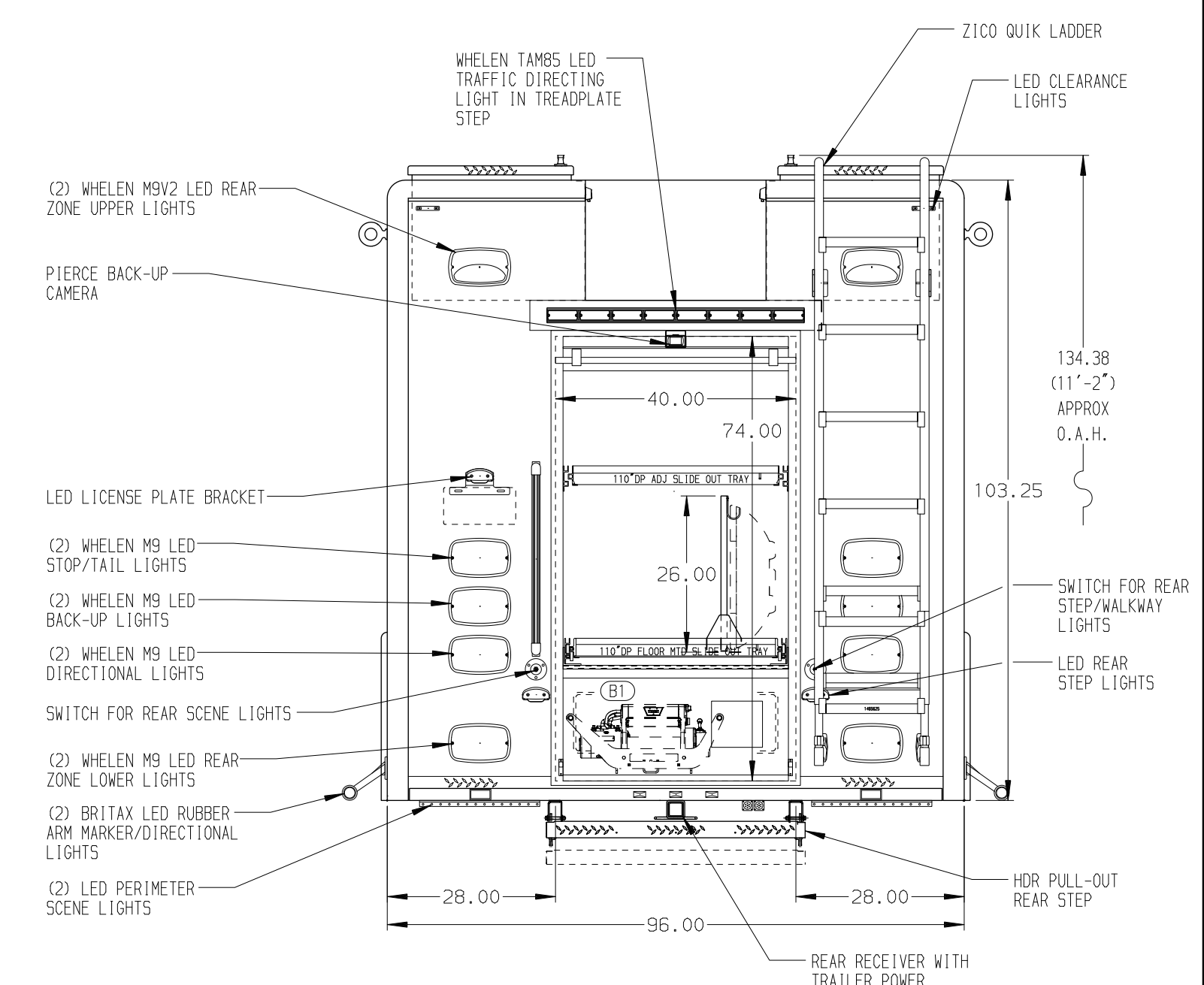
- (1) 2-WAY ADJ SLIDE OUT TRAY
- (1) 1/2 DEPTH ADJ SLIDE OUT/TILT TRAY

**COMPARTMENT LS4 CONTAINS:**

- (1) JOTA 75A CHARGER
- (2) 2-WAY FLOOR MTD SLIDE OUT TRAYS WITH TOOLBOARDS
- (1) 2-WAY ADJ SLIDE OUT TRAY
- (1) 1/2 DEPTH ADJ SLIDE OUT/TILT TRAY
- (1) NIGHTSCAN CONTROLLER
- (1) HORIZONTAL FLOOR EXTENSION

**COMPARTMENT LS5 CONTAINS:**

- (1) RACK FOR 2 BACKBOARDS



**NOTE**

DIMENSIONS SHOWN ARE APPROXIMATE AND ARE SUBJECT TO MINOR DEVIATIONS AS MAY OCCUR OR BE NECESSARY IN CONSTRUCTION. MINOR DETAILS NOT SHOWN.

- NOTES:**
- KUSSMAUL BRAKE SYSTEM AIR COMPRESSOR BEHIND DRIVER'S SEAT
  - FLOOR IN CAB AND CREW CAB TO BE PADDED RUBBER
  - (4) STREAMLIGHT FIRE VULCAN HANDLIGHTS IN CAB
  - FIRECOM 5100D INTERCOM SYSTEM
  - (2) 20A, 120V DUPLEX RECEPTACLES, (1) ABOVE EACH FORWARD FACING CABINET
  - ELASTIC PULL STRAPS ON ALL BODY ROLL-UP DOORS
  - PIERCE LED STRIP LIGHTS IN ALL BODY AND HATCH COMPARTMENTS
  - LED STRIP LIGHTS IN FRONT LIGHT TOWER RECESS
  - TURTLE TILE MATTING IN ALL COMPARTMENT SHELVES AND TRAYS
  - TURTLE TILE MATTING ON FLOORS IN COMPARTMENTS B1, R51, R53, LS3, LS4, AND ALL HATCH COMPARTMENTS
  - LIFESTAR INVERTER/BATTERY CHARGER LOCATED IN LEFT SIDE CARGO COMPARTMENT

SIDE ROLL AND FRONTAL IMPACT PROTECTION

CLEAR DOOR WIDTH KEY		CHASSIS DATA
AMOR ROLL UP DOORS:	-2 1/4"	21DEC20 DHE AZU MAKE
CORTITE ROLL UP DOORS:	-2 1/2"	06NOV20 DHE AZU PIERCE
PIERCE DOUBLE LAP DOORS:	-4 1/4"	18SEP20 DHE CDK MODEL
PIERCE LIFT-UP LAP DOORS:	-1 1/2"	REV DATE BY CH EN8424
(EX: 60" F-F - 2 1/4" = 57 3/4" CLEAR)		
(F-F) = FRAME TO FRAME		

**Pierce MANUFACTURING INC.**

JOB NO. 35170

SCALE 1:24 DATE

TITLE HEAVY DUTY RESCUE NON-WALKIN

FOR PHARR FIRE RESCUE BID #317

CHECKED BY AZU 11SEP20

DWG NO. 35170AD

SHEET SIZE D SHEET NO. 1 OF 1

MIKE COLLINS