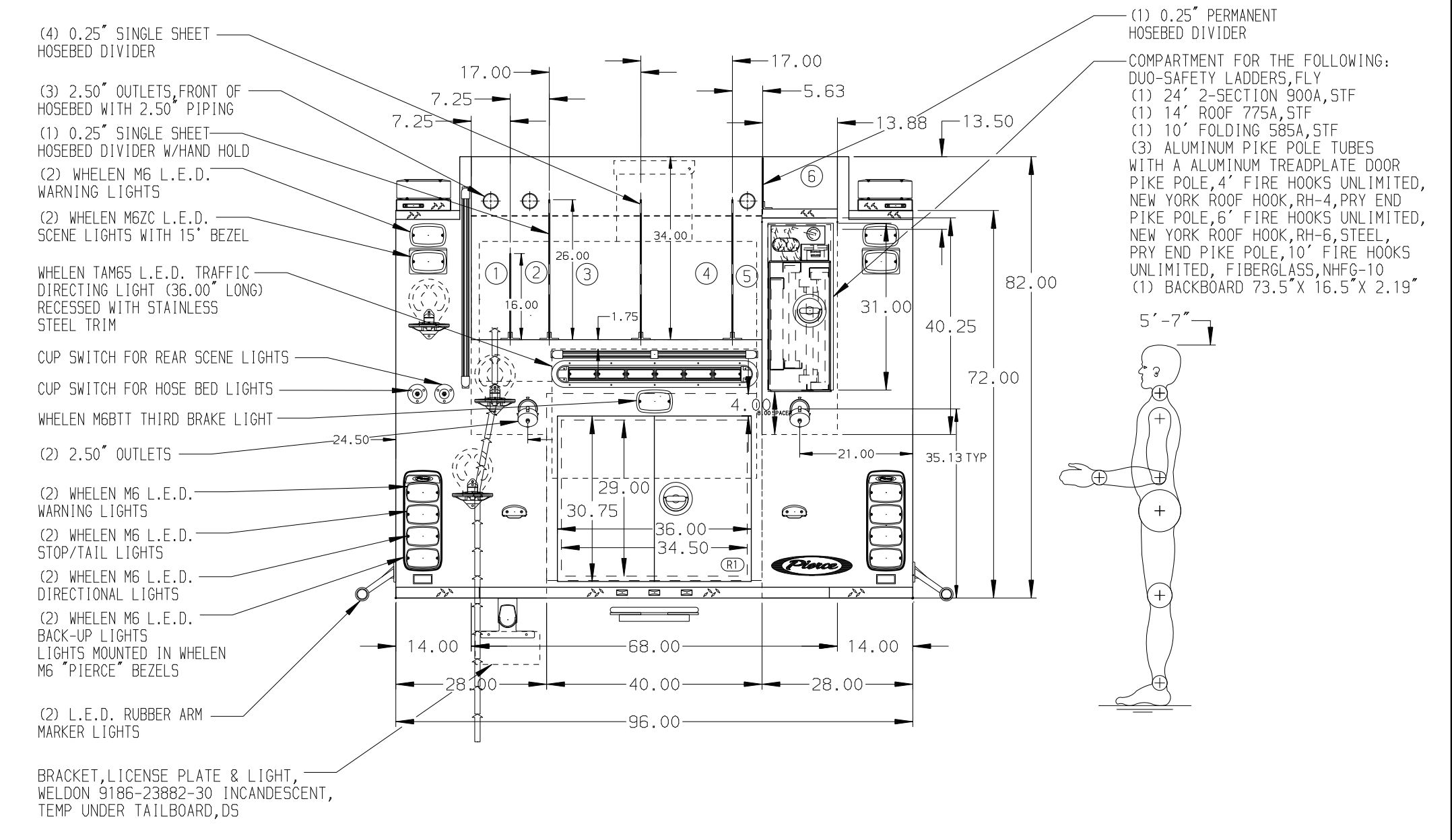
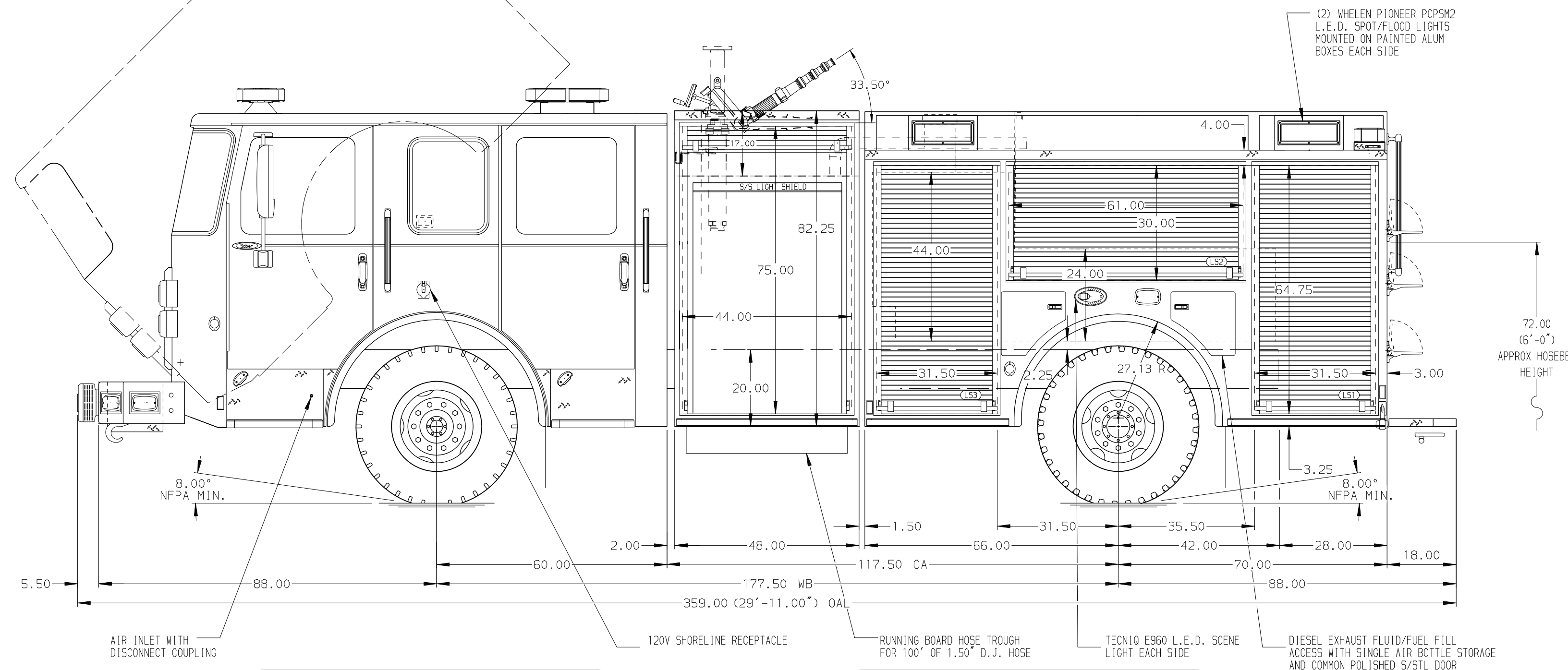


- HOSEBED CAPACITIES
- ① 250' OF 1.75" D.J. POLY HOSE
 - ② 250' OF 1.75" D.J. POLY HOSE
 - ③ 750' OF 3.00" D.J. POLY HOSE
 - ④ 750' OF 3.00" D.J. POLY HOSE
 - ⑤ 250' OF 2.50" D.J. POLY HOSE
 - ⑥ 150' OF 1.75" D.J. POLY HOSE



ALUMINUM BODY

MAXIMUM O.A.L. 359.00"

MAXIMUM O.A.H. 111.00"

NOTE
 DIMENSIONS SHOWN ARE APPROXIMATE AND ARE SUBJECT TO MINOR DEVIATIONS AS MAY OCCUR OR BE NECESSARY IN CONSTRUCTION. MINOR DETAILS NOT SHOWN.

CHASSIS DATA				TITLE	1500-D-500P, 136", FULL HEIGHT, D.S. & P.S. DELUGE, REELS, 48" SIDE CONTROL W/ENCLOSURE
MAKE				FOR	CITY OF COLORADO SPRINGS COLORADO SPRINGS, CO
15MAY20	JLA	CAG	PIERCE	DWG NO.	35168AD
24APR20	RHU	CAG	MODEL		
REV	DATE	BY	CH	SABER FR	

Pierce MANUFACTURING INC.

JOB NO. 35168

SCALE 1:24 DATE

DRAWN BY MMF 04MAR20

CHECKED BY SMA SMAR20

SHEET SIZE D SHEET NO. 1 OF 1