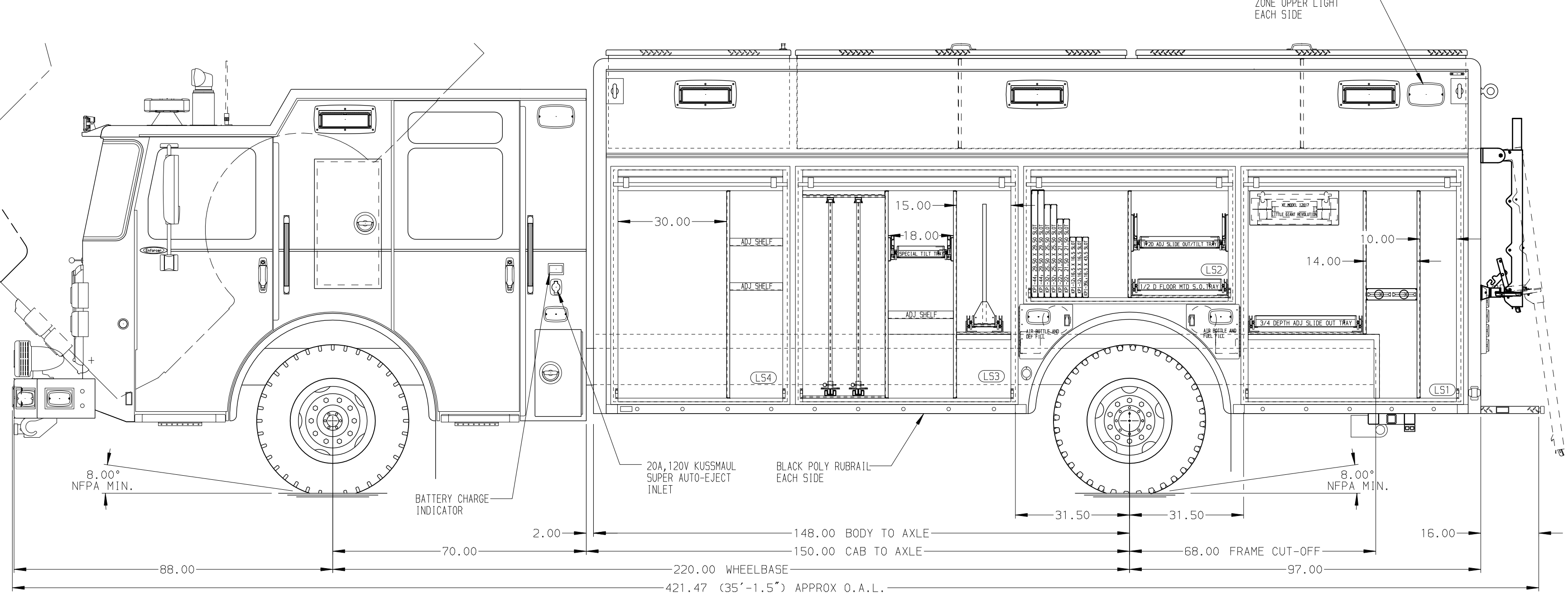
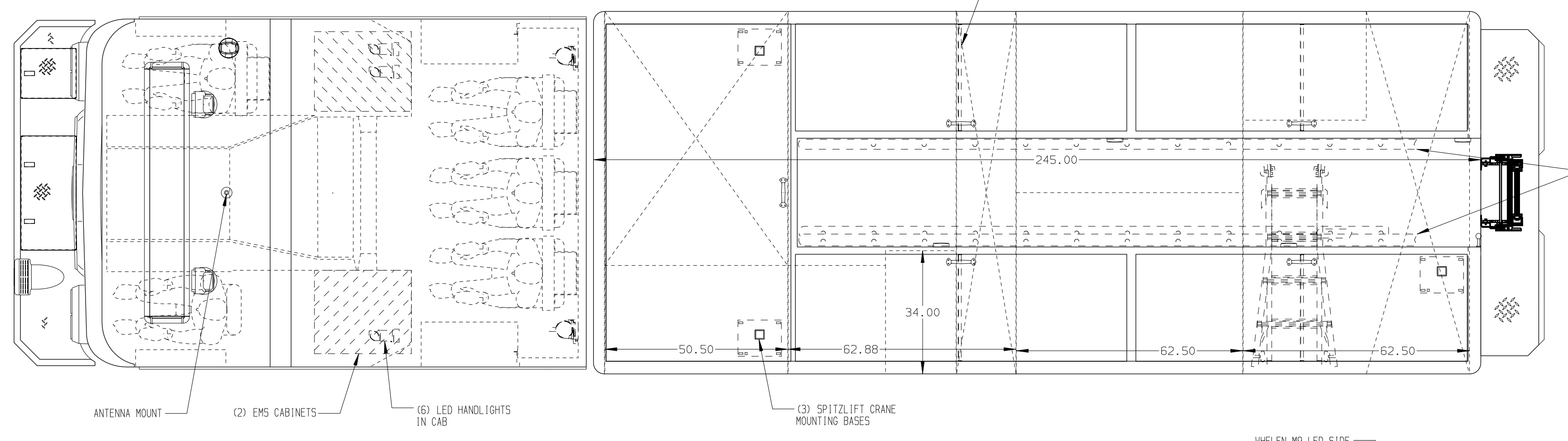
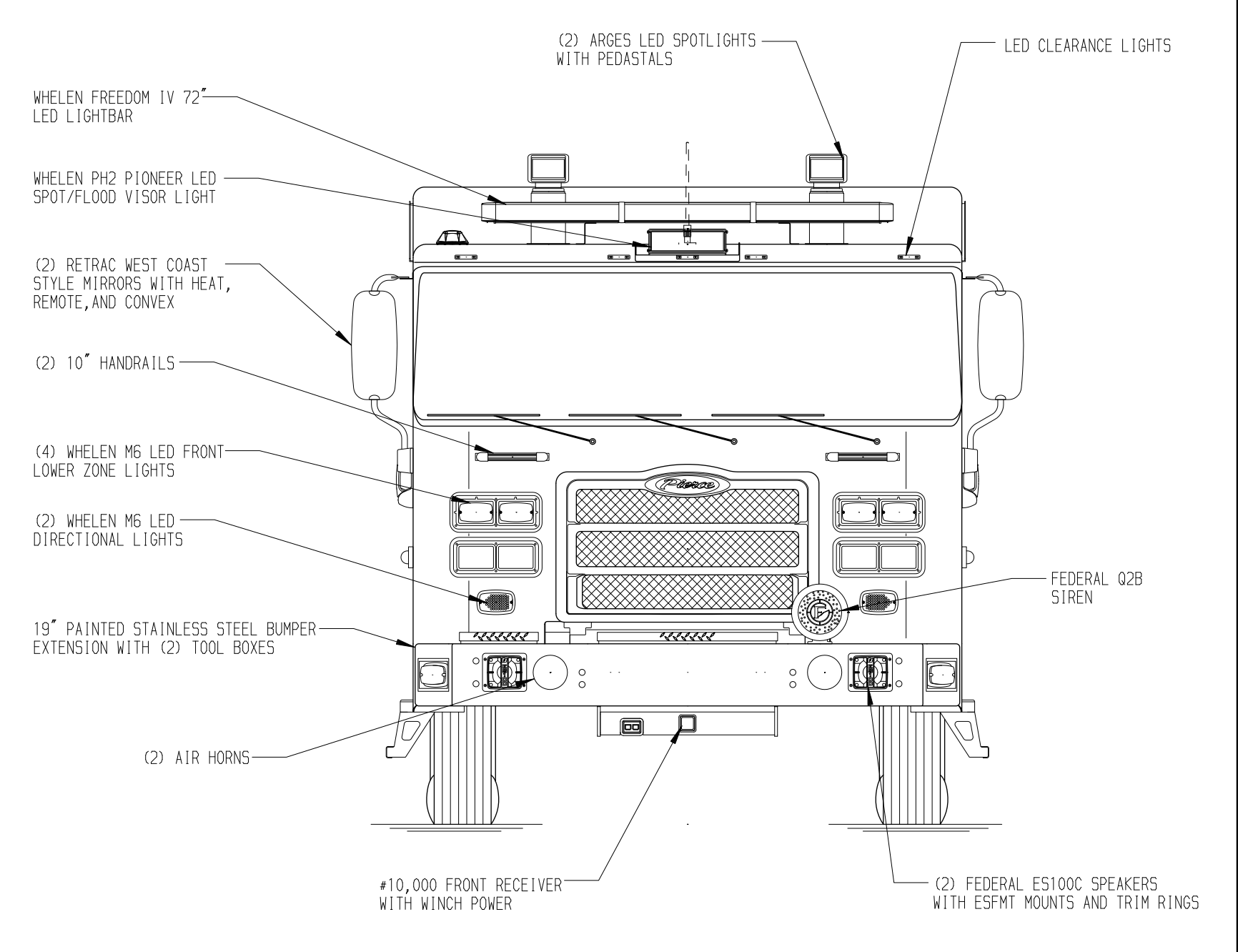
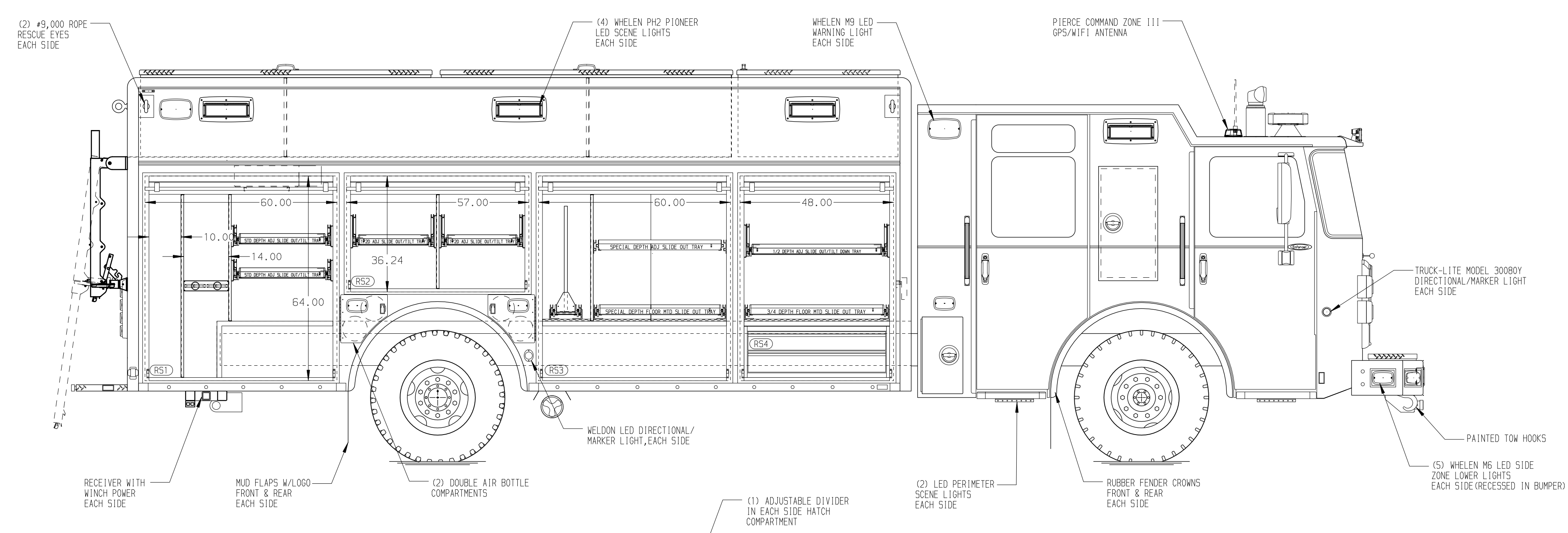
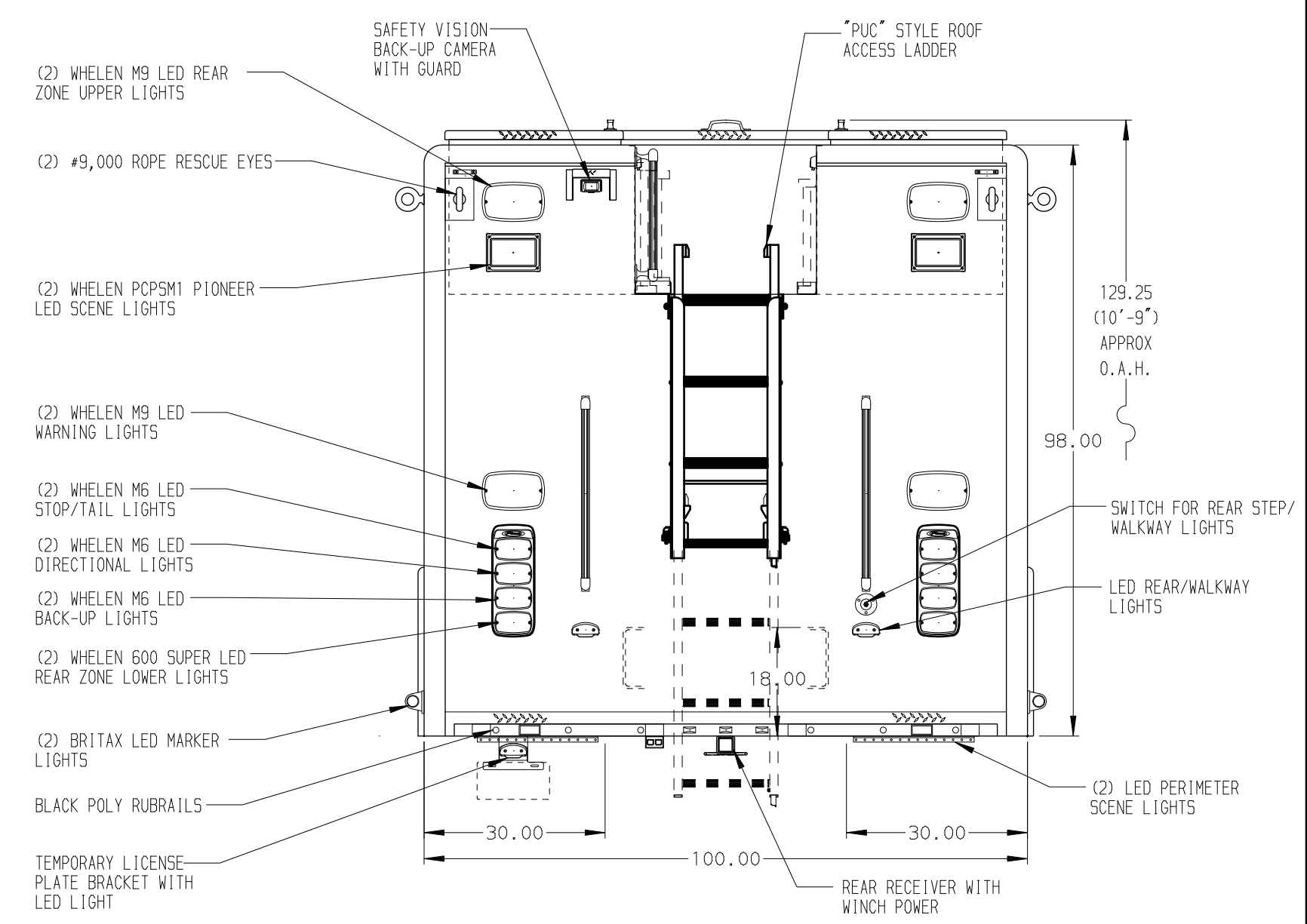


- RIGHT SIDE COMPARTMENTS CONTAIN THE FOLLOWING:**
- COMPARTMENT RS1 CONTAINS:**
- (2) TRANSVERSE VERTICAL DIVIDERS
  - (1) HORIZONTAL "L"-SHAPED FLOOR EXTENSION
  - (1) REAR WALL COMPARTMENT DIVIDER
  - (2) STD DEPTH SLIDE OUT/TILT TRAYS
  - (1) RACK FOR 2 PIKE POLES
- COMPARTMENT RS2 CONTAINS:**
- (1) VERTICAL COMPARTMENT DIVIDER
  - (1) REAR WALL COMPARTMENT DIVIDER
  - (2) 1/2 DEPTH ADJ SLIDE OUT/TILT TRAYS
- COMPARTMENT RS3 CONTAINS:**
- (1) HORIZONTAL FLOOR EXTENSION
  - (1) TRANSVERSE VERTICAL DIVIDER
  - (1) 2-WAY FLOOR MTD SLIDE OUT TOOLBOARD
  - (1) REAR WALL COMPARTMENT DIVIDER
  - (1) SPECIAL DEPTH FLOOR MOUNTED SLIDE OUT TRAY WITH NOTCH
  - (1) SPECIAL DEPTH ADJ SLIDE OUT TRAY WITH NOTCH
- COMPARTMENT RS4 CONTAINS:**
- (1) CAB LIFT CONTROLLER
  - (1) 1/2 DEPTH ADJ SLIDE OUT/TILT TRAY
  - (1) 2-DRAWER C-TECH CABINET
  - (1) HORIZONTAL FLOOR EXTENSION
  - (1) 3/4 DEPTH FLOOR MTD SLIDE OUT TRAY
  - (1) 12V RECEPTACLE



- LEFT SIDE COMPARTMENTS CONTAIN THE FOLLOWING:**
- COMPARTMENT LS1 CONTAINS:**
- (2) TRANSVERSE VERTICAL DIVIDERS
  - (1) 3/4 DEPTH FLOOR MTD SLIDE OUT TRAY
  - (1) RACK FOR LITTLE GIANT LADDER
  - (1) HORIZONTAL "L"-SHAPED FLOOR EXTENSION
  - (1) RACK FOR 2 PIKE POLES
- COMPARTMENT LS2 CONTAINS:**
- (1) REAR WALL COMPARTMENT DIVIDER
  - (1) VERTICAL COMPARTMENT DIVIDER
  - (1) RACK FOR 9 AIR BAGS
  - (1) 1/2 DEPTH FLOOR MTD SLIDE OUT TRAY
  - (1) 1/2 DEPTH ADJ SLIDE OUT/TILT TRAY
- COMPARTMENT LS3 CONTAINS:**
- (1) HORIZONTAL FLOOR EXTENSION
  - (1) VERTICAL COMPARTMENT DIVIDER
  - (1) 2-WAY FLOOR MTD SLIDE OUT TOOLBOARD
  - (1) SPECIAL DEPTH ADJ SHELF
  - (1) SPECIAL DEPTH ADJ SLIDE OUT/TILT TRAY
  - (2) STD DEPTH ADJ SLIDE OUT TOOLBOARDS
  - (1) TRANSVERSE VERTICAL DIVIDER
  - (1) REAR WALL COMPARTMENT DIVIDER
- COMPARTMENT LS4 CONTAINS:**
- (1) REAR WALL COMPARTMENT DIVIDER
  - (1) VERTICAL COMPARTMENT DIVIDER
  - (2) STD DEPTH ADJ SHELVES
  - (1) 12V RECEPTACLE



**NOTE**  
DIMENSIONS SHOWN ARE APPROXIMATE AND ARE SUBJECT TO MINOR DEVIATIONS AS MAY OCCUR OR BE NECESSARY IN CONSTRUCTION. MINOR DETAILS NOT SHOWN.

- NOTES:**
- SPITZLIFT 12V PORTABLE CRANE MOUNTED IN DRIVER'S SIDE REAR HATCH COMPARTMENT
  - AIR INLET WITH DISCONNECT COUPLING LOCATED IN THE DRIVER'S SIDE LOWER CAB STEP WELL
  - POLISHED S/S SCUFFPLATES ON CAB AND CREW CAB DOOR JAMBS
  - FLOOR IN CAB AND CREW CAB TO BE PADDED RUBBER
  - KUSSMAUL PUMP PLUS 120V CHARGER LOCATED BEHIND THE DRIVER'S SEAT
  - PIERCE LED STRIP LIGHTS IN ALL BODY AND HATCH COMPARTMENTS
  - (1) 20A, 120V 6-PLACE RECEPTACLE STRIP IN EACH BODY COMPARTMENT
  - (1) PAIR OF SAC-44-C FOLDING WHEEL CHOCKS SHIPPED LOOSE
  - (2) 15/200A, 120V 4-PLACE RECEPTACLES, (1) BEHIND DRIVER'S SEAT AND (1) BEHIND OFFICER'S SEAT
  - FIRECOM 5200D 6-POSITION INTERCOM SYSTEM
  - 5/5 GUARD/DRIP PAN ON RS4 ROLL-UP DOOR

MAXIMUM O.A.H. 11'-0"  
SIDE ROLL AND FRONTAL IMPACT PROTECTION

**CUSTOMER APPROVAL**  
APPROVED BY: \_\_\_\_\_  
DATE: \_\_\_\_\_

		JOB NO.	35164
		SCALE	DATE
TITLE	HEAVY DUTY RESCUE NON-WALKIN	DRAWN BY	DHE 08SEP20
FOR	KANSAS CITY, KANSAS	CHECKED BY	CDK 10SEP20
DWG NO.	BID #413	SHEET SIZE	SHEET NO.
	KARL SCHULTZ	D	1 OF 1

CLEAR DOOR WIDTH KEY		CHASSIS DATA
AMOR ROLL UP DOORS:	-2 1/4"	26FEB21 DHE CDK
CORTITE ROLL UP DOORS:	-2 1/2"	04JAN21 DHE CDK
PIERCE DOUBLE LAP DOORS:	-4 1/4"	16NOV20 DHE CSH
PIERCE LIFT-UP LAP DOORS:	-1 1/2"	16SEP20 DHE CDK
(EX: 60" F-F - 2 1/4" = 57 3/4" CLEAR)		REV DATE BY CH EN7010