

FUEL FILL AND DOUBLE AIR BOTTLE COMPARTMENT WITH A COMMON PAINTED DOOR EACH SIDE

(1) WELDON 9186-8580-29 L.E.D. DIRECTIONAL MARKER LIGHT EACH SIDE

DOUBLE EXTINGUISHER COMPARTMENT WITH A PAINTED DOOR

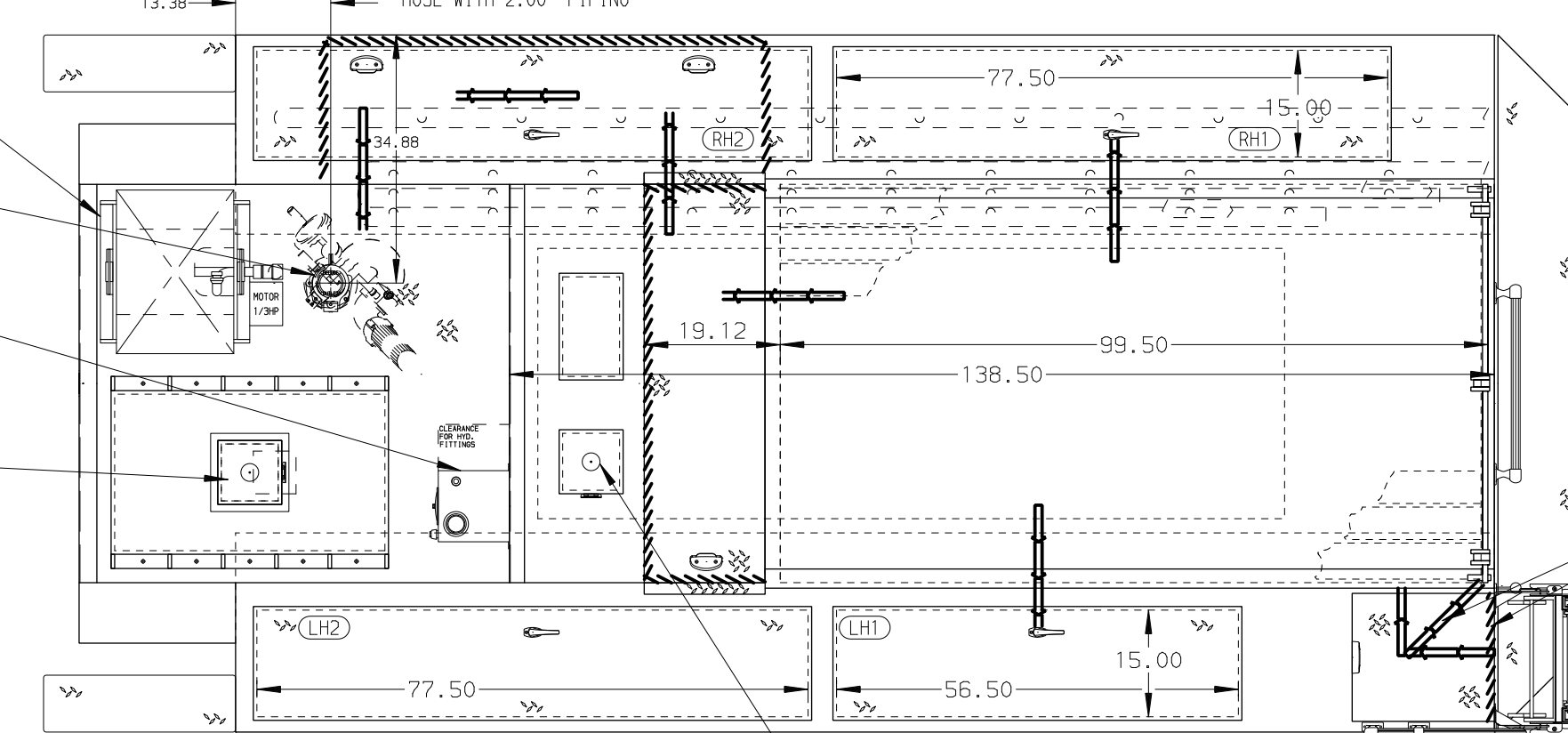
(2) CROSSLAY HOSEBEDS LOW MOUNT W/POLY TRAYS FOR 200' OF 1.75\"/>

HANNY BOOSTER HOSE REEL MODEL EF24-23-24 WITH CAPACITY FOR 100' OF 1.00\"/>

3.00\"/>

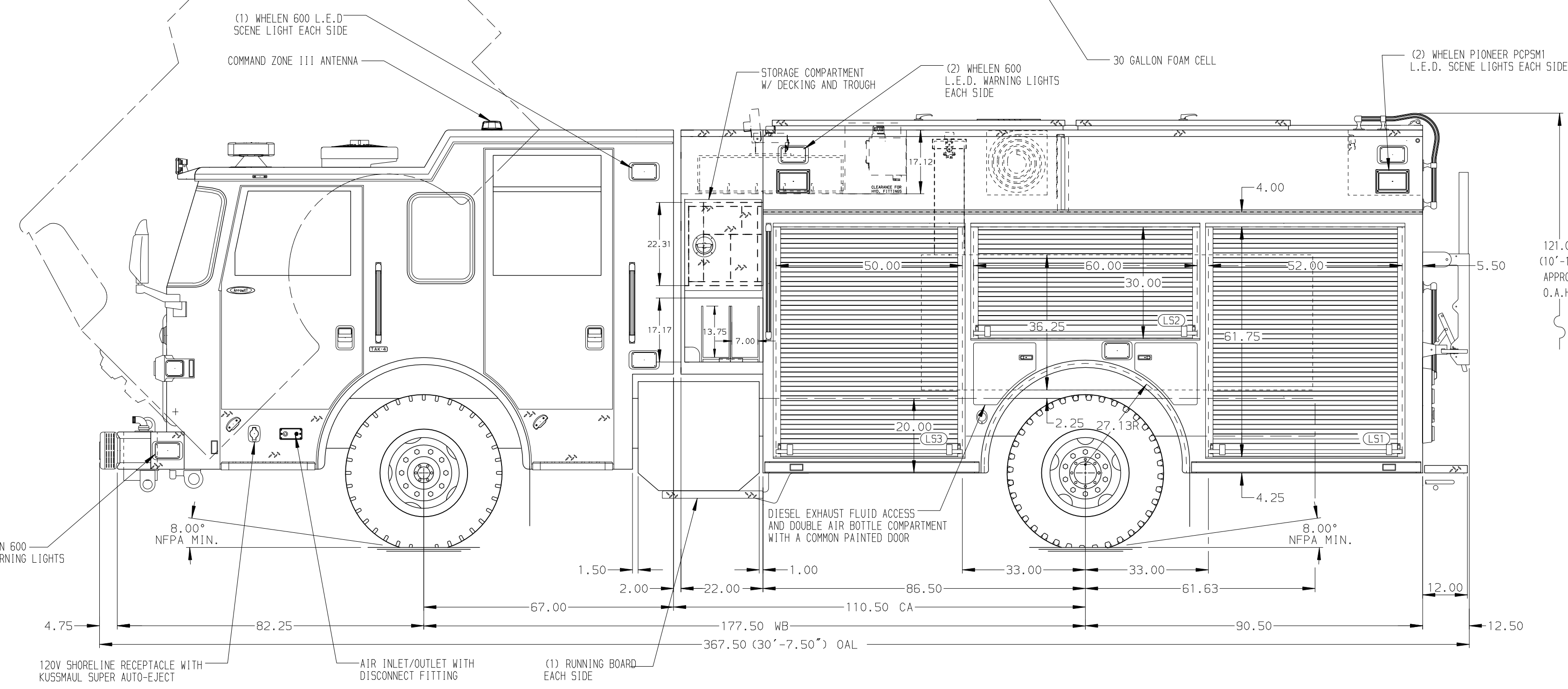
HYDRAULIC RESERVOIR FOR HUSKY 12 FOAM SYSTEM

30 GALLON POLYPROPYLENE FOAM TANK



SURFACE DESIGNATION AND PATHWAY MARKINGS

- HOSEBED CAPACITIES
- ① 800' OF 4.00\"/>
 - ② 800' OF 2.50\"/>
 - ③ 150' OF 2.50\"/>



(1) WHELEN 600 L.E.D. SCENE LIGHT EACH SIDE

COMMAND ZONE III ANTENNA

STORAGE COMPARTMENT W/ DECKING AND TROUGH

(2) WHELEN 600 L.E.D. WARNING LIGHTS EACH SIDE

30 GALLON FOAM CELL

(2) WHELEN PIONEER POPSMI L.E.D. SCENE LIGHTS EACH SIDE

(3) WHELEN 600 L.E.D. WARNING LIGHTS EACH SIDE

8.00\"/>

AIR INLET/OUTLET WITH DISCONNECT FITTING

(1) RUNNING BOARD EACH SIDE

DIESEL EXHAUST FLUID ACCESS AND DOUBLE AIR BOTTLE COMPARTMENT WITH A COMMON PAINTED DOOR

8.00\"/>

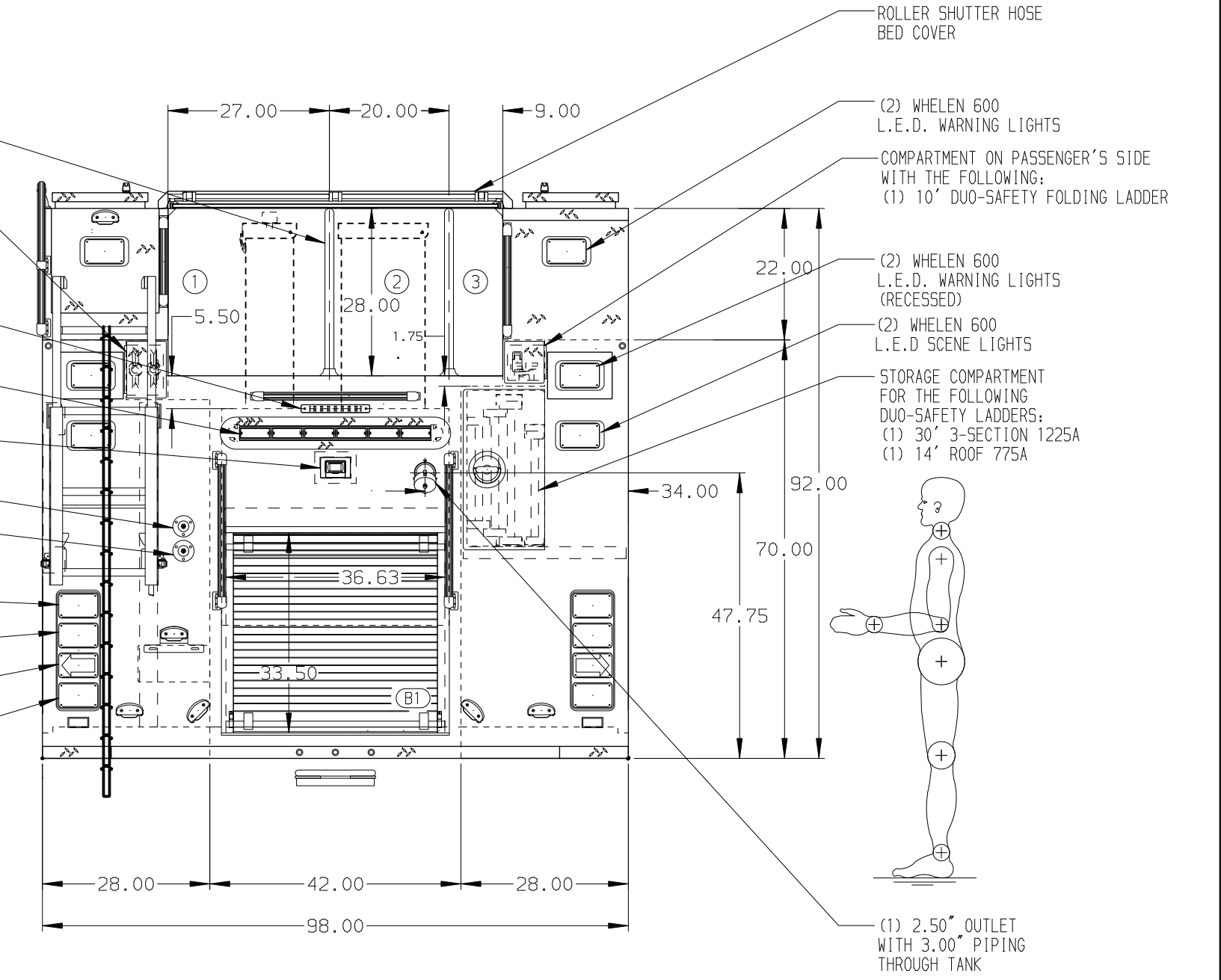
(2) HOSEBED DIVIDERS

COMPARTMENT ON DRIVER'S SIDE WITH THE FOLLOWING:
 (2) 6\"/>

(1) WHELEN PSROOXRR L.E.D. STOP LIGHT
 (1) WHELEN TAMES TRAFFIC DIRECTING LIGHT RECESSED WITH 4-WAY TRIM

PIERCE BACKUP CAMERA (RECESSED)
 CUPSWITCH FOR REAR SCENE LIGHTS
 CUPSWITCH FOR HOSEBED LIGHTING

(2) WHELEN 600 SERIES WARNING LIGHTS
 (2) WHELEN 600 SERIES STOP/TAIL LIGHTS
 (2) WHELEN 600 SERIES DIRECTIONAL LIGHTS
 (2) WHELEN 600 SERIES BACK-UP LIGHTS LIGHTS MOUNTED IN CAST 4 BEZEL



ROLLER SHUTTER HOSE BED COVER

(2) WHELEN 600 L.E.D. WARNING LIGHTS

COMPARTMENT ON PASSENGER'S SIDE WITH THE FOLLOWING:
 (1) 10\"/>

(2) WHELEN 600 L.E.D. WARNING LIGHTS (RECESSED)
 (2) WHELEN 600 L.E.D. SCENE LIGHTS

STORAGE COMPARTMENT FOR THE FOLLOWING LADDERS:
 (1) 30\"/>

(1) 2.50\"/>

ALUMINUM BODY

SIDE ROLL AND FRONTAL IMPACT PROTECTION

NOTE
 DIMENSIONS SHOWN ARE APPROXIMATE AND ARE SUBJECT TO MINOR DEVIATIONS AS MAY OCCUR OR BE NECESSARY IN CONSTRUCTION. MINOR DETAILS NOT SHOWN.

1. WHEEL CHOCKS AND BRACKETS (CTF)
2. BATTERY CHARGER LOCATED BEHIND THE DRIVER'S SEAT
3. BATTERY CHARGER INDICATOR LOCATED NEAR D.S. SEAT RISER WITH BRACKET
4. ADJUSTABLE FULL WIDTH/FULL DEPTH SHELVES FOUR IN RS3 TWO IN LS1, LS2, RS1, AND LS3, AND ONE IN B1
5. ONE ADJUSTABLE SLIDE-OUT TRAY IN RS1
6. ONE FLOOR MOUNTED SLIDE-OUT TRAY IN LS2 AND RS1
7. ONE SLIDE-OUT ALUMINUM TOOL BOARD IN LS1
8. SEALED TRANSVERSE PARTITION IN COMPARTMENT-LS1/RS1
9. ONE PARTITION INSERTED IN RS1
10. ONE STORAGE BIN BOLTED TO THE SLIDE-OUT TRAY IN RS1

11. ONE VERTICAL PARTITION IN LS1, LS2, AND RS3
12. ALUMINUM TREADPLATE ON THE CAB ROOF

REV	DATE	BY	CH	ARROW	XT
03AUG20	LST	WKL			
21JUL20	LST	PJP			
19JUN20	LST	WKL			
18JUN20	LST	LPA			

		JOB NO.	35154
		SCALE	1:24
TITLE 1500-D-500P W/ 30 GAL FOAM CELL AND 30 GAL FOAM TANK 177\"/>	FOR CHINO VALLEY IND. FPD CHINO HILLS, CALIFORNIA	DRAWN BY	LST
		CHECKED BY	WKL
DWG NO. 35154AD	SHEET NO. 1 OF 1	SHEET SIZE	D
		DATE	21APR20