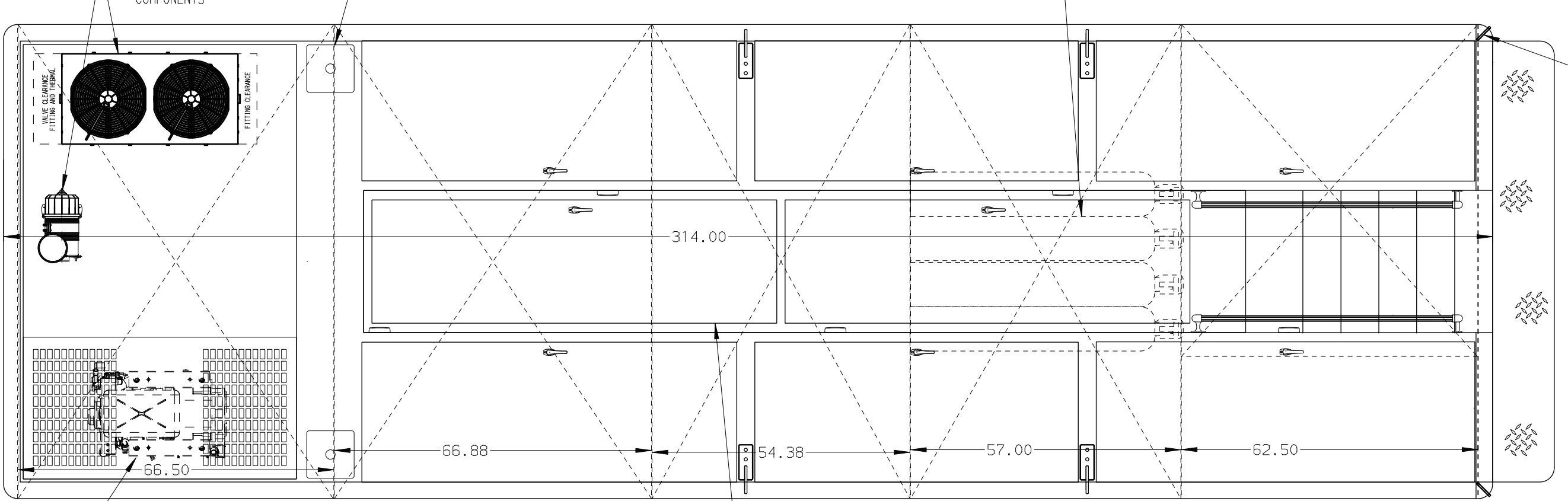
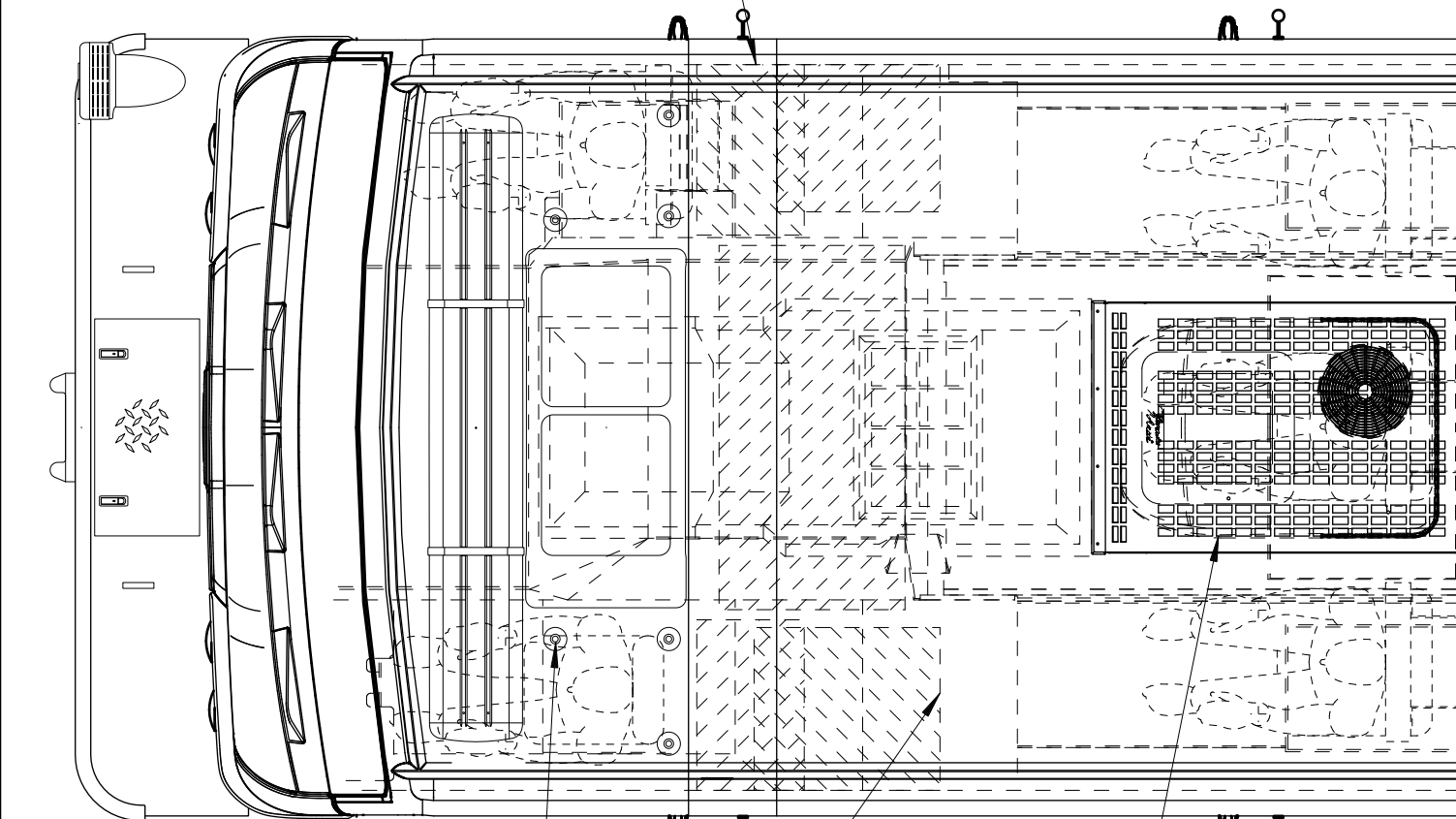
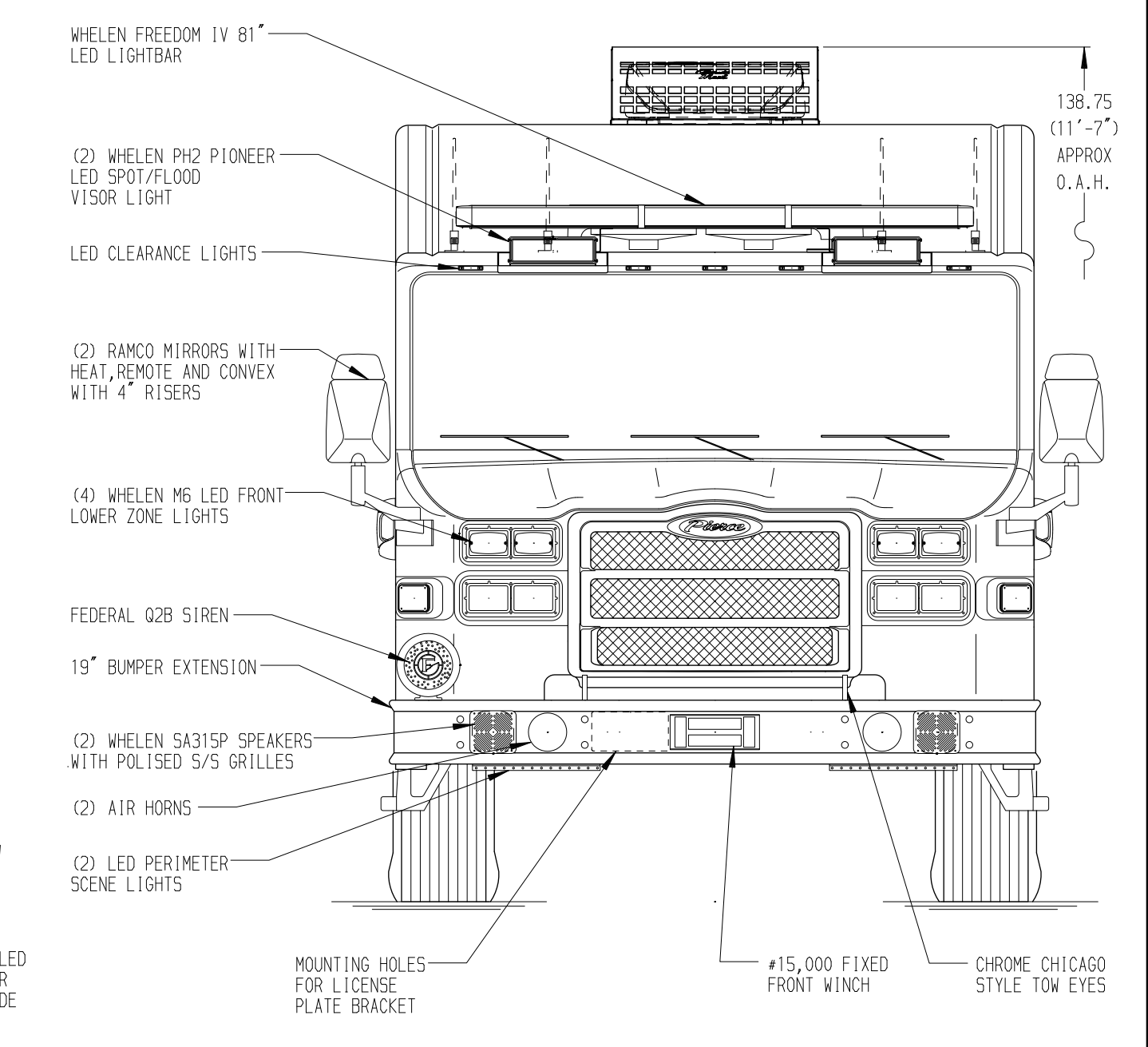
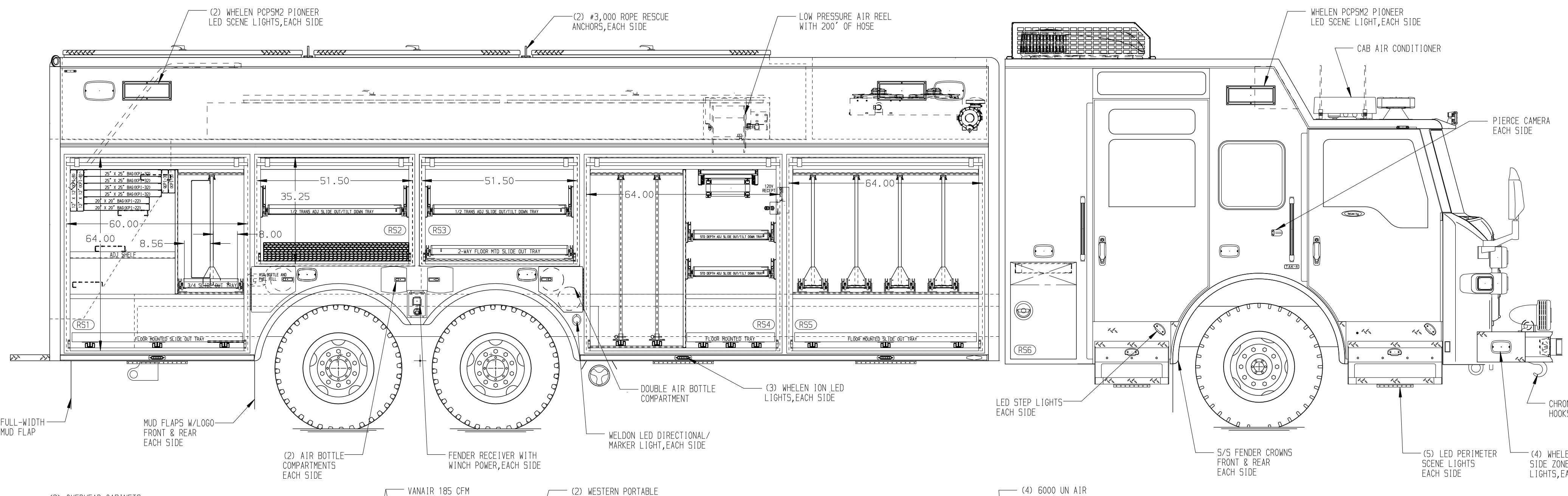


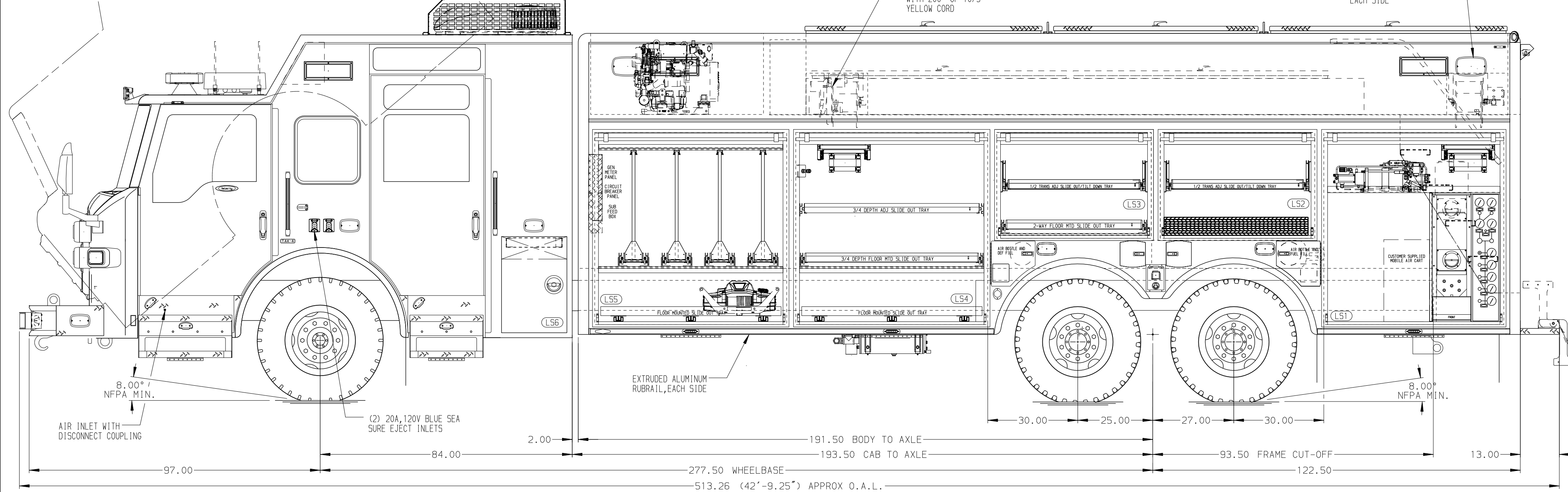
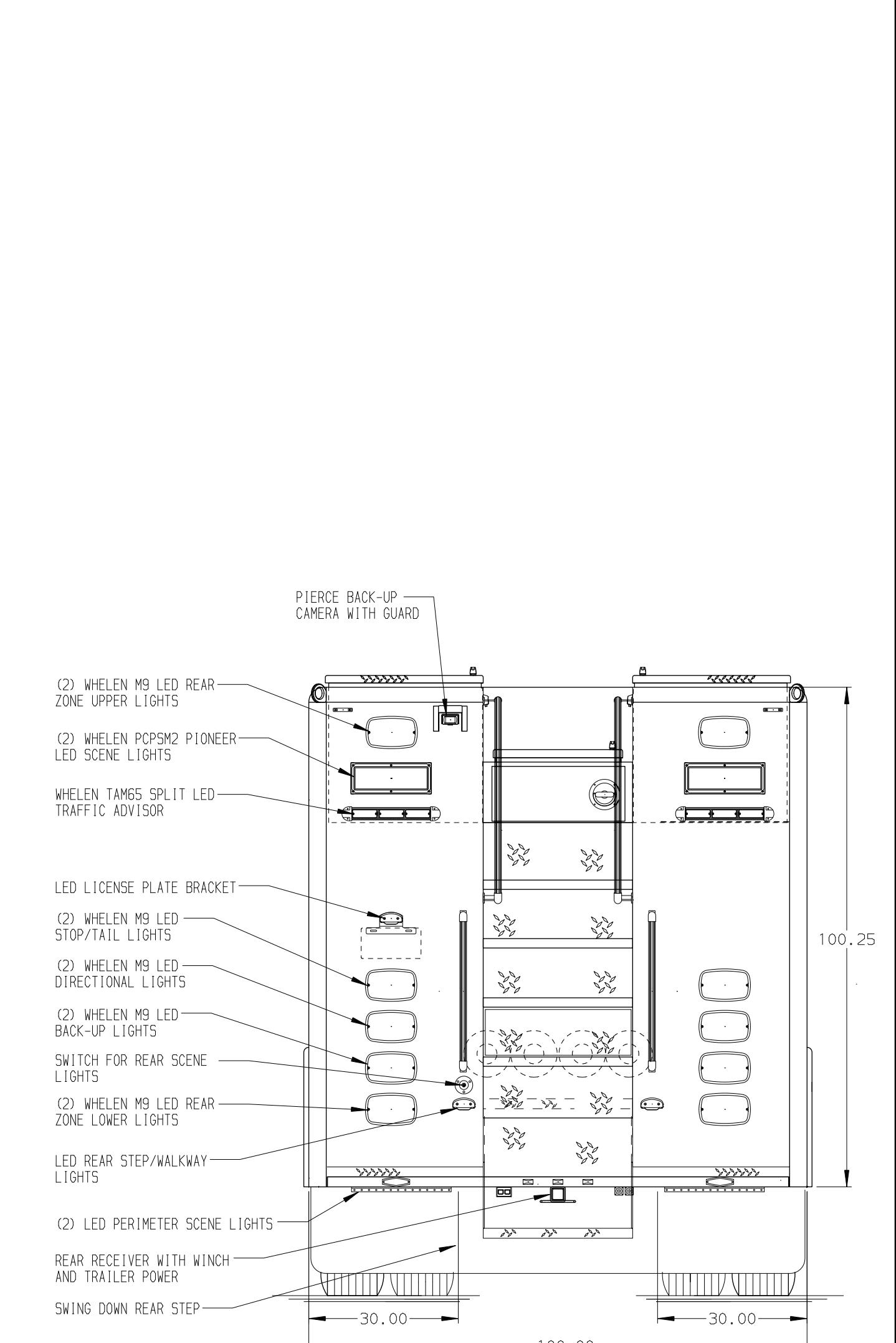
**RIGHT SIDE COMPARTMENTS CONTAIN THE FOLLOWING:**

- COMPARTMENT RS1 CONTAINS:
  - (1) HORIZONTAL FLOOR EXTENSION
  - (1) STD DEPTH ADJ SHELF
  - (1) STD DEPTH FLOOR MOUNTED TRAY
  - (1) VERTICAL COMPARTMENT DIVIDER
  - (1) 3/4 DEPTH FLOOR MTD TRAY WITH TOOLBOARD
  - (1) RACK FOR 10 AIR BAGS
  - (1) AIR BAG RACK ON TOOLBOARD
- COMPARTMENT RS2 CONTAINS:
  - (1) RACK FOR 8 SHEETS OF PLYWOOD
  - (1) 1/2 DEPTH ADJ SLIDE OUT/TILT TRAY
- COMPARTMENT RS3 CONTAINS:
  - (1) 1/2 DEPTH ADJ SLIDE OUT/TILT TRAY
  - (1) 2-WAY FLOOR MOUNTED SLIDE OUT TRAY
- COMPARTMENT RS4 CONTAINS:
  - (1) HORIZONTAL FLOOR EXTENSION
  - (2) STD DEPTH ADJ SLIDE OUT/TILT TRAYS
  - (1) STD DEPTH FLOOR MOUNTED TRAY
  - (2) STD DEPTH SLIDE OUT TOOLBOARDS
  - (1) VERTICAL COMPARTMENT DIVIDER
  - (1) LOW PRESSURE AIR REEL W/200' OF HOSE
  - (1) 20A, 120V DUPLX RECEPTACLE
  - (1) VANAIR SYSTEM CONTROL PANEL
  - (1) TOOL AIR OUTLET
- COMPARTMENT RS5 CONTAINS:
  - (1) HORIZONTAL FLOOR EXTENSION
  - (1) STD DEPTH FLOOR MOUNTED TRAY
  - (4) 2-WAY ADJ SLIDE OUT TOOLBOARDS
- COMPARTMENT RS6 CONTAINS:
  - (1) RACK FOR BACKBOARD



**LEFT SIDE COMPARTMENTS CONTAIN THE FOLLOWING:**

- COMPARTMENT LS1 CONTAINS:
  - (1) STD DEPTH ADJ SHELF
  - (1) VERTICAL COMPARTMENT DIVIDER
  - (1) CASCADE SYSTEM CONTROL PANEL
  - (1) "SPACE SAVER" 2-BOTTLE FILL ENCLOSURE
  - (1) HIGH PRESSURE AIR REEL W/300' OF HOSE
  - (1) SLIDE OUT ROLLER GUIDE
  - (1) BREATHING AIR BOOSTER PUMP
  - (1) REAR WALL COMPARTMENT DIVIDER
  - (1) COMMAND ZONE POWER DISTRIBUTION BOX
- COMPARTMENT LS2 CONTAINS:
  - (1) 1/2 DEPTH ADJ SLIDE OUT/TILT TRAY
  - (1) 2-WAY FLOOR MOUNTED SLIDE OUT TRAY
- COMPARTMENT LS3 CONTAINS:
  - (1) 1/2 DEPTH ADJ SLIDE OUT/TILT TRAY
  - (1) 2-WAY FLOOR MOUNTED SLIDE OUT TRAY
- COMPARTMENT LS4 CONTAINS:
  - (1) HORIZONTAL FLOOR EXTENSION
  - (1) 3/4 DEPTH ADJ SLIDE OUT TRAY
  - (1) 3/4 DEPTH FLOOR MTD SLIDE OUT TRAY
  - (1) ELECTRIC CORD REEL WITH 200' OF 10/3 YELLOW CORD
  - (1) SLIDE OUT ROLLER GUIDE
  - (1) TOOL AIR OUTLET
  - (1) STD DEPTH FLOOR MOUNTED TRAY
- COMPARTMENT LS5 CONTAINS:
  - (1) HORIZONTAL FLOOR EXTENSION
  - (1) STD DEPTH FLOOR MOUNTED TRAY
  - (1) 2-WAY ADJ SLIDE OUT TOOLBOARDS
  - (1) BRACKET FOR PORTABLE WINCH STORAGE
  - (1) CIRCUIT BREAKER PANEL
  - (1) GENERATOR METER PANEL
  - (1) SUB FEED BOX
- COMPARTMENT LS6 CONTAINS:
  - (1) RACK FOR BACKBOARD



**NOTE**  
DIMENSIONS SHOWN ARE APPROXIMATE AND ARE SUBJECT TO MINOR DEVIATIONS AS MAY OCCUR OR BE NECESSARY IN CONSTRUCTION. MINOR DETAILS NOT SHOWN.

**NOTES:**  
1. BRUSHED S/S SCUFFPLATES ON CAB AND CREW CAB DOOR JAMBS  
2. FLOOR IN CAB AND CREW CAB TO BE PADDED RUBBER  
3. FIRECOM 5-POSITION INTERCOM SYSTEM  
4. WESTERN MULE P10 REMOVABLE CRANE  
5. (2) #9,000 RECEIVER STYLE ROPE RESCUE EYES  
6. PULL STRAPS ON ALL BODY ROLL-UP DOORS  
7. PIERCE DUAL LED LIGHTS IN ALL BODY AND HATCH COMPARTMENTS  
8. S/S GUARDS ON ALL BODY ROLL-UP DOORS  
9. TURTLE TILE MATTING ON ALL SHELVES AND TRAYS  
10. TURTLE TILE MATTING ON FLOOR OF L51

**CLEAR DOOR WIDTH KEY**  
AMOR ROLL UP DOORS: -2 1/4"  
CORTITE ROLL UP DOORS: -2 1/2"  
PIERCE DOUBLE LIP DOORS: -4 1/4"  
PIERCE LIFT-UP LAP DOORS: -1 1/2"  
(EX: 60" F-F - 2 1/4" = 57 3/4" CLEAR)  
(F-F) = FRAME TO FRAME

**MAXIMUM O.A.H. 11'-10"**

**SIDE ROLL AND FRONTAL IMPACT PROTECTION**

REV	DATE	BY	CH	MAKE	MODEL
02NOV20	DHE	AZU		PIERCE	VFYFR8420
16SEP20	DHE	CDK			
21JUL20	DHE	CDK			

<b>Pierce MANUFACTURING INC.</b> TITLE: HEAVY DUTY RESCUE NON-WALKIN FOR: MAGNOLIA FIRE DEPARTMENT		JOB NO.	35140
		SCALE	DATE
DRAWN BY	DHE	CHECKED BY	CDK
DWG NO.	35140AD	SHEET NO.	1 OF 1
		BLAKE EBBEN	