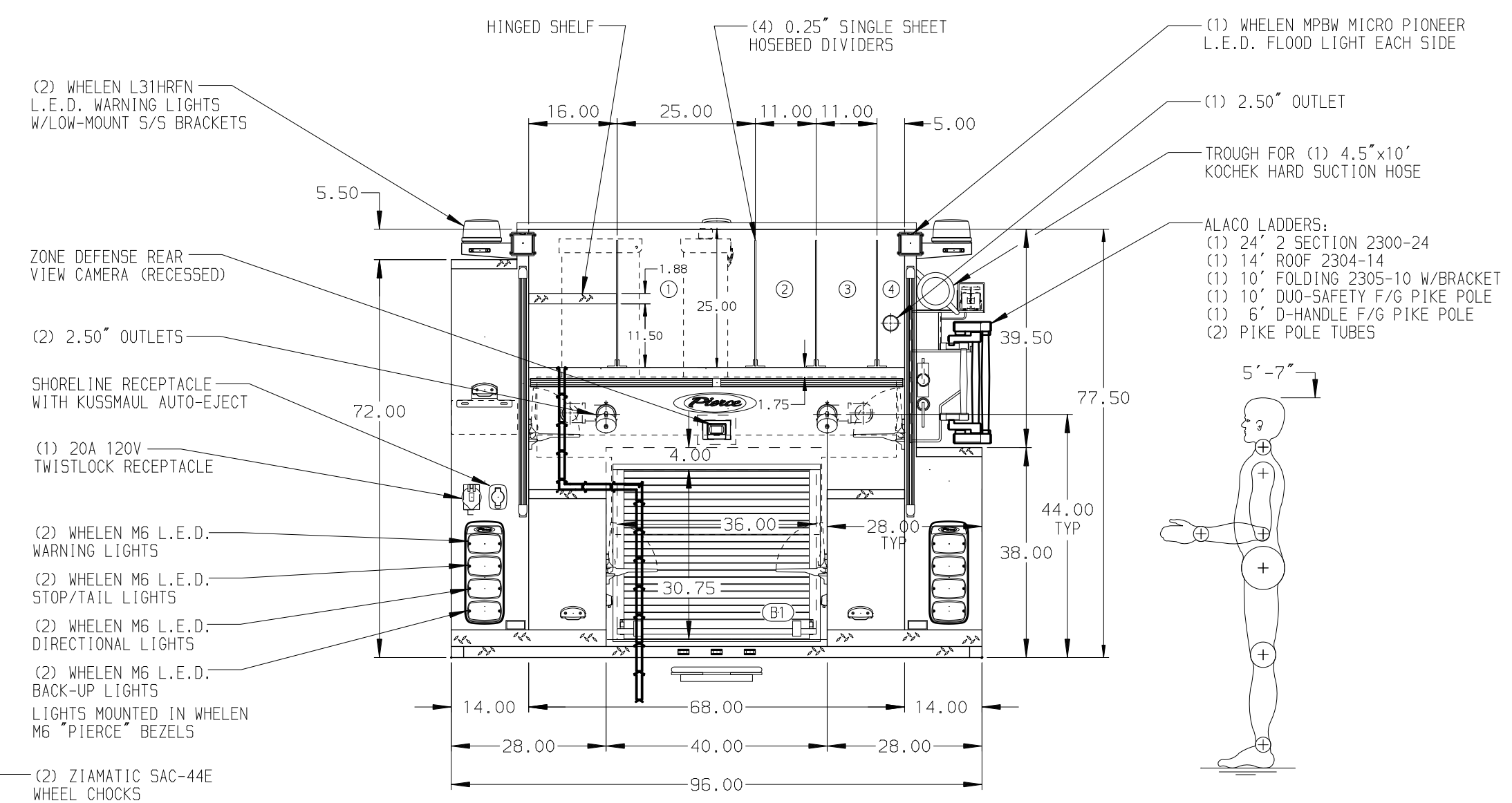
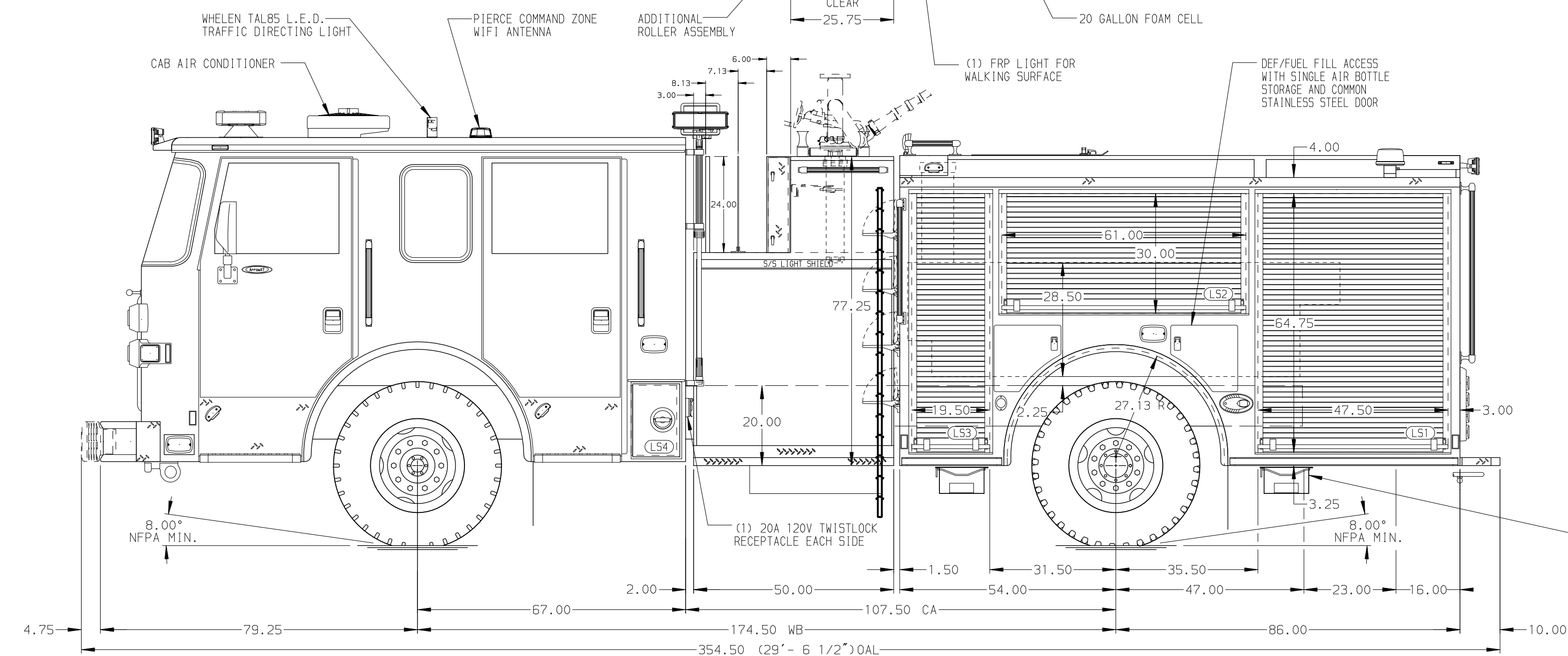


- HOSEBED CAPACITIES**
- ① 800' OF 5.00" D.J. SYNTHETIC ANGUS HOSE
  - ② 500' OF 2.50" D.J. POLY HOSE
  - ③ 500' OF 2.50" D.J. POLY HOSE
  - ④ 200' OF 1.75" HI-COMBAT HOSE



GALVANNEAL

MAXIMUM O.A.L. 354.50"

MAXIMUM O.A.H. 113.00"

**NOTE**  
 DIMENSIONS SHOWN ARE APPROXIMATE AND ARE SUBJECT TO MINOR DEVIATIONS AS MAY OCCUR OR BE NECESSARY IN CONSTRUCTION. MINOR DETAILS NOT SHOWN.

1. AIR INLET WITH DISCONNECT COUPLING LOCATED ON LEFT SIDE PUMP PANEL
2. PULL STRAP ON DOOR IN COMPARTMENT LS2
3. DRIP PAN GUARD FOR ROLL-UP DOOR IN COMPARTMENTS LS1, LS2, LS3, RS1, RS2 AND B1
4. ONE ADJUSTABLE PULL WIDTH/DEPTH SHELF IN COMPARTMENTS LS1, LS3, RS1, RS2 AND B1
5. ONE FLOOR MOUNTED SLIDE-OUT TRAY IN COMPARTMENT LS1
6. SWING-OUT TOOL BOARD WITH PEGBOARD PATTERN IN COMPARTMENT LS2
7. PARTITION BETWEEN COMPARTMENTS LS1/B1 AND RS1/B1
8. ONE VERTICAL PARTITION IN COMPARTMENT LS1
9. 3/4" MARINE GRADE PLYWOOD ON BACK WALL OF COMPARTMENT LS2

10. ONE HANNAY ALUMINUM BOOSTER REEL MODEL SBEF20-30-31 WITH 1.50" PIPING AND CAPACITY FOR 150' OF 1.00" BOOSTER HOSE LOCATED IN CARGO AREA. REEL HAS CHROME PLATED SPROCKET AND POLISHED STAINLESS STEEL DISCS

03MAR21	JJB	BSE	CHASSIS DATA
22DEC20	JRO	BSE	MAKE
26OCT20	JRO	BSE	PIERCE
23SEP20	LME	JBL	MODEL
23JUL20	KLE	JBL	ARROW XT
REV	DATE	BY	CH

		JOB NO.	35129
		SCALE	DATE
TITLE 1500-500 WATER/20 FOAM, 140" BODY, SIDE CONTROL CROSSLAYS, DELUGE, BOOSTER REEL, ALACO LADDERS		DRAWN BY	JRO
FOR ALAMEDA COUNTY NEWARK, CALIFORNIA		CHECKED BY	JBL
DWG NO. 35129AD		SHEET SIZE	SHEET NO.
		D	1 OF 1