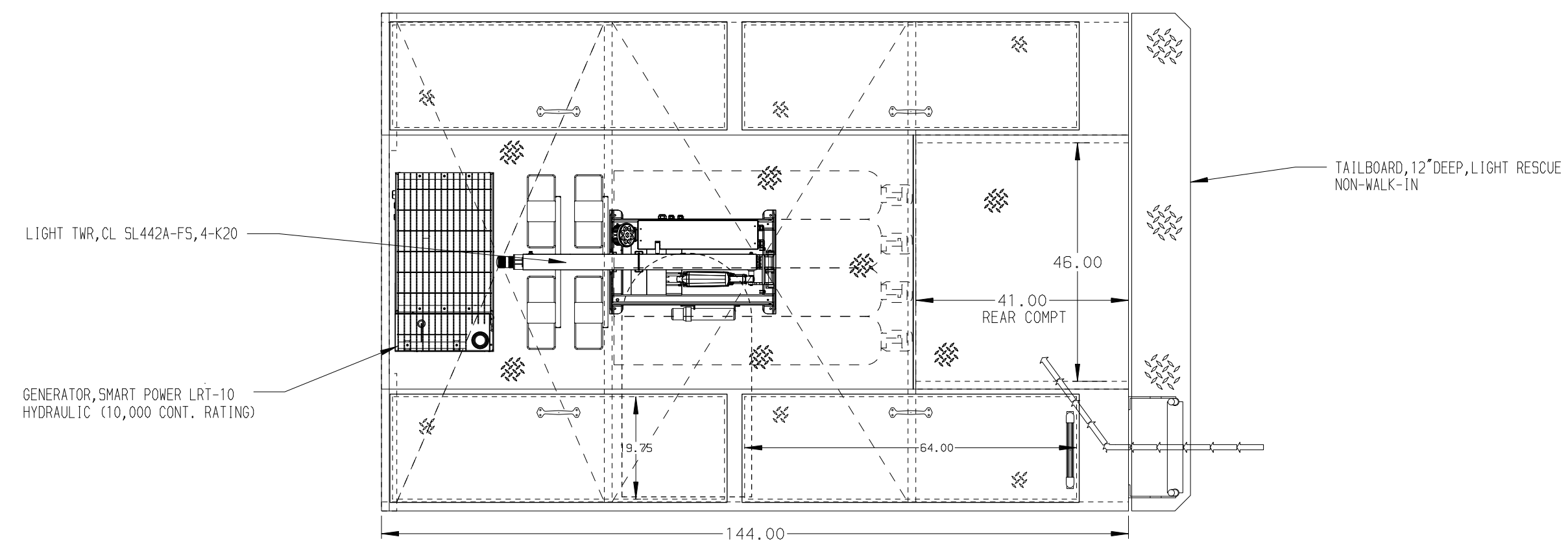
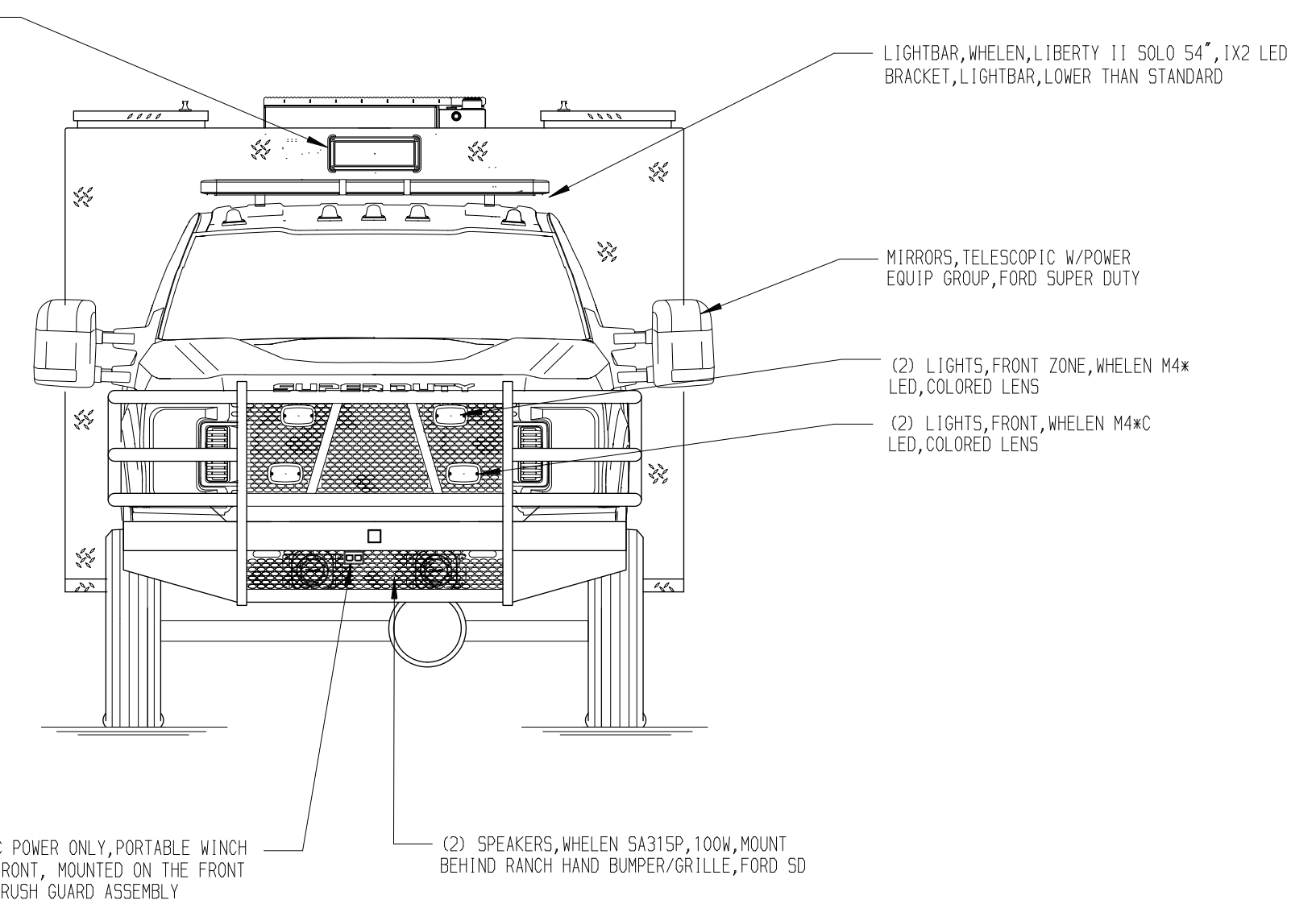
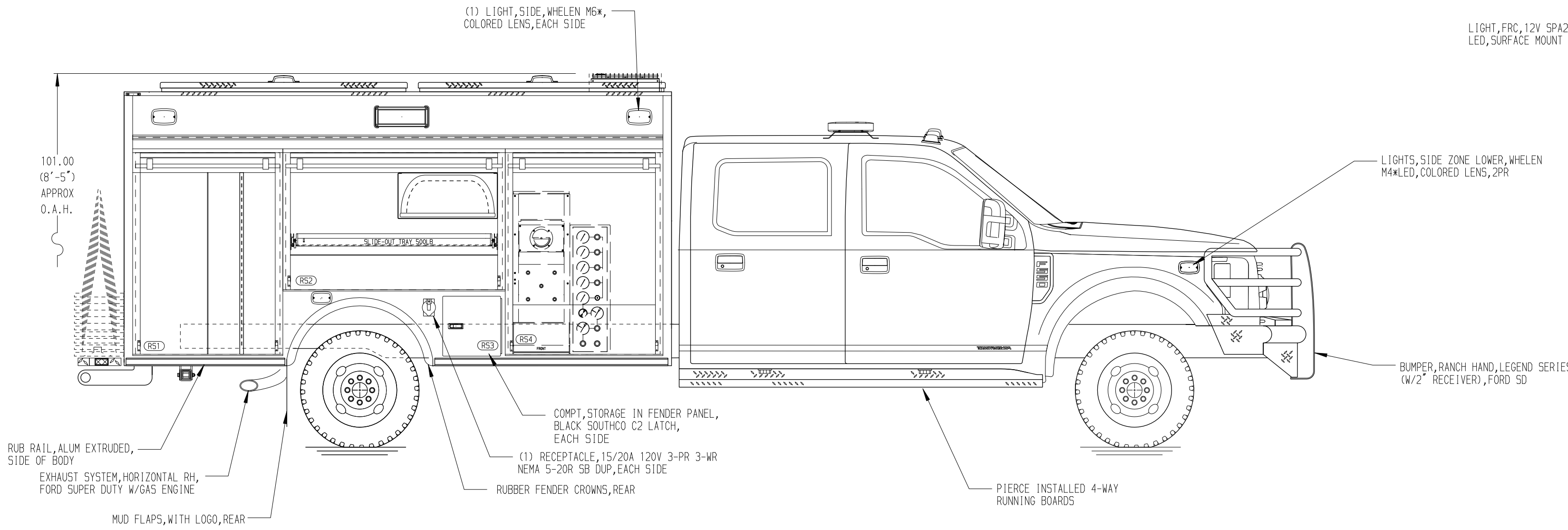


RIGHT SIDE COMPARTMENTS CONTAIN THE FOLLOWING:

COMPARTMENT RS1 CONTAINS:
 - (1) DIVIDER, VERTICAL
 - (2) AIR BOTTLE HOLDER WITH TRACKS
 - (1) TOOLBOARD, ALUM ADJ, STANDARD

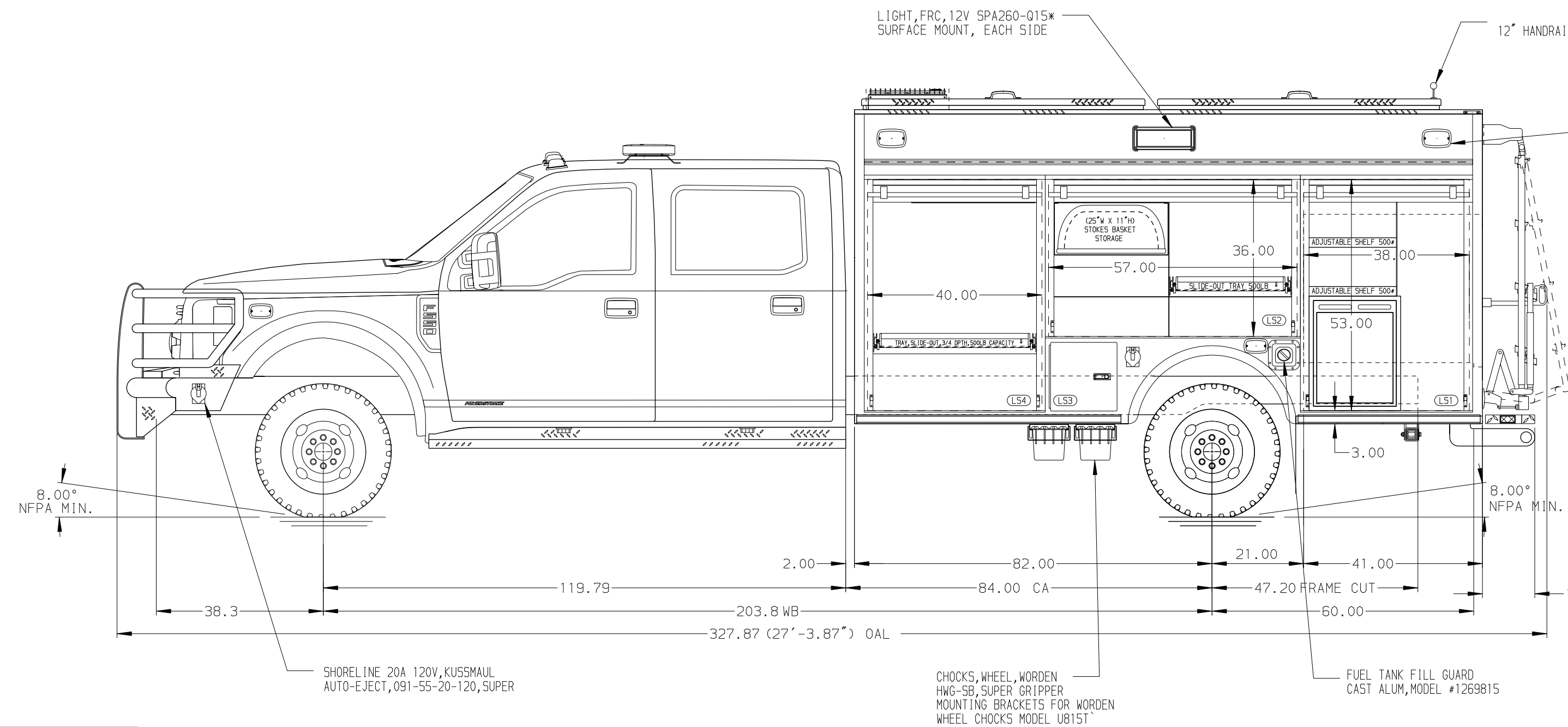
COMPARTMENT RS2 CONTAINS:
 - (1) TRAY, SLIDE OUT, 1/2, TRANSVERSE COMPT, ADJUSTABLE HEIGHT, 500 LB CAPACITY

COMPARTMENT RS4 CONTAINS:
 RIGHT FORWARD COMPT, OVERSIZE, 12" BODY, ROLL UP DOOR
 REINFORCE & CUT OUT IN FLOOR, SPACE SAVER FILL ENCLOSURE, CUSTOMER/DEALER INSTALLED
 PROVISIONS FOR "BLOW OUT" PANEL FOR FILL STATION



REAR COMPARTMENT R1 CONTAINS THE FOLLOWING:

COMPARTMENT R1 CONTAINS:
 REEL, ELECT CABLE, HANNAY, ELFOR 1600 LOW PROFILE CORD, ELECTRIC, 10/3 BLACK, 3 WIRE, FOR 200' OF 1"
 BREATHING AIR CASCADE SYS. CUSTOMER/DEALER INSTALLED, STORAGE CYL.
 - (2) TRAY, SLIDE OUT, FULL DEPTH, 81" COMPT ONLY, 500 LB CAP., PWF



LEFT SIDE COMPARTMENTS CONTAIN THE FOLLOWING:


COMPARTMENT LS1 CONTAINS:
 - (1) DIVIDER, VERTICAL
 - (2) SHELF, ADJUSTABLE, 500 LB CAP., STD DEPTH COMPT
 - (2) AIR BOTTLE HOLDER WITH TRACKS
 - REFRIGERATOR, DOMETIC CRX-1080-S SPACE SAVER, 2.6CF, AC/DC

COMPARTMENT LS2 CONTAINS:
 - (1) RACK, STOKES BASKET STORAGE CMC SPLIT STRETCHER STORED SPLIT AND STACKED TOGETHER (25" W X 11" H X 47" L)

COMPARTMENT LS4 CONTAINS:
 - (1) TRAY, SLIDE-OUT, 3/4 TRANSVERSE COMPT, ADJUSTABLE HEIGHT, 500 LB CAPACITY

ALUMINUM BODY

NOTE
 DIMENSIONS SHOWN ARE APPROXIMATE AND ARE SUBJECT TO MINOR DEVIATIONS AS MAY OCCUR OR BE NECESSARY IN CONSTRUCTION. MINOR DETAILS NOT SHOWN.

 PIERCE MANUFACTURING INC. BRADENTON, FLORIDA		JOB NO.	35122
		DATE	08OCT20
TITLE	12' RESCUE, NON-WALK-IN	SCALE	1:24
FOR	McFARLAND FIRE & RESCUE McFARLAND, WISCONSIN	DRAWN BY	JLA
REV.	DATE	BY	CHK'D BY
02MAR21	JLA	AJA	
01MAR21	JLA	AJA	
18JAN21	JLA	AJA	
13JAN21	JLA	AJA	
27OCT20	JLA	RWI	
		CHK'D	
DRWG. NO.		35122AD	
SHEET NO.		1 OF 1	
SHEET SIZE		D	