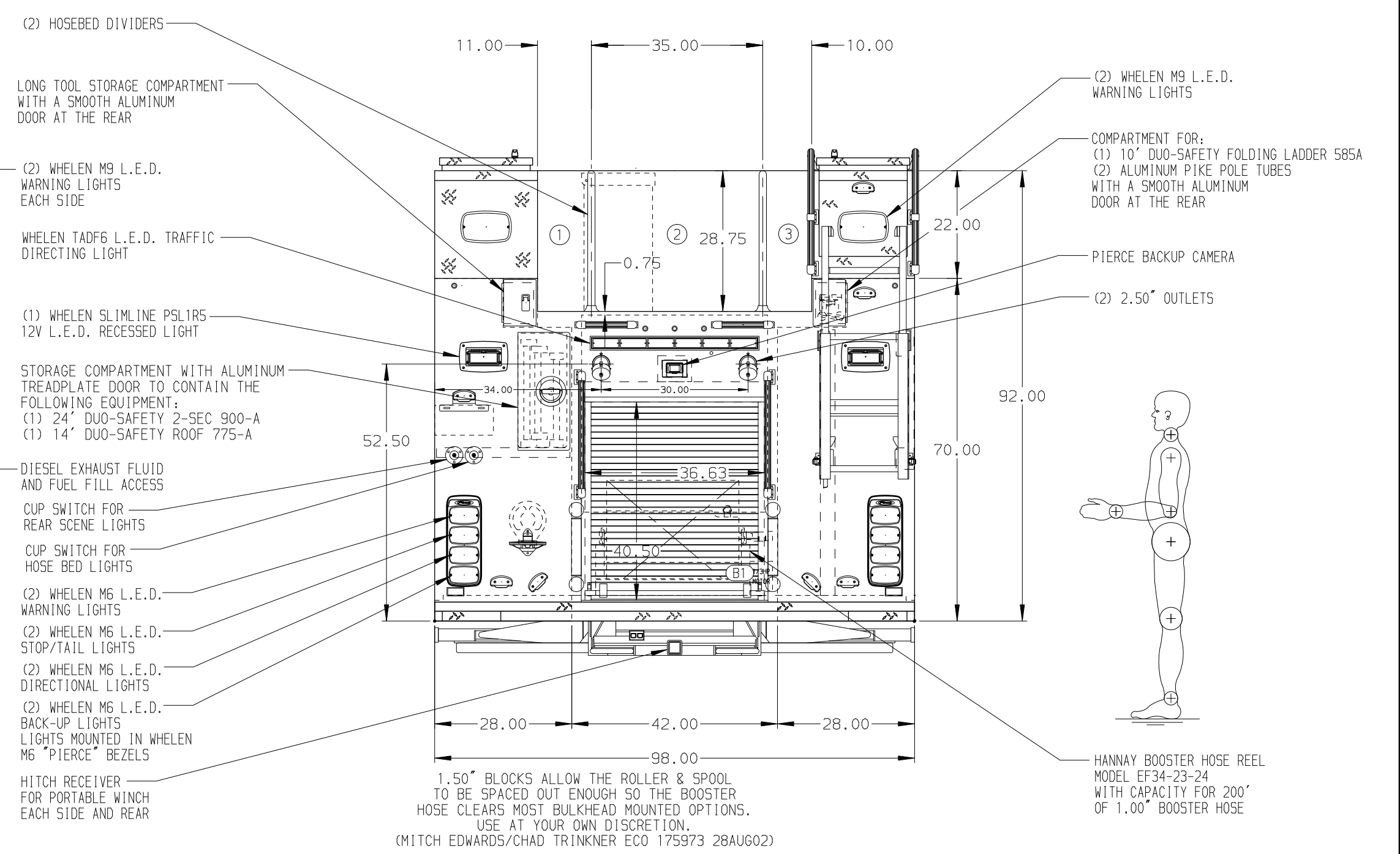
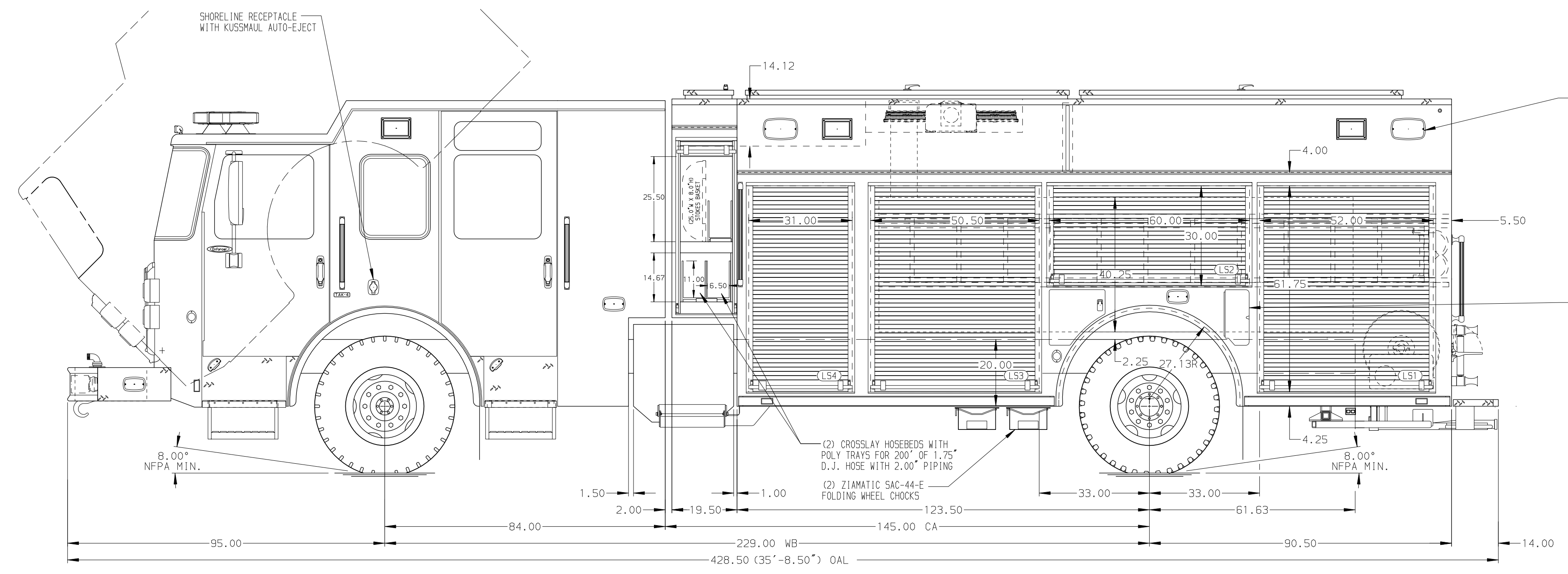
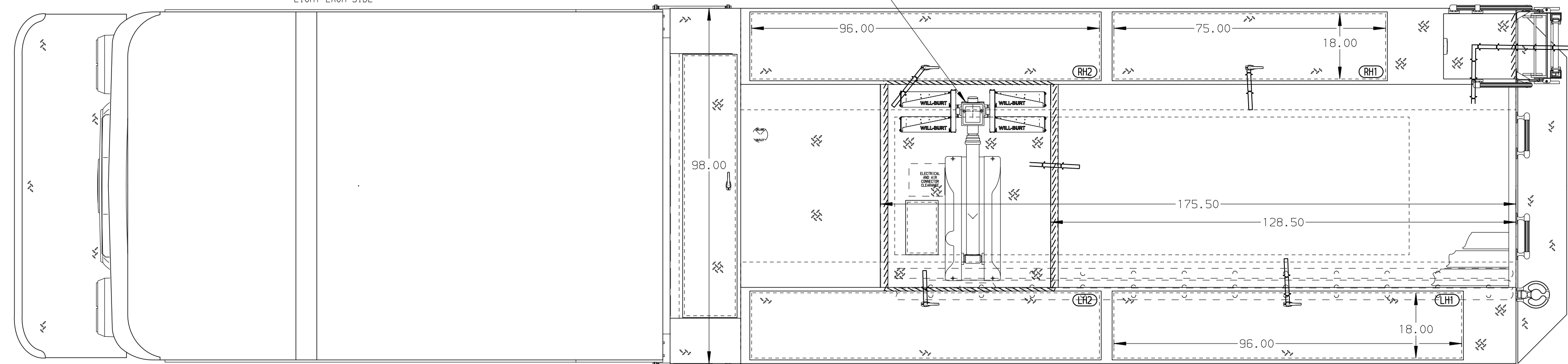


- HOSEBED CAPACITIES**
- ① 300' OF 1.75" D.J. POLY HOSE
 - 200' OF 2.50" D.J. POLY HOSE ON TOP
 - ② 1000' OF 5.00" D.J. POLY HOSE
 - ③ 400' OF 2.50" D.J. POLY HOSE



ALUMINUM BODY

SIDE ROLL AND FRONTAL IMPACT PROTECTION

NOTE
DIMENSIONS SHOWN ARE APPROXIMATE AND ARE SUBJECT TO MINOR DEVIATIONS AS MAY OCCUR OR BE NECESSARY IN CONSTRUCTION. MINOR DETAILS NOT SHOWN.

1. BATTERY CHARGER LOCATED BEHIND DRIVER'S SEAT
2. BATTERY CHARGER INDICATOR LOCATED ON DRIVER'S SEAT RISER
3. AIR INLET/OUTLET WITH DISCONNECT FITTING ON DRIVER'S SIDE PUMP PANEL
4. AIR OUTLET WITH SHUT OFF VALVE ON DRIVER'S SIDE PUMP PANEL
5. DUAL L.E.D. LIGHT STRIPS LOCATED IN HOSE BED
6. ONE FULL WIDTH/DEPTH ADJUSTABLE SHELF WITH SIDES IN COMPARTMENTS B1, TWO IN LS1, LS3, THREE IN RS3, RS4
7. ONE ADJUSTABLE TILT/SLIDE-OUT FULL WIDTH/DEPTH TRAY IN COMPARTMENTS RS2, TWO IN RS1
8. ONE FLOOR MOUNTED SLIDE-OUT TRAY IN COMPARTMENTS LS1, RS1, RS3
9. ONE SWING-OUT ALUMINUM TOOL BOARD IN COMPARTMENT LS2
10. THREE POLY TOOL BOXES LOCATED IN COMPARTMENT RS4

11. TWO CTECH DRAINER ASSEMBLIES IN COMPARTMENT LS3
12. ONE VERTICAL PARTITION IN COMPARTMENT LS3

REV	DATE	BY	CH	ENFORCER
15JAN20	JWO	CSH		CHASSIS DATA
18NOV20	JWO	CSH		MAKE
21SEP20	JWO	CSH		PIERCE
24AUG20	JWO	CSH		MODEL
24JUN20	CDU	AZA		

		JOB NO.	35113
		SCALE	DATE
TITLE 1500-D-750P ,214", FULL HEIGHT, FULL DEPTH (2) X-LAY, (1) DEADLAY, BOOSTER REEL, LIGHT TOWER	FOR TERRYVILLE FIRE DISTRICT TERRYVILLE, CONNECTICUT	DRAWN BY	JWO
		CHECKED BY	CDU
DWG NO.	35113AD	SHEET SIZE	SHEET NO.
		D	1 OF 1