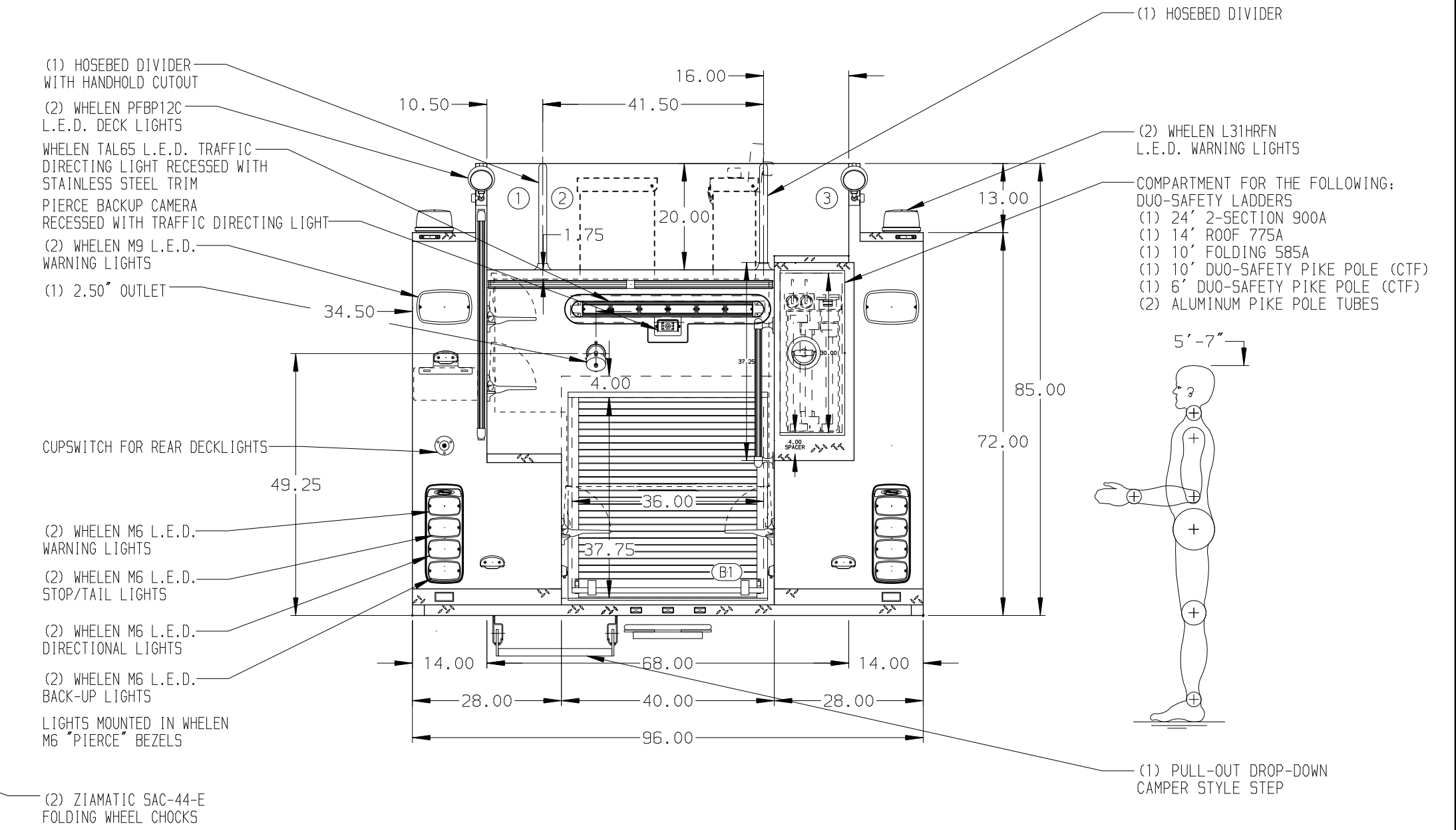
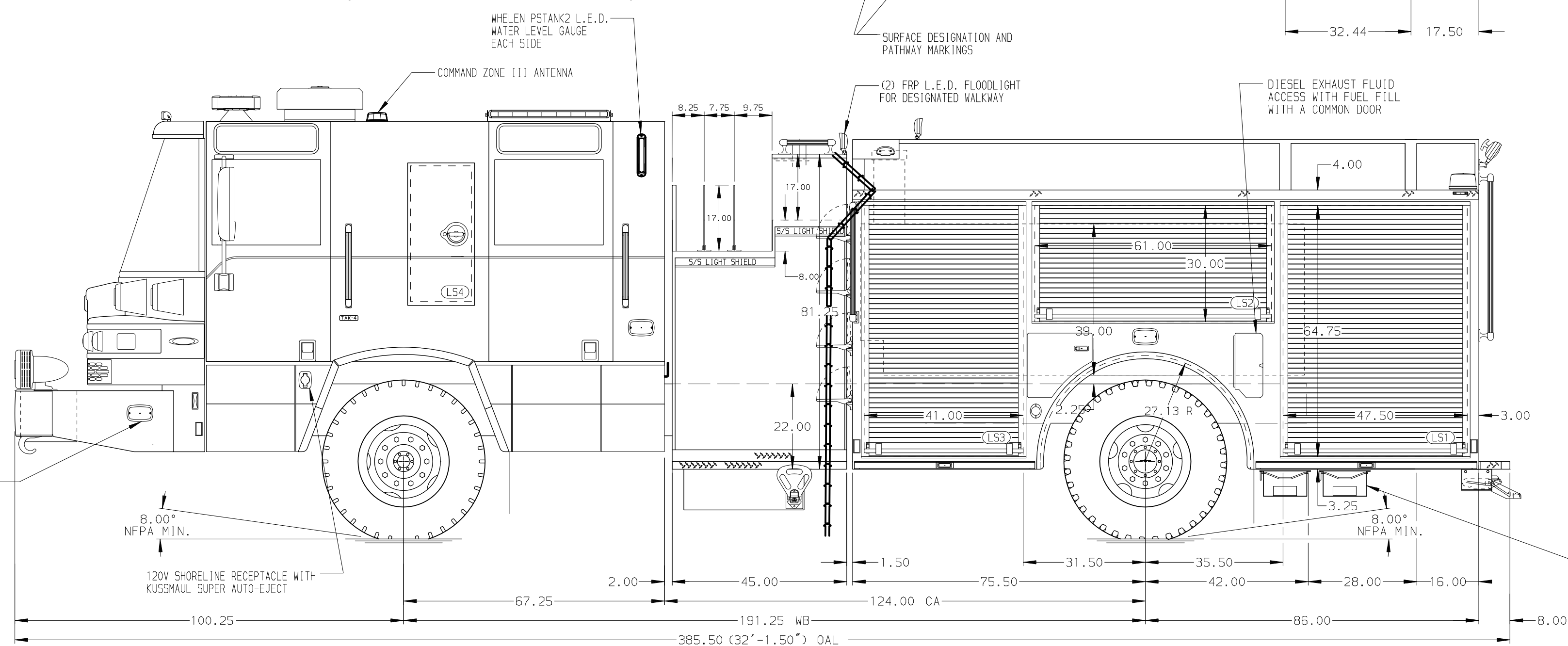


- HOSEBED CAPACITIES
- ① 400' OF 2.50" HOSE
  - ② 1050' OF 5.00" HOSE
  - ③ 400' OF 1.75" HOSE



ALUMINUM BODY

NOTE  
DIMENSIONS SHOWN ARE APPROXIMATE AND ARE SUBJECT TO MINOR DEVIATIONS AS MAY OCCUR OR BE NECESSARY IN CONSTRUCTION. MINOR DETAILS NOT SHOWN.

1. AIR INLET W/ DISCONNECT COUPLING ON DRIVER'S SIDE PUMP PANEL
2. BATTERY CHARGER LOCATED IN L53
3. BATTERY CHARGER INDICATOR LOCATED ON DRIVER'S SEAT RISER
4. DRIP PAN GUARD FOR ROLL-UP DOOR IN L51, L52, L53, B1, R51, R52, AND R53
5. FULL WIDTH/DEPTH ADJUSTABLE SHELVES TWO IN R51 AND R53 AND ONE IN L51, L53, B1, AND R52
6. ONE ADJUSTABLE SLIDE-OUT TRAY IN L53
7. ONE FLOOR MOUNTED SLIDE-OUT TRAY IN L51, B1, AND R51
8. ALUMINUM PEGBOARD ON BACK WALL OF L51, L53, AND R53

REV	DATE	BY	CH	QUANTUM
08SEP20	LST	PPE		MAKE
06AUG20	LST	PPE		PIERCE
05JUN20	LST	NPE		MODEL

		JOB NO.	35103
		SCALE	1:24
CHASSIS DATA TITLE 1750-D-780P, 750 GAL OF WATER W/ 30 GAL FOAM CELL 161" BODY, LDRS. BTWN. TANK & S. SHEET, (3) X-LAYS FOR STUART FIRE RESCUE STUART, FLORIDA	DRAWN BY	LST	01JUN20
	CHECKED BY	NPE	02JUN20
DWG NO.	35103AD	SHEET SIZE	D
		SHEET NO.	1 OF 1