

PUMPER BODY

Long Aluminum 2nd Gen Pumper

CHASSIS

Impel Chassis

CHASSIS AXLE, FRONT, CUSTOM

21,500 Lb Meritor Axle

AXLE, REAR

27,000 Lb Meritor Axle

ENGINE

450 HP Cummins L9 Engine

TRANSMISSION

Allison 5th Gen, 3000 EVS P

BUMPER

22" Extended Stainless Steel

CAB

7020 Impel FR Cab

BODY WATER TANK

750 Gallon Poly Water Tank

COMPT, PUMPER, REAR

44.50" FF RollUp Rear Compt

COMPT, PUMPER, LEFT SIDE

161" Lap Full Height & Depth Front & Rear

COMPT, PUMPER, RIGHT SIDE

161" Lap Full Height & Depth Front & Rear

FIRE SUPPRESSION PUMPHOUSE

45" Control Zone Top Mount

PUMP

1500 GPM Waterous CSU

CROSSLAYS, 1.50"

(2) 1.50" Crosslays Std. Capacity

CROSSLAYS, 2.50"

2.50" Crosslay Not Required

SPEEDLAYS

Speedlays Not Required

GENERATOR

Harrison MCR 10kw

Foam System

Husky 12 Dual Agent Foam System

Foam Cell

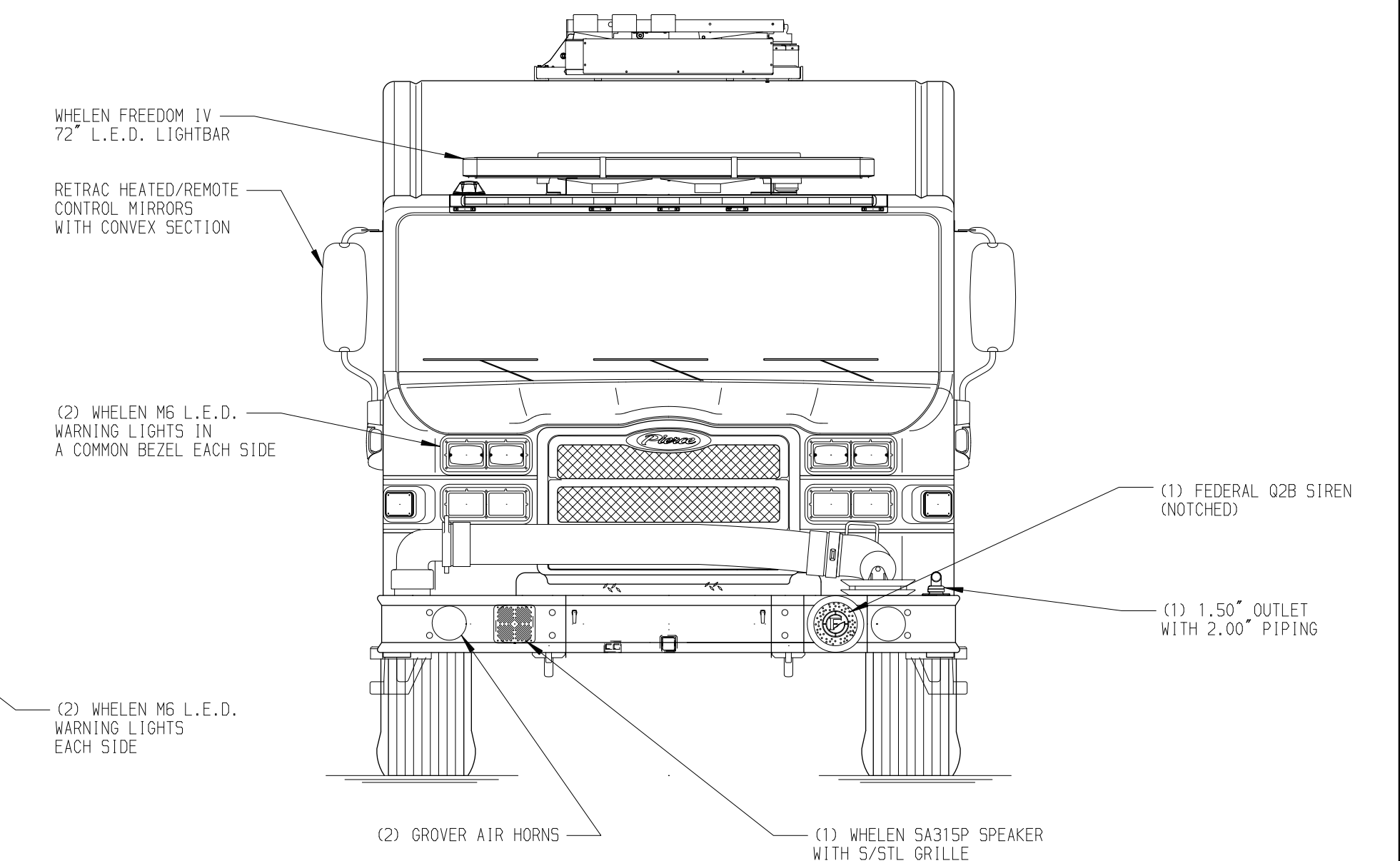
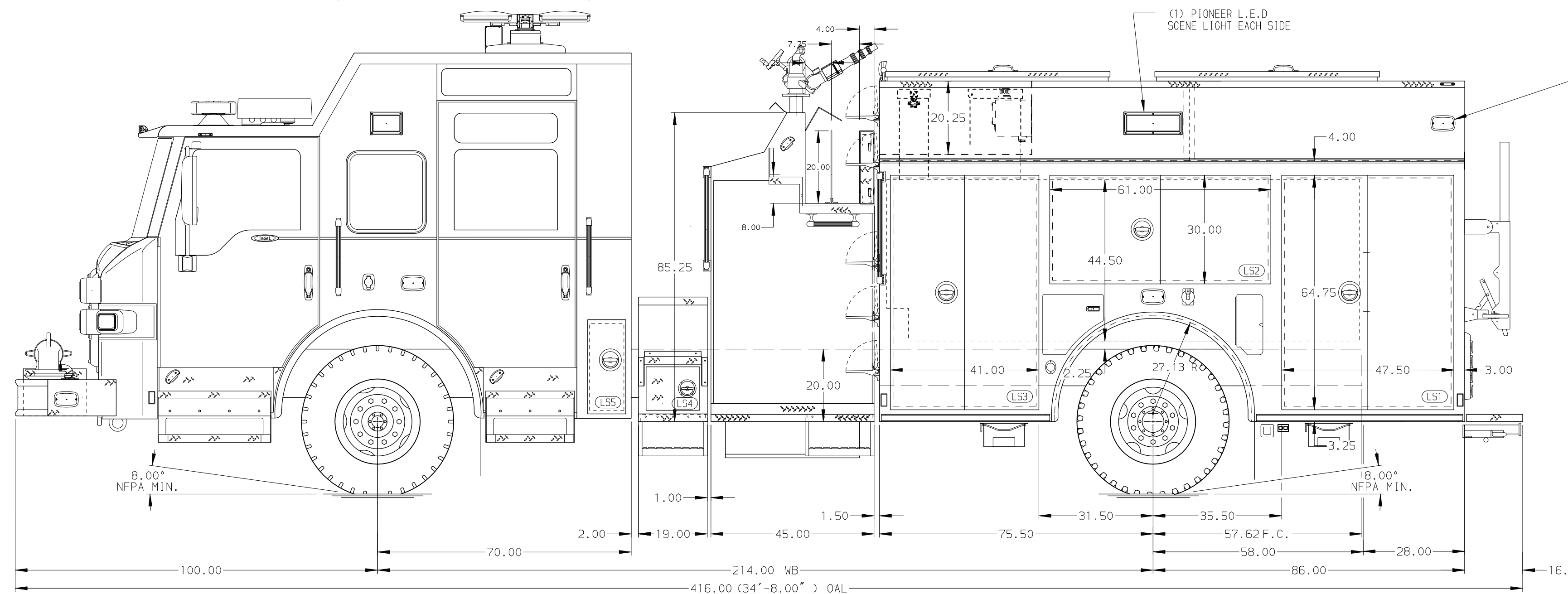
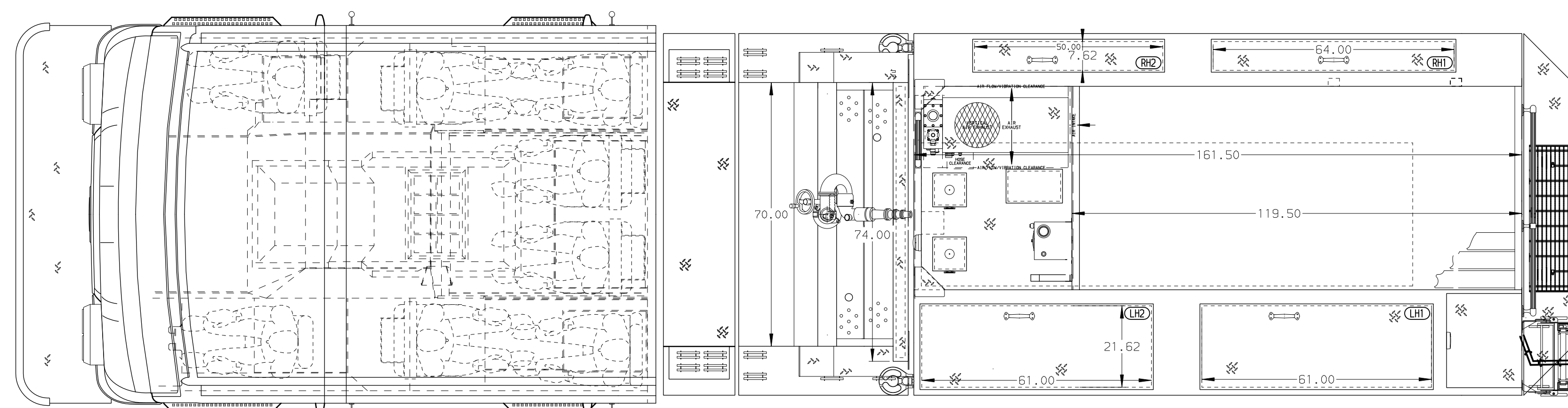
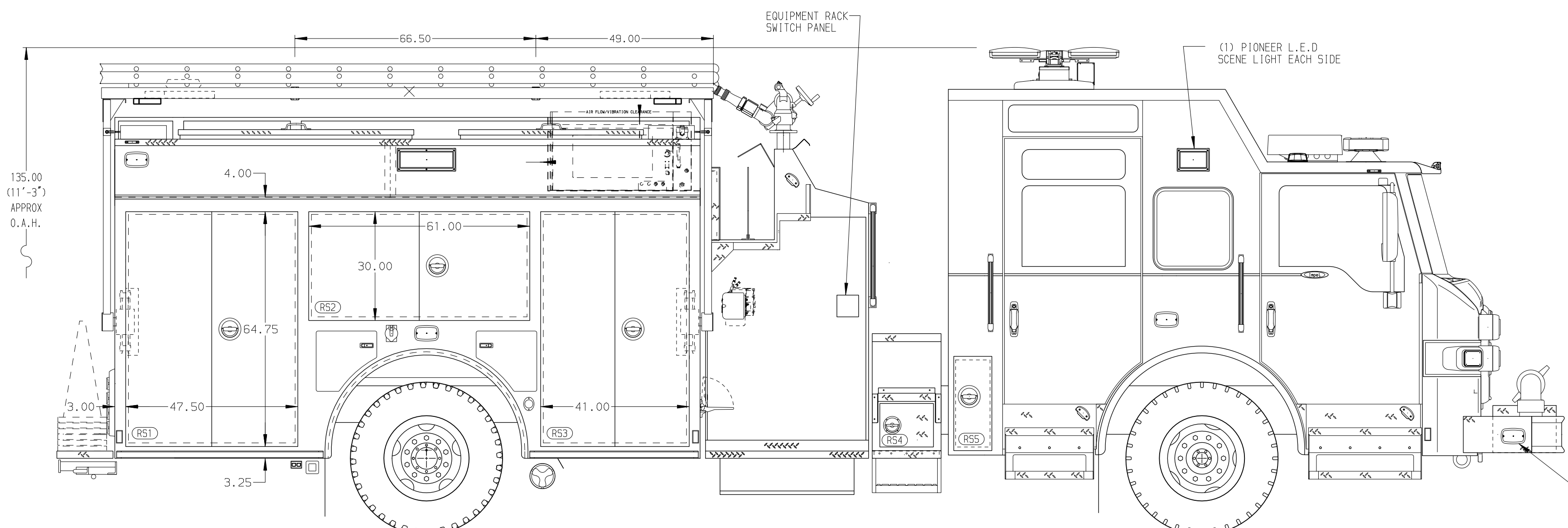
(2) 30 Gallon Foam Cell, Not Reduced Water

Side Roll and Frontal Impact Protection

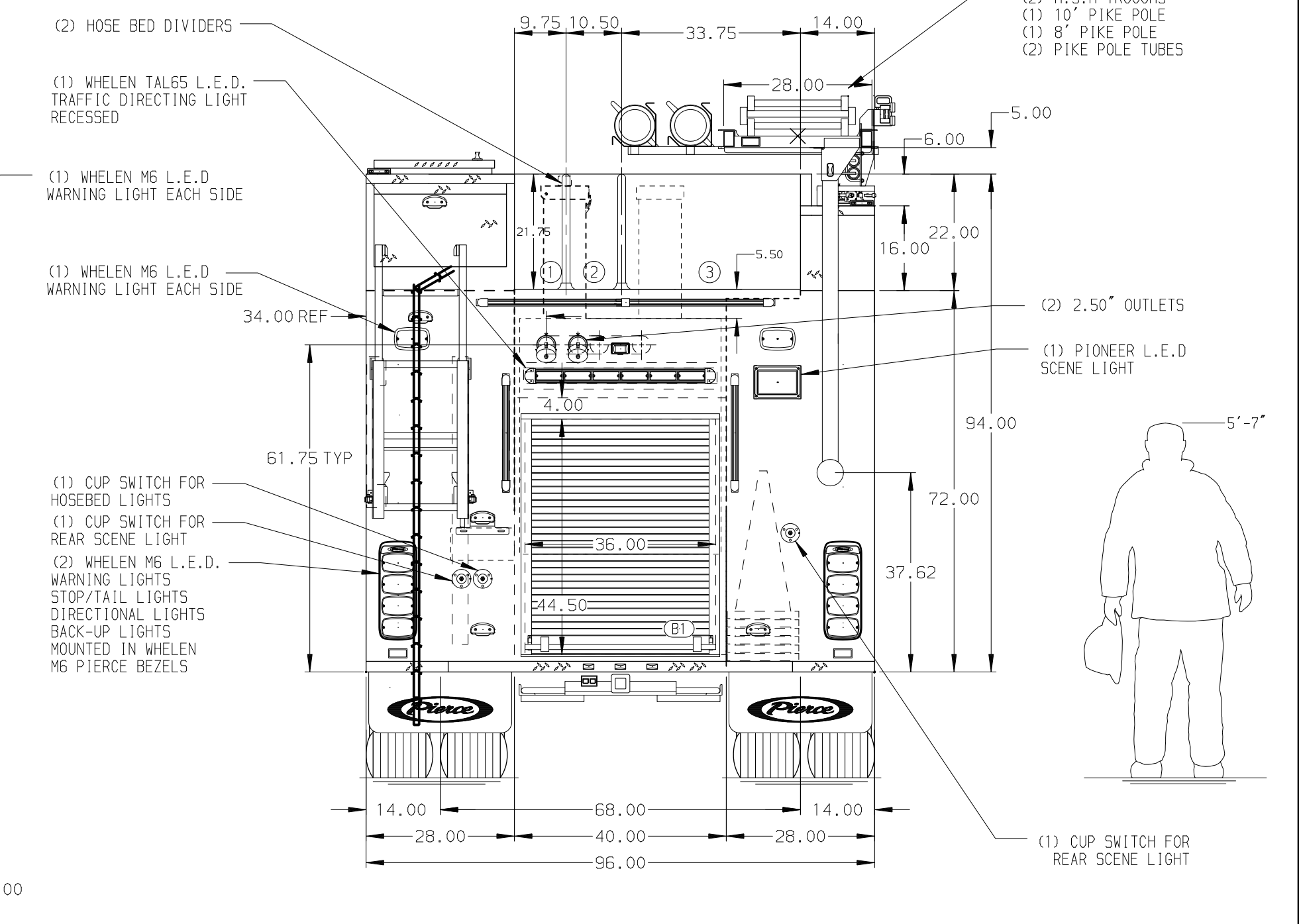
NOTE

DIMENSIONS SHOWN ARE APPROXIMATE AND ARE SUBJECT TO MINOR DEVIATIONS AS MAY OCCUR OR BE NECESSARY IN CONSTRUCTION. MINOR DETAILS NOT SHOWN.

- SHORELINE RECEPTACLE WITH KUSSMALL SUPER AUTO-EJECT LOCATED ON DRIVER SIDE OF THE CAB
- AIR INLET WITH DISCONNECT COUPLING IN THE DRIVER SIDE PUMP PANEL
- BATTERY CHARGER LOCATED IN COMPARTMENT PER SHOP ORDER
- BATTERY CHARGE INDICATOR LOCATED NEAR DRIVER SEAT RISER WITH BRACKET
- ELEVEN ADJUSTABLE SHELVES IN COMPARTMENTS PER SHOP ORDER
- ONE FLOOR MOUNTED SLIDE-OUT TRAY IN COMPARTMENT PER SHOP ORDER
- TWO TILT/SLIDE-OUT TRAYS IN COMPARTMENT PER SHOP ORDER
- AIR OUTLET WITH SHUT OFF VALVE LOCATED DRIVER SIDE PUMP PANEL
- SLIDE-OUT TOOLBOARD LOCATED IN COMPARTMENT PER SHOP ORDER
- 3/16" PLATE LOCATED IN COMPARTMENT PER SHOP ORDER
- THREE VERTICAL PARTITIONS IN COMPARTMENT PER SHOP ORDER
- ONE CIRCUIT BREAKER PANEL LOCATED IN COMPARTMENT PER SHOP ORDER



HOSEBED CAPACITY	
BED 1	250' OF 2.50" D.J. POLY HOSE
BED 2	250' OF 2.50" D.J. POLY HOSE
BED 2	1000' OF 5.00" D.J. POLY HOSE



- DUO-SAFETY LADDERS:
 (1) 24" 2 SECTION 900A
 (1) 14" ROOF 775A
 (1) 10" FOLDING 585A
 (2) 6" X 12" H.S.H
 (2) H.S.H TROUGHS
 (1) 10" PIKE POLE
 (1) 8" PIKE POLE
 (2) PIKE POLE TUBES

		JOB NO.	35089
		SCALE	DATE
TITLE Pierce Pumper Approval Drawing		DRAWN BY	MMF
FOR Town of Sheboygan Falls		CHECKED BY	NPE
DWG NO.		SHEET SIZE	SHEET NO.
35089AD		D	1 OF 1

REV	DATE	BY	CH	IMPEL
17AUG20	MMF	LPA	DATA	
06AUG20	MMF	LPA	MAKE	
20JUL20	MMF	LPA	PIERCE	
15JUL20	MMF	LPA	MODEL	