

PUMPER BODY

Long Aluminum 2nd Gen Pumper

CHASSIS

Impel Chassis

CHASSIS AXLE, FRONT, CUSTOM

22,800 Lb Dana Axle

AXLE, REAR

27,000 Lb Dana Axle

ENGINE

450 HP Cummins L9 Engine

TRANSMISSION

Allison 5th Gen, 3000 EVS P

BUMPER

19" Extended Painted Steel

CAB

7010 Impel FR Cab

BODY WATER TANK

1000 Gallon New York Style Water Tank

COMPT, PUMPER, REAR

30.75" FF RollUp Rear Compt

COMPT, PUMPER, LEFT SIDE

171" Lap Full Height Front & Rear FDLER

COMPT, PUMPER, RIGHT SIDE

171" RollUp Full Height Front & Rear FDLER

FIRE SUPPRESSION PUMPHOUSE

45" Control Zone Top Mount

PUMP

1500 GPM Waterous CSU

CROSSLAYS, 1.50"

1.50" Crosslays Not Required

CROSSLAYS, 2.50"

2.50" Crosslay Not Required

SPEEDLAYS

(2) 1.50" W/Tray Std. Capacity

GENERATOR

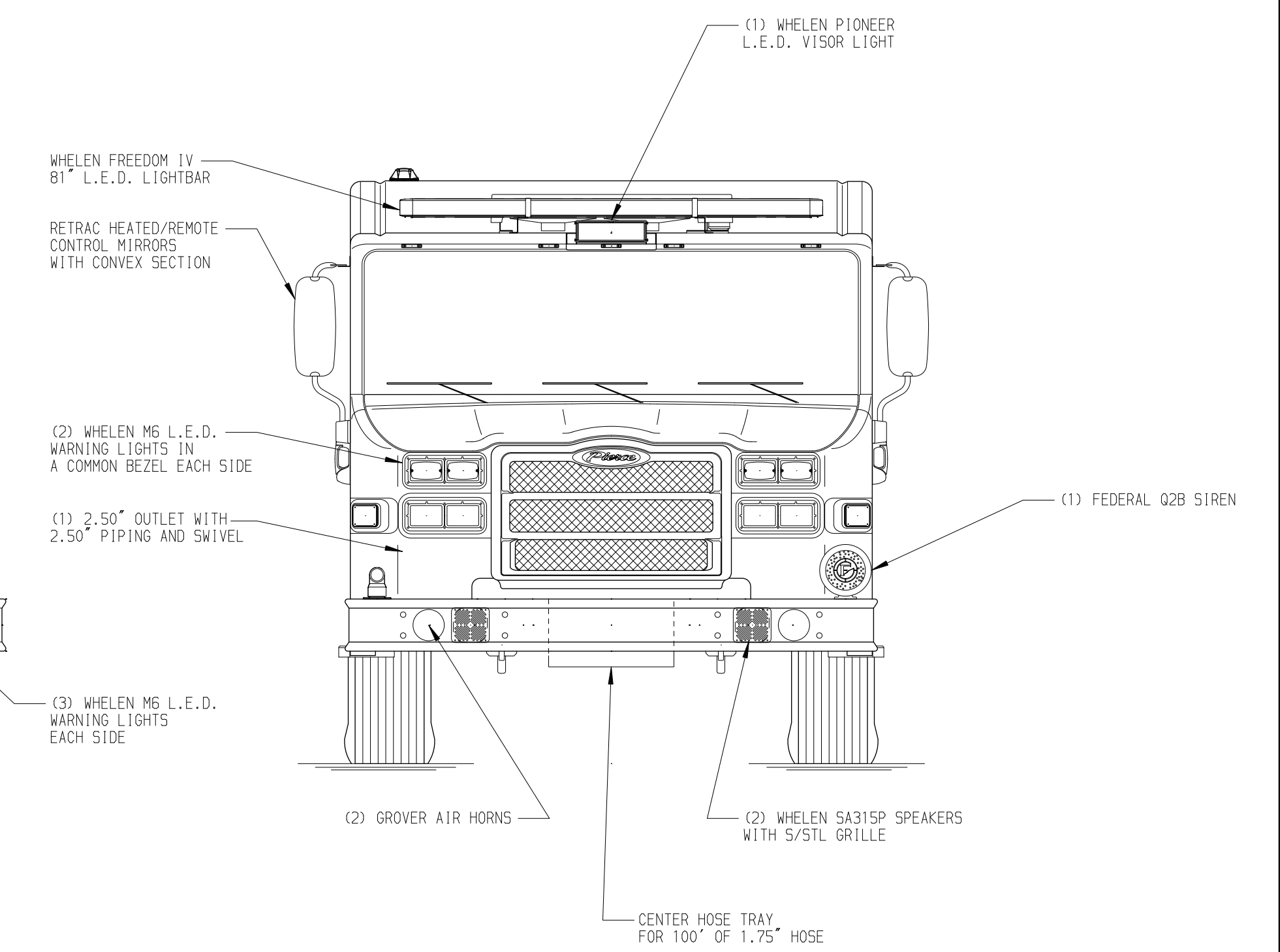
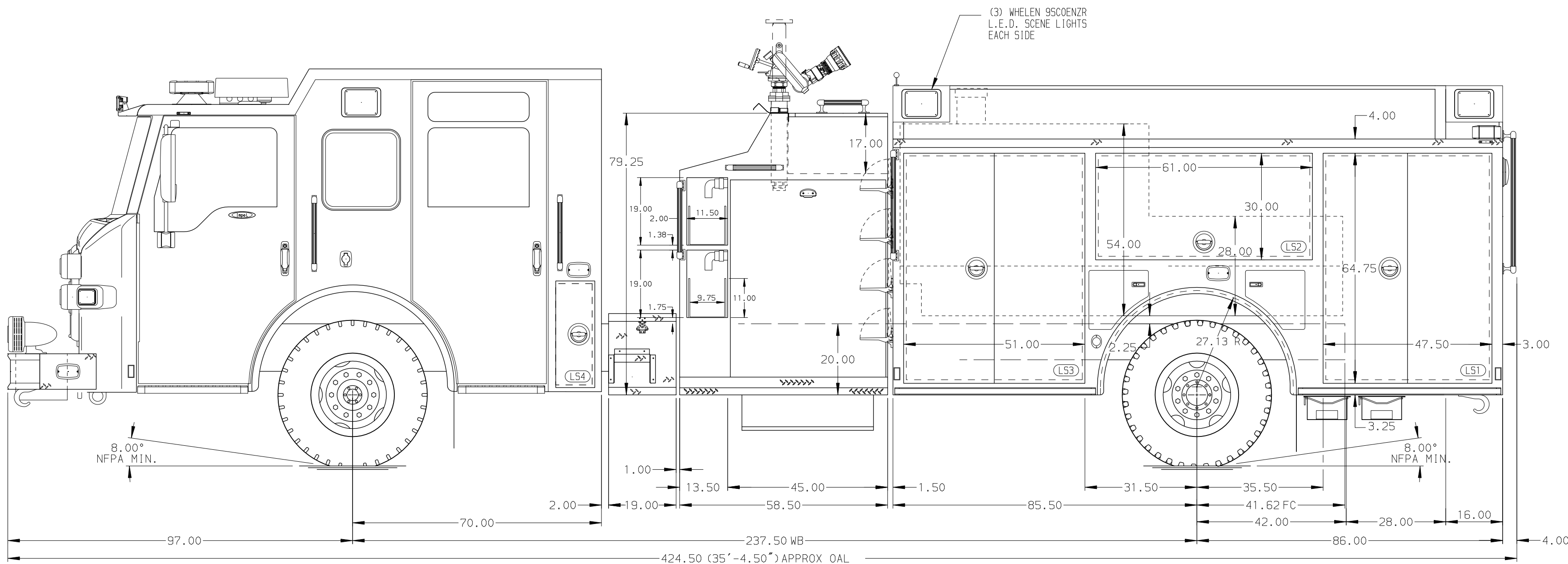
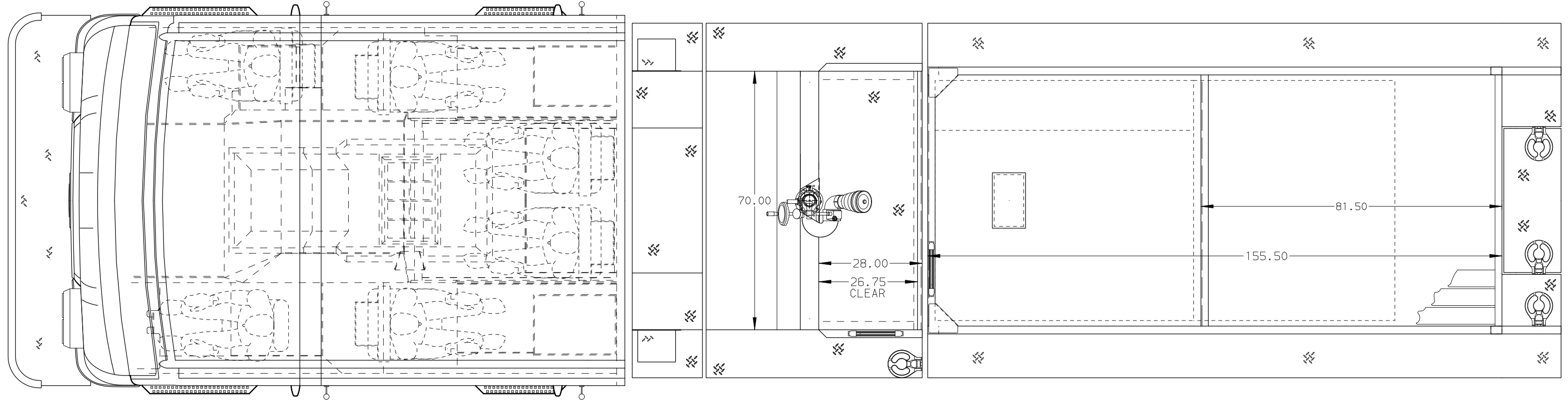
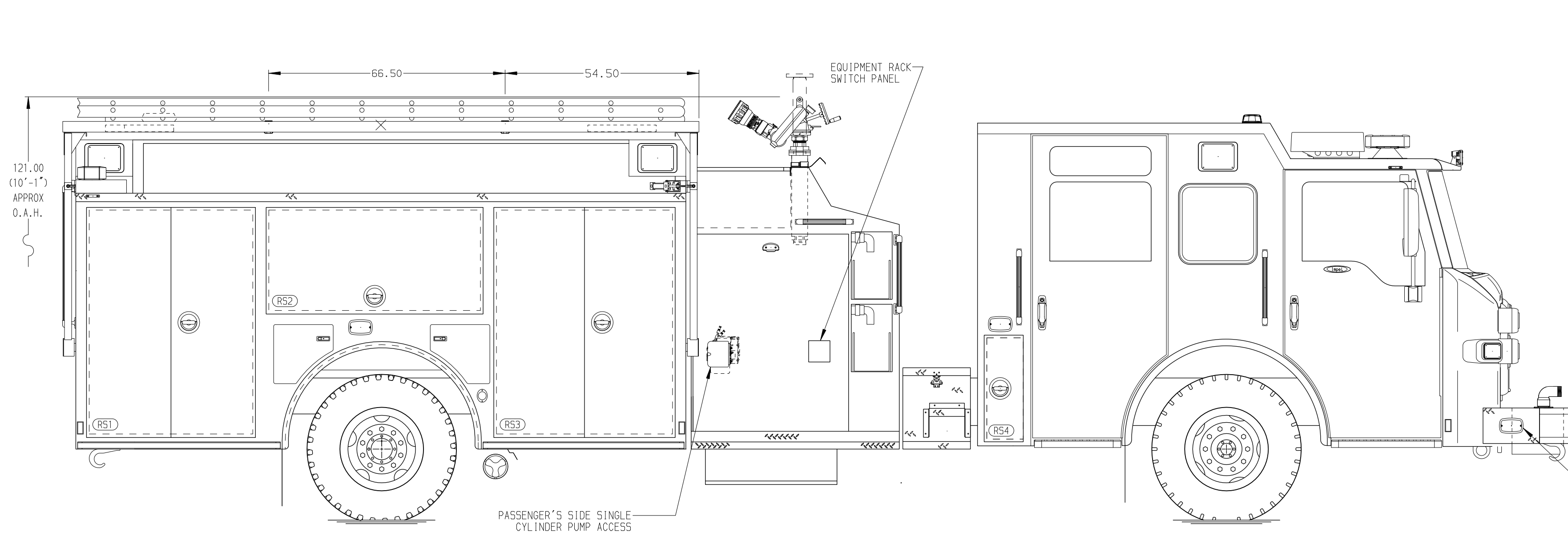
Generator Not Required

Foam System

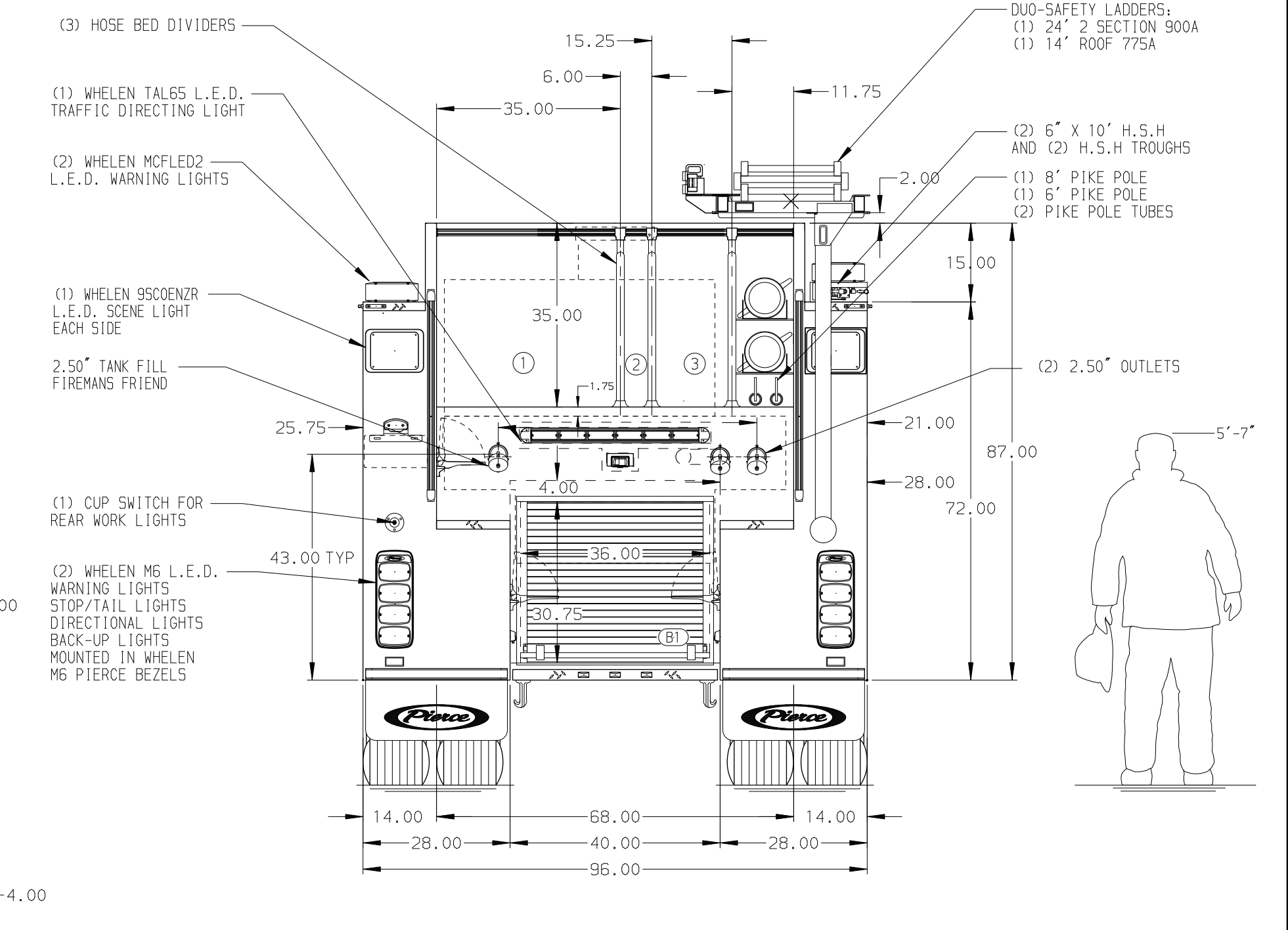
Foam System Not Required

Foam Cell

Foam Cell Not Required



| HOSEBED CAPACITY | |
|------------------|------------------------------|
| BED 1 | 500' OF 5.00" D.J. POLY HOSE |
| BED 2 | 200' OF 2.50" D.J. POLY HOSE |
| BED 3 | 400' OF 2.50" D.J. POLY HOSE |



NOTE
DIMENSIONS SHOWN ARE APPROXIMATE AND ARE SUBJECT TO MINOR DEVIATIONS AS MAY OCCUR OR BE NECESSARY IN CONSTRUCTION. MINOR DETAILS NOT SHOWN.

- ONE 1.50 OUTLET WITH 2.00 PIPING AND SWIVEL LOCATED IN CENTER BUMPER TRAY
- SHORELINE RECEPTACLE WITH KUSSMAUL SUPER AUTO-EJECT LOCATED ON DRIVER SIDE OF THE CAB
- AIR INLET WITH DISCONNECT COUPLING IN THE DRIVER SIDE PUMP PANEL
- BATTERY CHARGER LOCATED IN COMPARTMENT PER SHOP ORDER
- BATTERY CHARGE INDICATOR LOCATED NEAR DRIVER SEAT RISER WITH BRACKET
- ADJUSTABLE SHELVES IN COMPARTMENTS PER SHOP ORDER
- ONE FLOOR MOUNTED SLIDE-OUT TRAY IN COMPARTMENT PER SHOP ORDER

| REV | DATE | BY | CH |
|---------|------|-----|----|
| 23JUN20 | MMF | PJP | |

| | | | |
|---------|--------------------------------|------------|--------|
| | | JOB NO. | 35086 |
| | | SCALE | DATE |
| TITLE | Pierce Pumper Approval Drawing | | |
| FOR | Tipton Fire Department | | |
| DWG NO. | 35086AD | CHECKED BY | NPE |
| | | SHEET SIZE | D |
| | | SHEET NO. | 1 OF 1 |