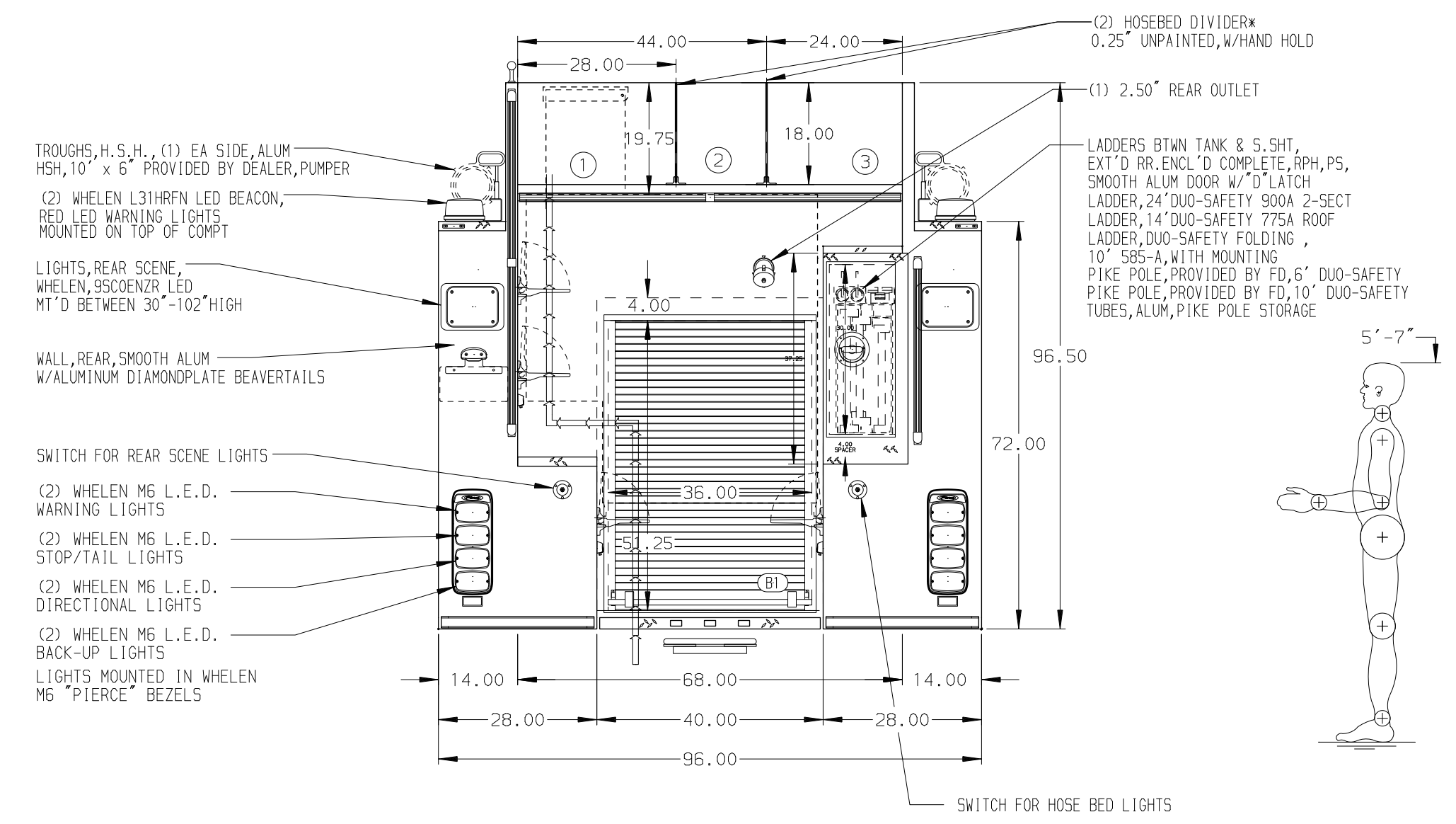
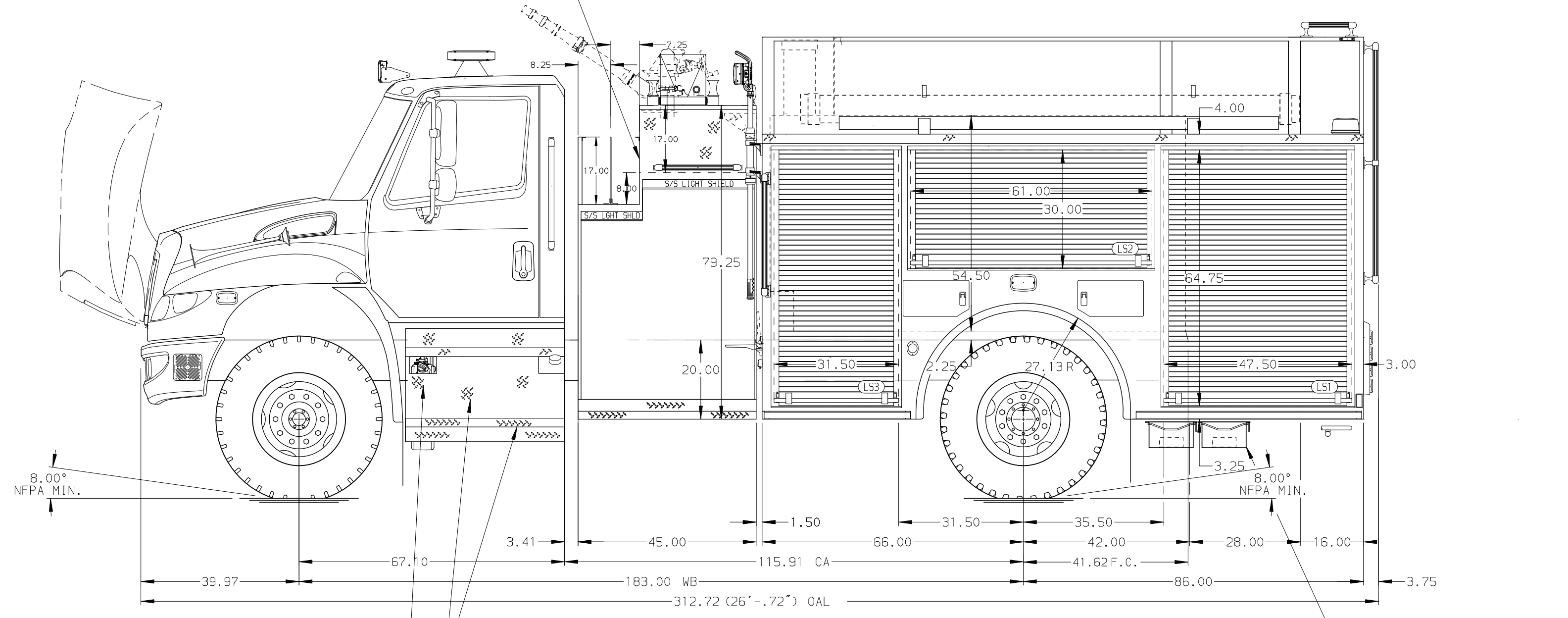


- HOSEBED CAPACITIES
- ① 1000' OF 3.00" D.J. POLYESTER HOSE
 - ② 400' OF 5.00" D.J. POLYESTER HOSE
 - ③ 600' OF 5.00" D.J. POLYESTER HOSE



ALUMINUM BODY

NOTE
DIMENSIONS SHOWN ARE APPROXIMATE AND ARE SUBJECT TO MINOR DEVIATIONS AS MAY OCCUR OR BE NECESSARY IN CONSTRUCTION. MINOR DETAILS NOT SHOWN.

		JOB NO.	35084
		SCALE	DATE
		TITLE	1250-D-1000 POLY, 152" BODY, D5&PS FULL HEIGHT 45" SIDE CONTROL, (2) CROSSLAYS
		FOR	HALEYVILLE FIRE DEPARTMENT HALEYVILLE, ALABAMA
		DWG NO.	35084AD
		SHEET NO.	1 OF 1

REV	DATE	BY	CH	MV
28SEP20	RHU	GSC		MAKE
28AUG20	RHU	GSC		IHC
15JUN20	RHU	RW1		MODEL