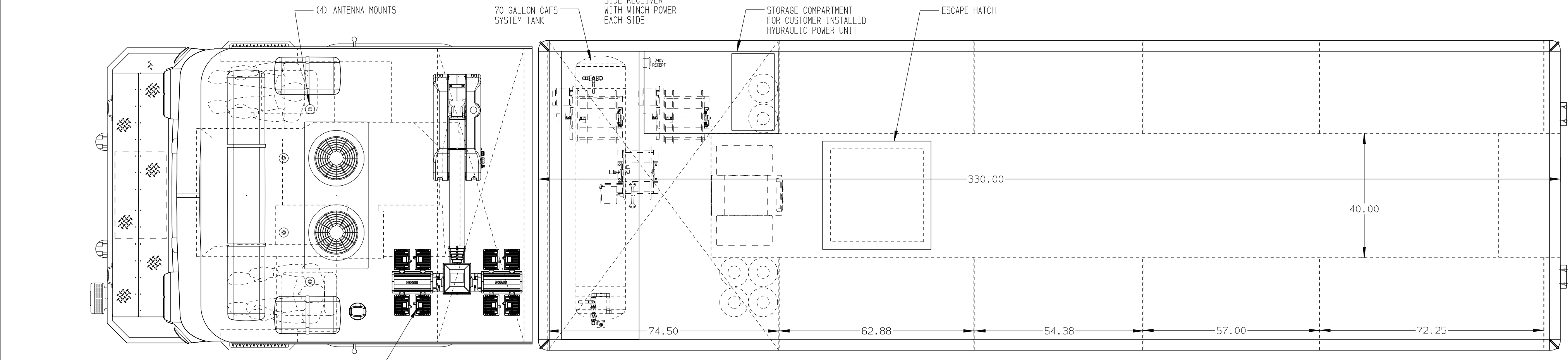
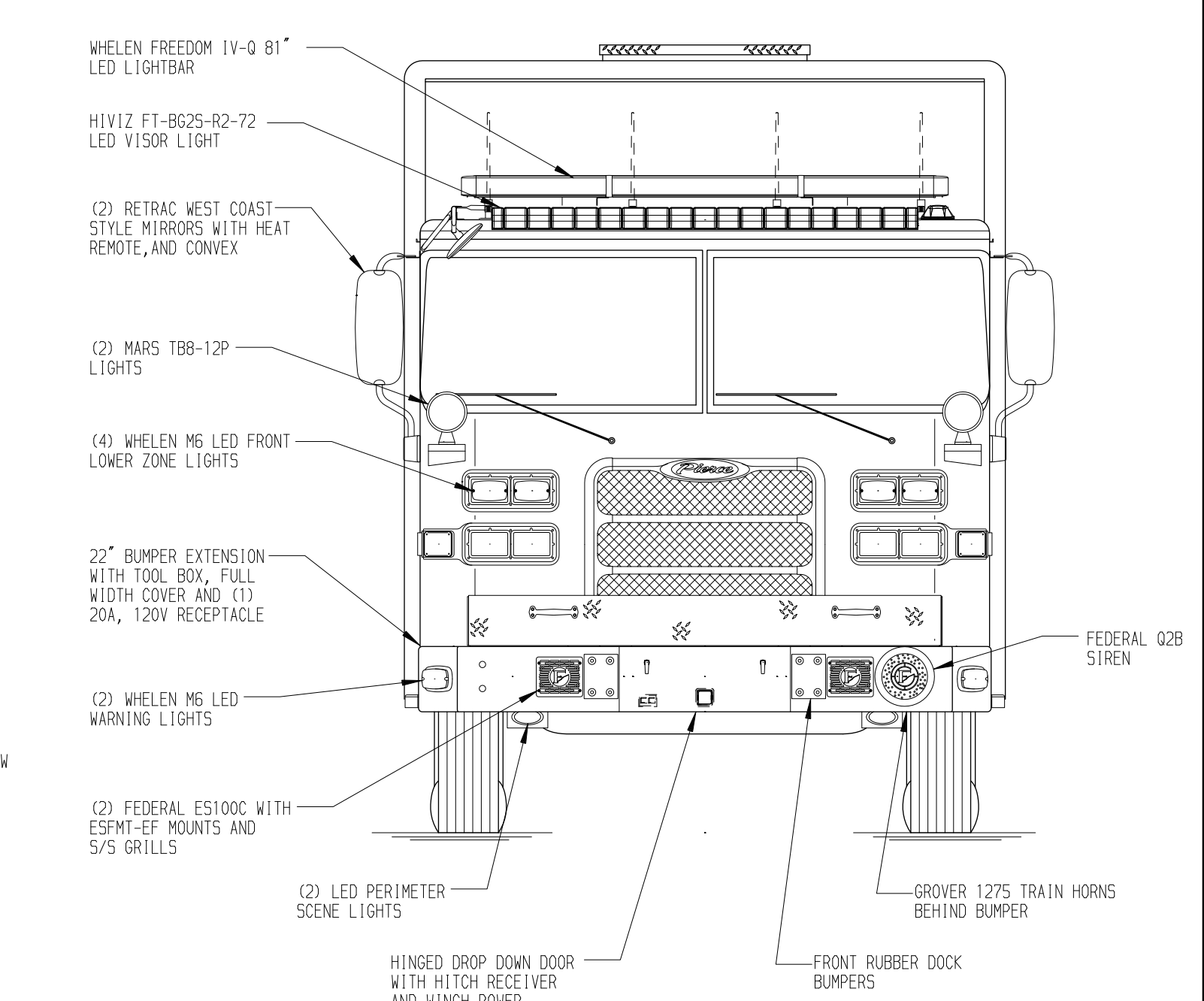
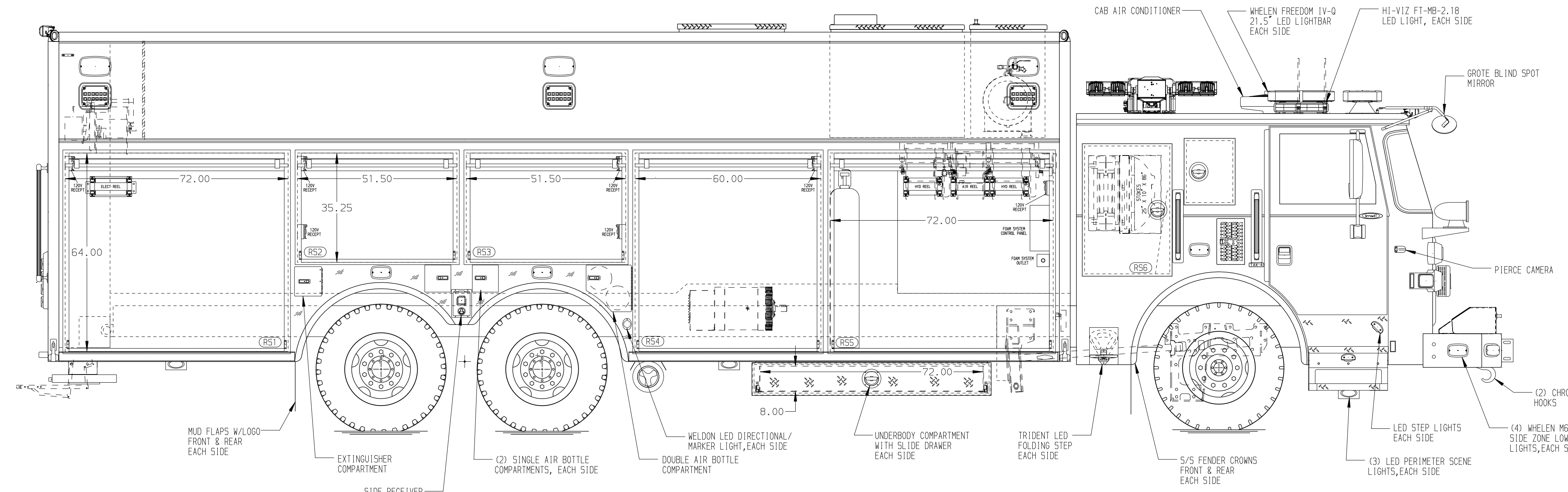
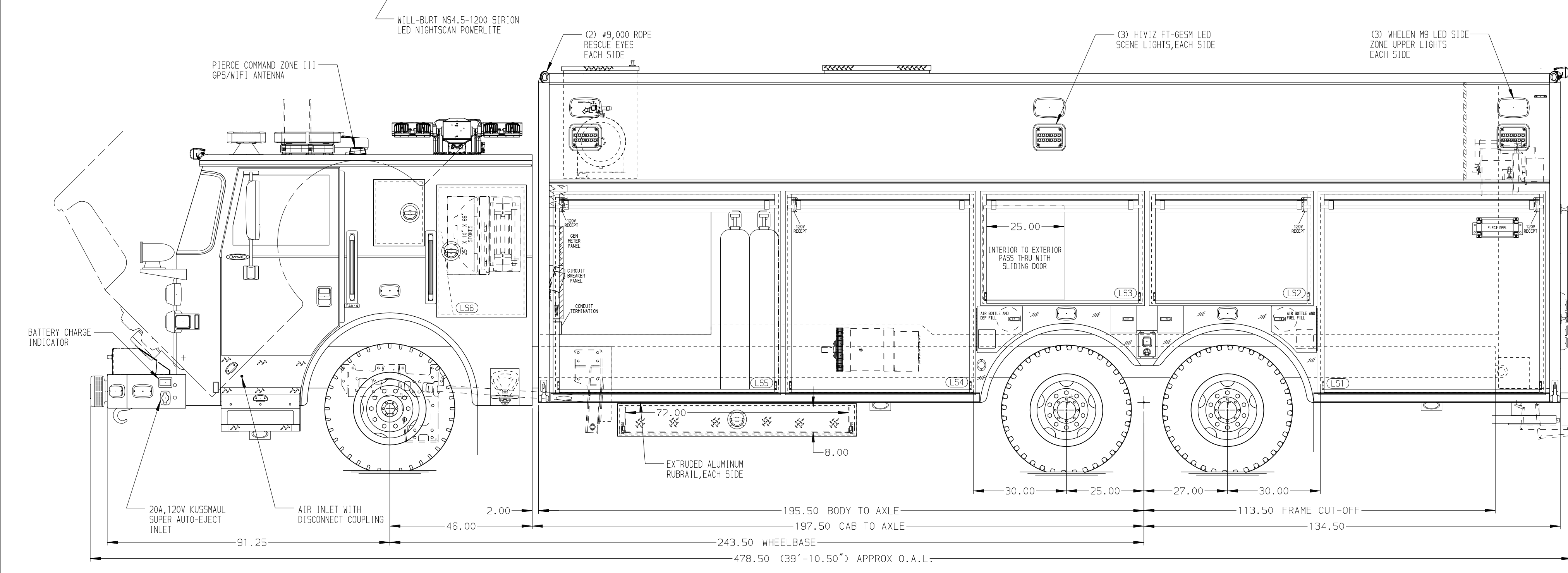
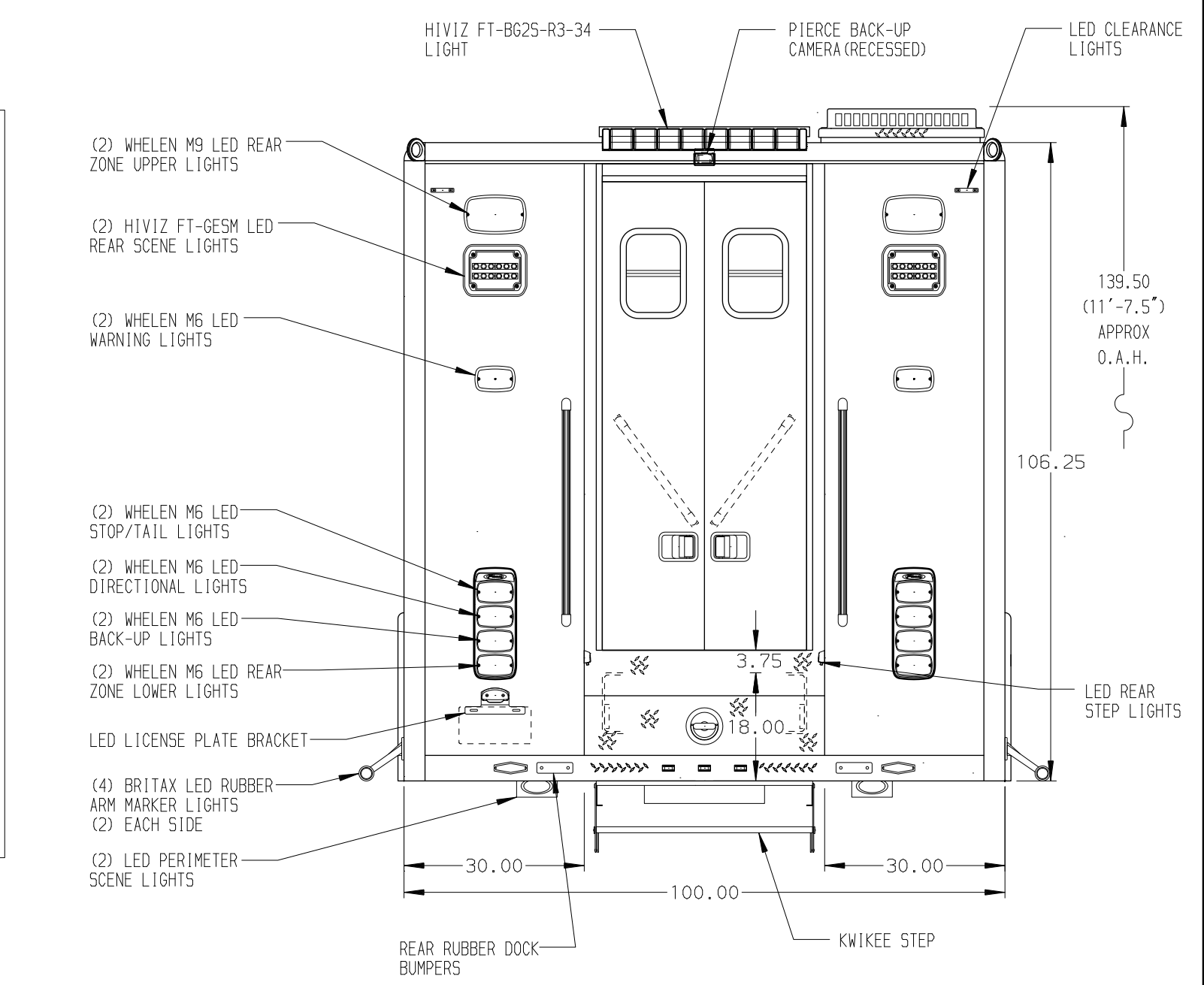


- RIGHT SIDE COMPARTMENTS CONTAIN THE FOLLOWING:**
- COMPARTMENT R51 CONTAINS:
 - (1) 15/20A, 120V DUPLEX RECEPTACLE
 - (1) ELECTRIC CABLE REEL WITH 200' OF 10/4 BLACK CORD
 - COMPARTMENT R52 CONTAINS:
 - (2) 15/20A, 120V DUPLEX RECEPTACLES
 - COMPARTMENT R53 CONTAINS:
 - (2) 15/20A, 120V DUPLEX RECEPTACLES
 - COMPARTMENT R54 CONTAINS:
 - (1) 15/20A, 120V DUPLEX RECEPTACLE
 - COMPARTMENT R55 CONTAINS:
 - (1) CAB LIFT CONTROLLER
 - (1) 15/20A, 120V DUPLEX RECEPTACLE
 - (2) 6000 UN AIR STORAGE BOTTLES
 - (2) HYDRAULIC HOSE REELS WITH 100' OF CORE TECH HOSE
 - (1) HIGH PRESSURE AIR REEL WITH 300' OF HOSE
 - (1) REMOTE SWITCH FOR HYDRAULIC POWER UNIT RECEPTACLE
 - (1) CAF SYSTEM CONTROL PANEL & OUTLET
 - COMPARTMENT R56 CONTAINS:
 - (1) LITTLE GIANT LADDER RACK
 - (1) RACK FOR 2 BACKBOARDS
 - (1) STOKES BASKET RACK



- LEFT SIDE COMPARTMENTS CONTAIN THE FOLLOWING:**
- COMPARTMENT L51 CONTAINS:
 - (1) 15/20A, 120V DUPLEX RECEPTACLE
 - (1) ELECTRIC CABLE REEL WITH 200' OF 10/4 BLACK CORD
 - COMPARTMENT L52 CONTAINS:
 - (1) 15/20A, 120V DUPLEX RECEPTACLE
 - COMPARTMENT L53 CONTAINS:
 - (1) SLIDING PASS THRU ON REAR WALL
 - COMPARTMENT L54 CONTAINS:
 - (1) 15/20A, 120V DUPLEX RECEPTACLE
 - COMPARTMENT L55 CONTAINS:
 - (1) KUSSMAUL 1200 CHARGER
 - (1) CIRCUIT BREAKER PANEL
 - (1) SUB FEED PANEL
 - (1) GENERATOR METER PANEL
 - (1) NIGHTSCAN CONTROLLER
 - (1) 15/20A, 120V DUPLEX RECEPTACLE
 - (4) 6000 UN AIR STORAGE BOTTLES
 - (1) 1.0" CONDUIT IN TERMINATION BOX
 - COMPARTMENT L56 CONTAINS:
 - (1) LITTLE GIANT LADDER RACK
 - (1) RACK FOR 2 BACKBOARDS
 - (1) STOKES BASKET RACK



NOTE
DIMENSIONS SHOWN ARE APPROXIMATE AND ARE SUBJECT TO MINOR DEVIATIONS AS MAY OCCUR OR BE NECESSARY IN CONSTRUCTION. MINOR DETAILS NOT SHOWN.

- NOTES:**
- ONAN 25kW SINGLE PHASE PTO DRIVEN GENERATOR LOCATED BETWEEN THE FRAME RAILS
 - ONSPOT AUTOMATIC TIRE CHAINS
 - POLISHED S/S SCUFFPLATES ON CAB DOOR JAMBS AND BEHIND HANDRAILS
 - FLOOR IN CAB TO BE PADDED RUBBER
 - DAVID CLARK 6-POSITION INTERCOM SYSTEM
 - PIERCE LED STRIP LIGHTS IN ALL BODY COMPARTMENTS
 - BRUSHED S/S SCUFFPLATE ON EACH REAR FENDER PANEL
 - HARN 9000 PORTABLE WINCH RECEPTACLE STRIPS IN CAB
 - (2) 20A, 120V G-PLACE RECEPTACLE STRIPS IN CAB
 - (1) 20A, 240V TL RECEPTACLE IN PASSENGER'S SIDE ROOF COMPARTMENT FOR CUSTOMER'S HYDRAULIC POWER UNIT

SIDE ROLL AND FRONTAL IMPACT PROTECTION

CLEAR DOOR WIDTH KEY		CHASSIS DATA	
AMDR ROLL UP DOORS:	-2 1/4"	13MAY21	DHE AZU MAKE
CORTITE ROLL UP DOORS:	-2 1/2"	02APR21	DHE AZU PIERCE
PIERCE DOUBLE LAP DOORS:	-4 1/4"	01SEP20	DHE AZU MODEL
PIERCE LIFT-UP LAP DOORS:	-1 1/2"		REV DATE BY CH
(EX: 60" F-F - 2 1/4" = 57 3/4" CLEAR)		(F-F) = FRAME TO FRAME	

		JOB NO.	35082
		SCALE	DATE
TITLE	HEAVY DUTY RESCUE WALKIN	DRAWN BY	DHE 20AUG20
FOR	SISTER BAY & LIBERTY GROVE FIRE DEPARTMENT	CHECKED BY	AZU 12AUG20
	BID #804	LESLIE NILES	SHEET SIZE
DWG NO.	35082AD-SH1		SHEET NO.
			1 OF 1