

# Pumper, PUC BODY

Pumper, PUC, Aluminum

## CHASSIS

Velocity Chassis, PUC (Big Block)

## CHASSIS

AXLE, FRONT, CUSTOM

22,800 Lb TAK-4 Axle

## AXLE, REAR

31,000 Lb Meritor Axle

## ENGINE

505 HP DD13 Engine

## TRANSMISSION

Allison 5th Gen, 4500 EVS P

## BUMPER

19" Extended Painted Steel

## CAB

7010 Velocity FR Cab, PUC

## BODY

### WATER TANK

500 Gallon Poly Water Tank

### COMPT, PUMPER, REAR

33.50" FF RollUp Rear Compt w/Tailboard, PUC

### COMPT, PUMPER, LEFT SIDE

189" RollUp Full Height & Depth Front & Rear, PUC

### COMPT, PUMPER, RIGHT SIDE

189" RollUp Full Height & Depth Front & Rear, PUC

## FIRE SUPPRESSION

### PUMPHOUSE

Control Zone, PUC

### PUMP

1500 GPM Pierce PUC

### CROSSLAYS, 1.50"

(2) 1.50", Poly Trays, 200'

### CROSSLAYS, 2.50"

(1) 2.50", Poly Tray, 200'

### GENERATOR

Generator Not Required

### Foam System

Husky 3 Single Agent Foam System

### Foam Cell

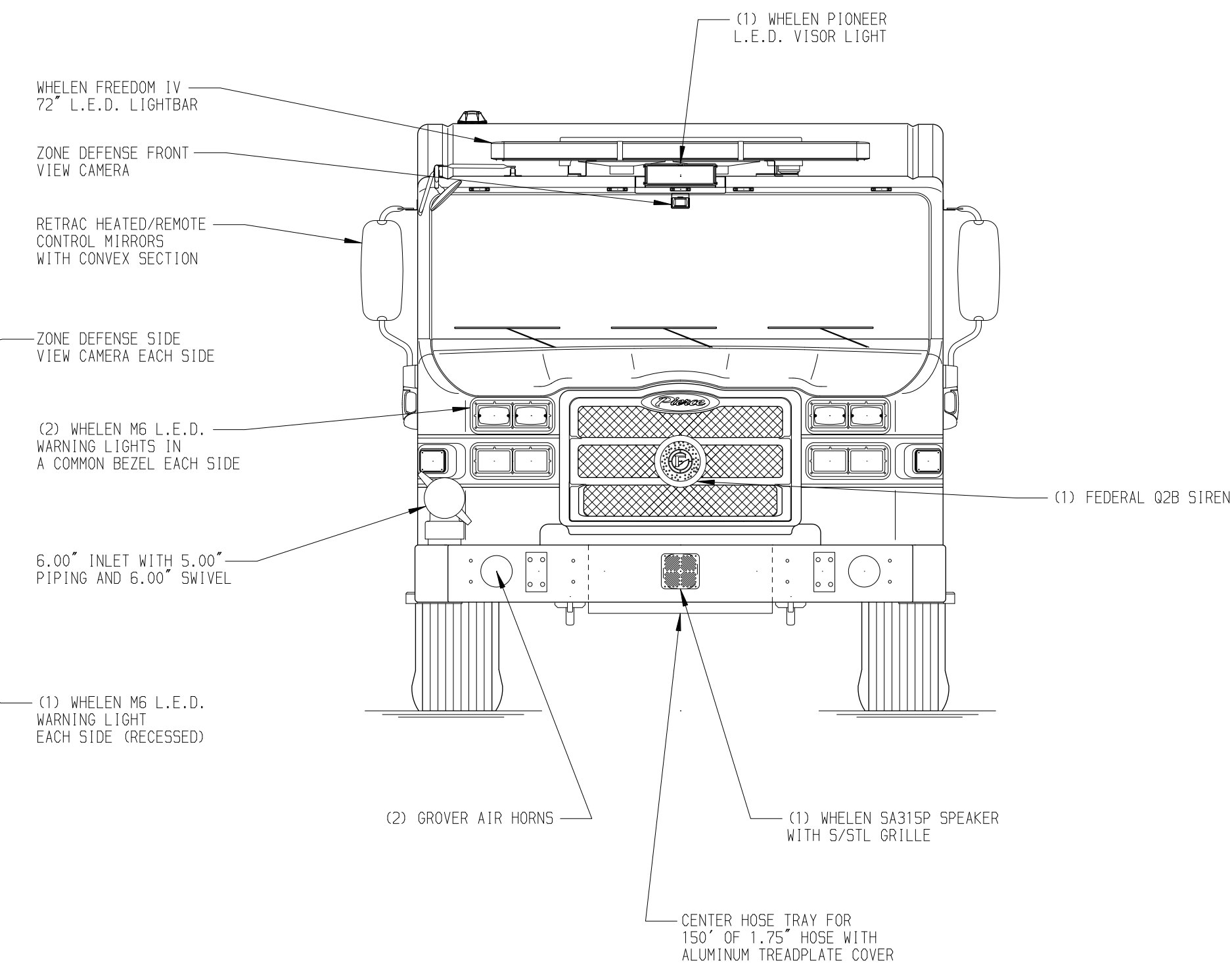
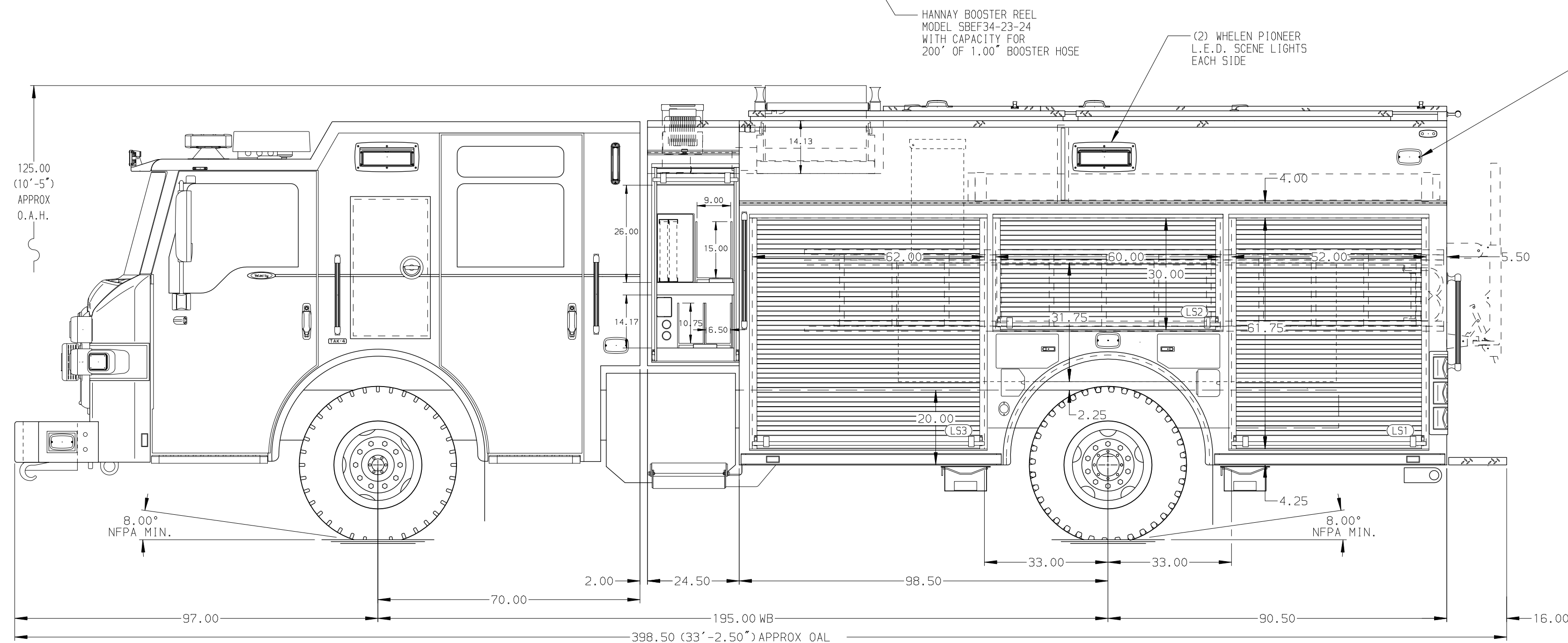
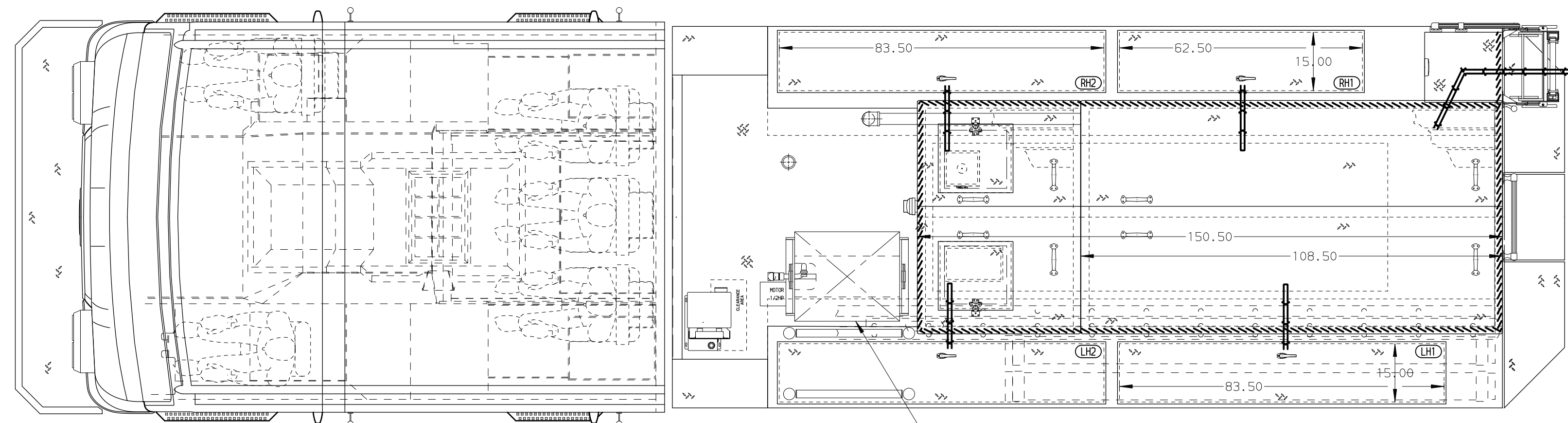
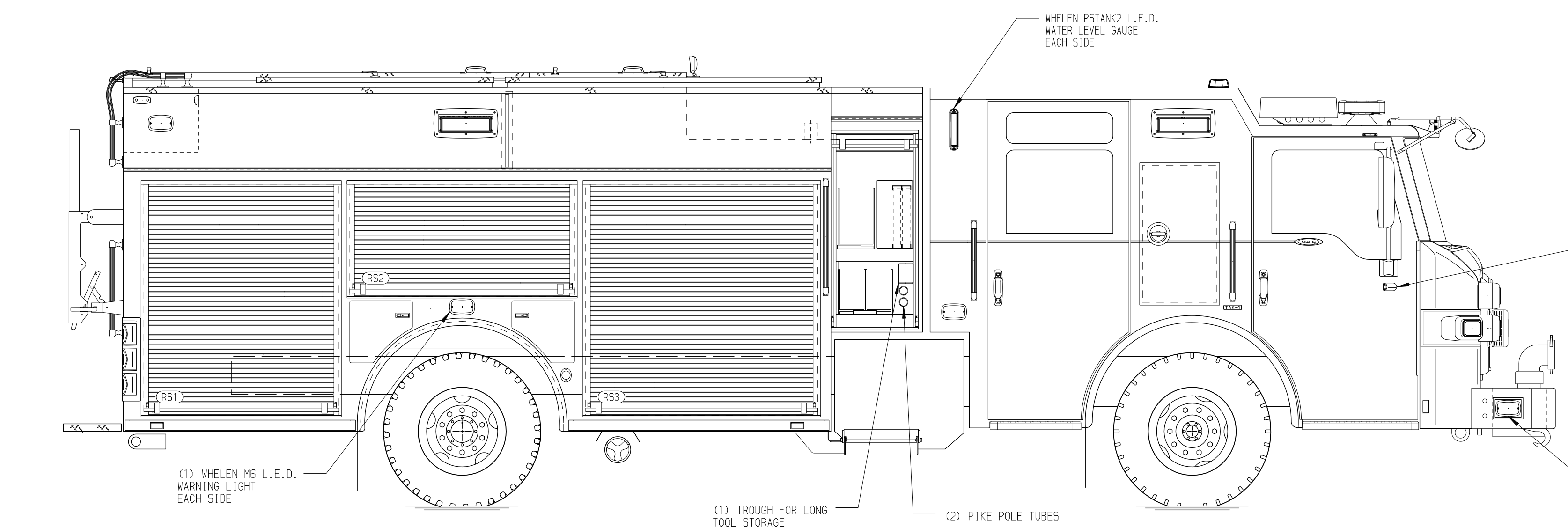
20 Gallon Foam Cell, Not Reduced Water, PUC

Side Roll and Frontal Impact Protection

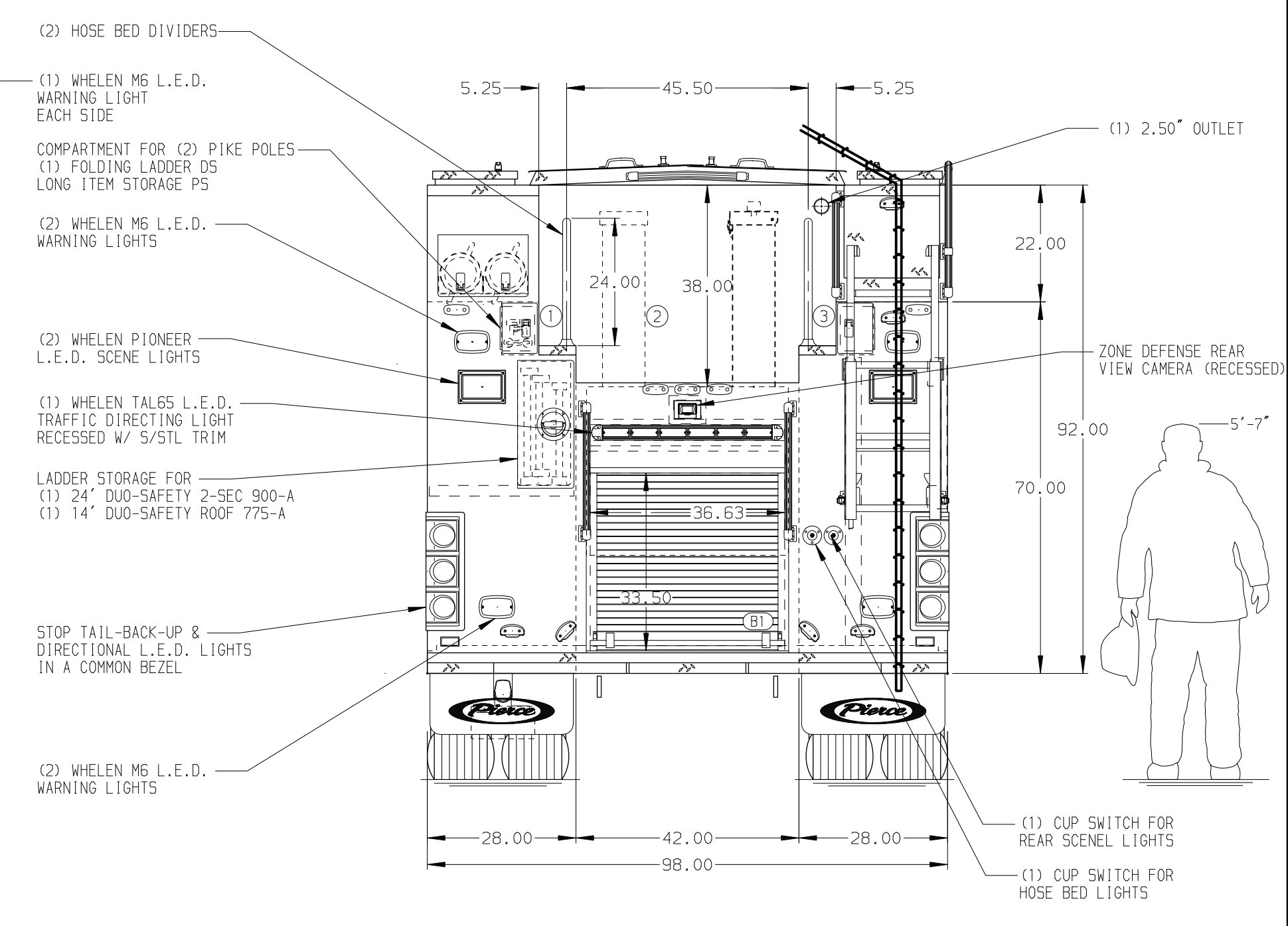
### NOTE

DIMENSIONS SHOWN ARE APPROXIMATE AND ARE SUBJECT TO MINOR DEVIATIONS AS MAY OCCUR OR BE NECESSARY IN CONSTRUCTION. MINOR DETAILS NOT SHOWN.

- ONE 1.50" OUTLET WITH 2.00" PIPING AND SWIVEL LOCATED IN CENTER BUMPER TRAY
- AUTOMATIC TIRE CHAINS
- SHORELINE RECEPTACLE WITH KUSSMAUL SUPER AUTO-EJECT LOCATED ON DRIVER SIDE STEP WELL
- AIR INLET WITH DISCONNECT COUPLING IN THE DRIVER SIDE STEPWELL
- BATTERY CHARGER LOCATED IN CAB PER SHOP ORDER
- BATTERY CHARGE INDICATOR LOCATED NEAR DRIVER SEAT RISER WITH BRACKET
- ELEVEN ADJUSTABLE SHELVES LOCATED PER SHOP ORDER
- TWO FLOOR MOUNTED SLIDE-OUT TRAY LOCATED PER SHOP ORDER
- SIX 120V DUPLEX RECEPTACLES LOCATED PER SHOP ORDER
- ONE SWING-OUT TOOLBOARD LOCATED IN COMPARTMENT PER SHOP ORDER
- PERBOARD ON BACK WALL IN COMPARTMENT PER SHOP ORDER



HOSEBED CAPACITY	
BED 1	200' OF 2.50" D.J. POLY HOSE
BED 2	1000' OF 5.00" D.J. POLY HOSE
BED 3	250' OF 2.50" D.J. POLY HOSE



<b>Pierce MANUFACTURING INC.</b>		JOB NO.	35071
		SCALE	DATE
		1:24	
Pierce PUC Pumper Approval Drawing		DRAWN BY	18MAY20
Larkspur FPD		CHECKED BY	22MAY20
		NPE	
DWG NO. 35071AD		SHEET SIZE	SHEET NO.
		D	1 OF 1

REV	DATE	BY	CH	VELOCITY
06AUG20	MMF	DTS		PIERCE
24JUN20	MMF	DTS		MODEL