

PUMPER BODY

Medium Aluminum 2nd Gen Pumper

CHASSIS

Enforcer Chassis

CHASSIS AXLE, FRONT, CUSTOM

18,000 Lb Dana Axle

AXLE, REAR

27,000 Lb Dana Axle

ENGINE

450 HP Cummins L9 Engine

TRANSMISSION

Allison 5th Gen, 3000 EVS P

BUMPER

Non Extended Stainless Steel

CAB

6010 Enforcer Cab

BODY

WATER TANK

500 Gallon Poly Water Tank

COMPT, PUMPER, REAR

30.75" FF RollUp Rear Compt

COMPT, PUMPER, DRIVER SIDE

152" RollUp Full Height & Depth Front, Full Height Rear FDLER

COMPT, PUMPER PASS. SIDE

152" RollUp Full Height Front & Rear FDLER

FIRE SUPPRESSION PUMPHOUSE

45" Control Zone Top Mount

PUMP

1500 GPM Waterous CSU

CROSSLAYS, 1.50"

1.50" Crosslays Not Required

CROSSLAYS, 2.50"

2.50" Crosslay Not Required

SPEEDLAYS

(2) 1.50" w/ Poly Trays, Standard Capacity Side Outlets

GENERATOR

Generator Not Required

Foam System

Husky 3 Single Agent Foam System

Foam Cell

20 Gallon Foam Cell, Not Reduced Water

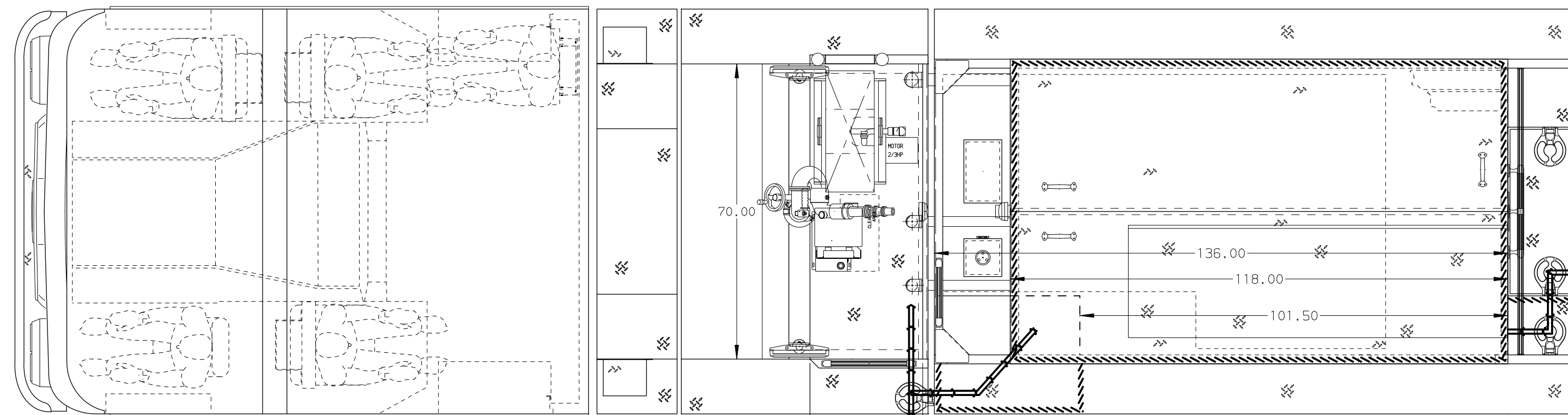
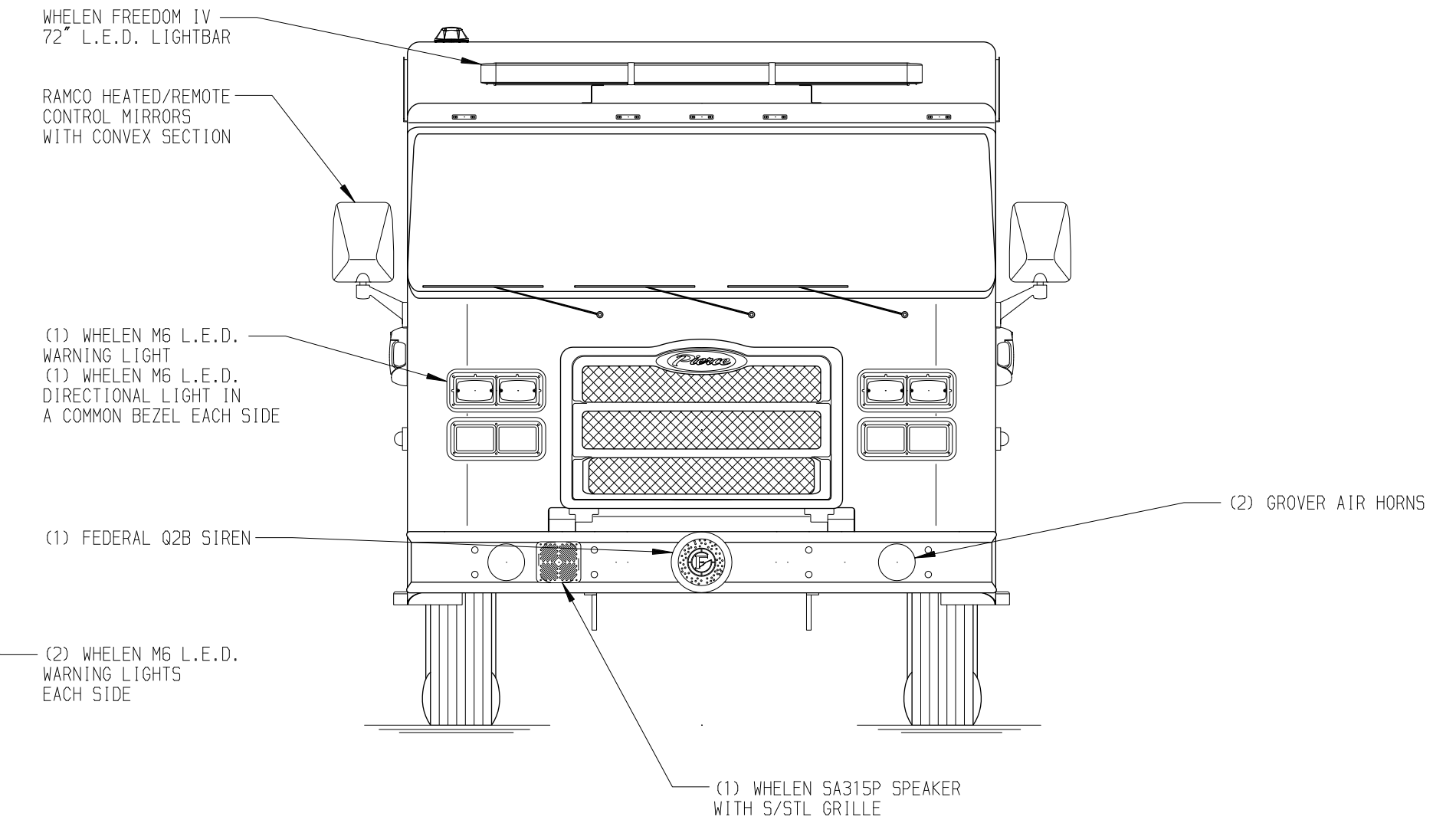
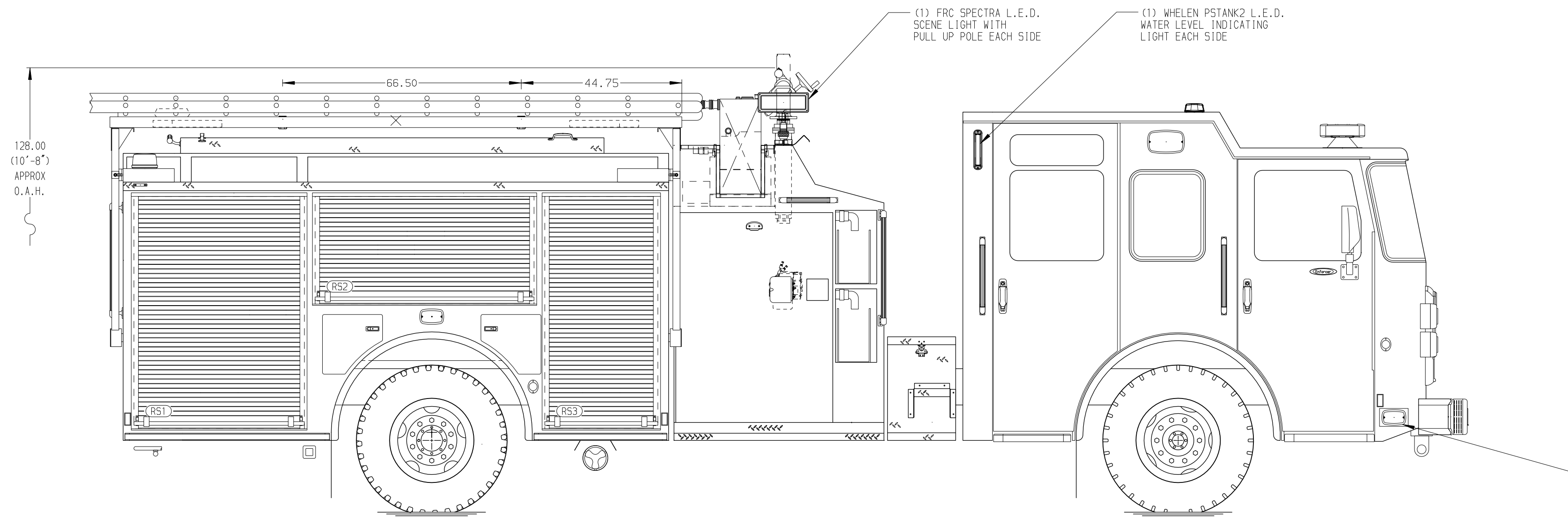
Side Roll and Frontal Impact Protection

NOTE

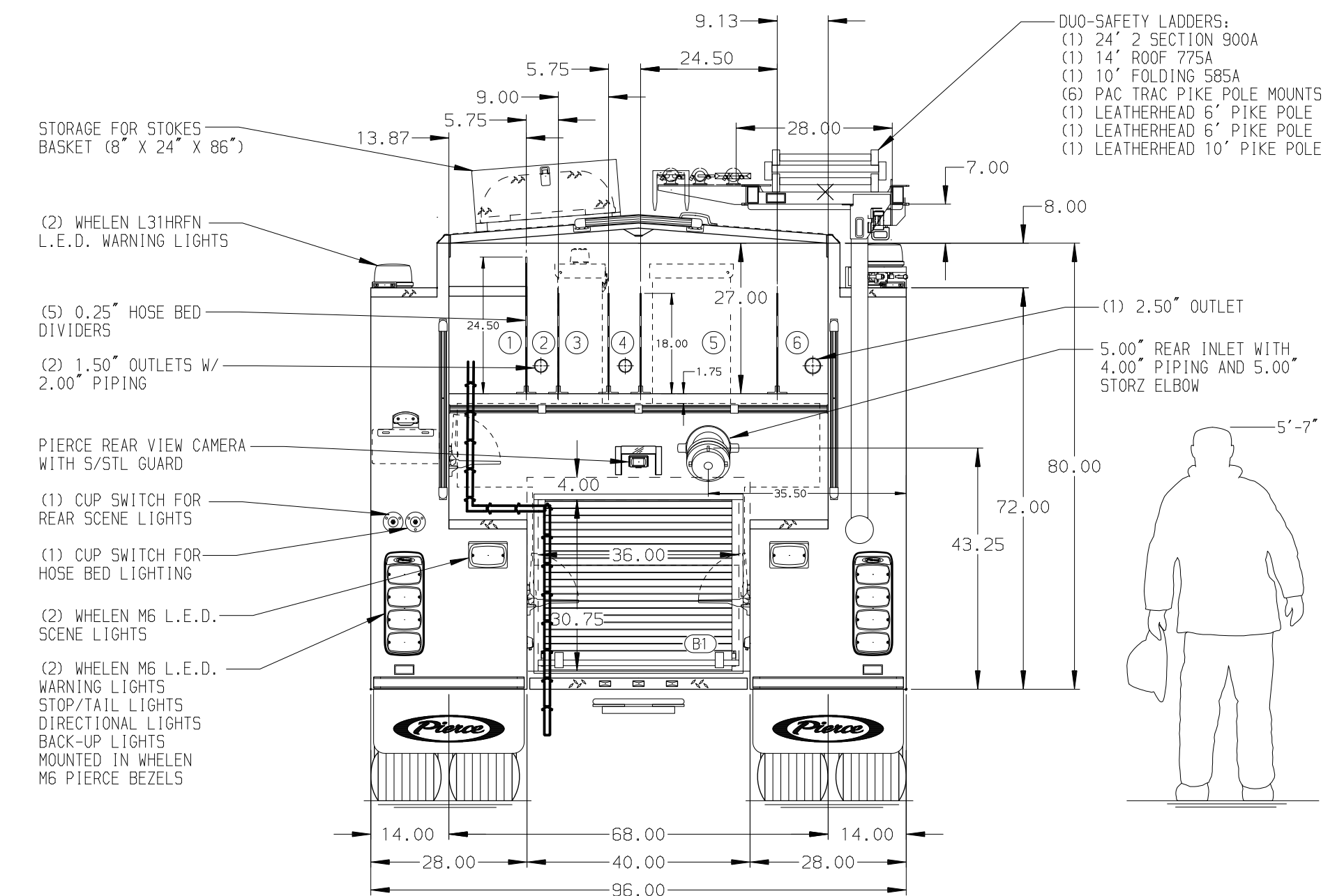
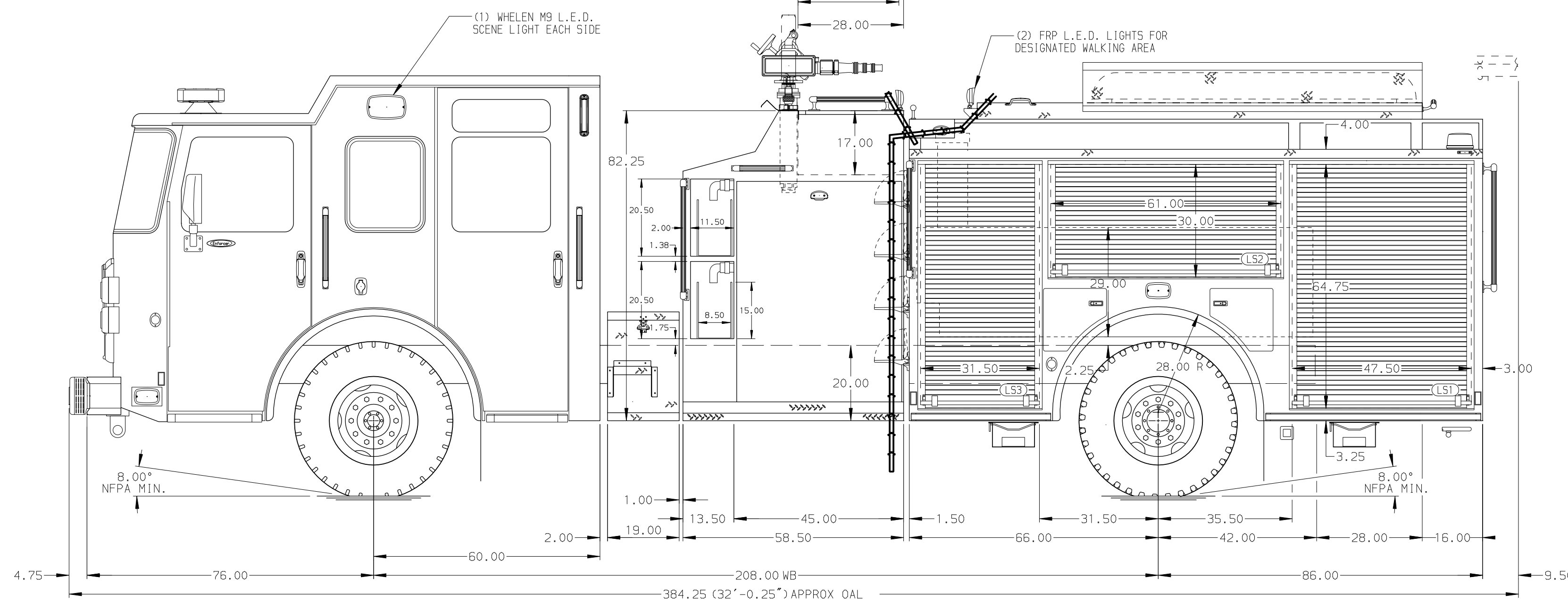
DIMENSIONS SHOWN ARE APPROXIMATE AND ARE SUBJECT TO MINOR DEVIATIONS AS MAY OCCUR OR BE NECESSARY IN CONSTRUCTION. MINOR DETAILS NOT SHOWN.

1. AUTOMATIC TIRE CHAINS
2. SHORELINE RECEPTACLE WITH KUSSMALL SUPER AUTO-EJECT LOCATED ON DRIVER SIDE OF THE CAB
3. AIR INLET WITH DISCONNECT COUPLING IN THE DRIVER SIDE STEPWELL
4. XANTREX INVERTER LOCATED PER SHOP ORDER
5. CIRCUIT BREAKER PANEL LOCATED PER SHOP ORDER
6. SIX ADJUSTABLE SHELVES LOCATED PER SHOP ORDER
7. TWO FLOOR MOUNTED SLIDE-OUT TRAYS LOCATED PER SHOP ORDER
8. ONE SWING-OUT TOOLBOARD LOCATED PER SHOP ORDER
9. ALUMINUM PEGBOARD LOCATED PER SHOP ORDER
10. HANNAY BOOSTER REEL MODEL EF20-30-31 WITH 2/3 HP MOTOR LOCATED IN CARGO AREA FOR 150" OF 1.00" BOOSTER HOSE

11. ONE TILTING/SLIDE-OUT TRAY LOCATED PER SHOP ORDER
12. THREE 120V DUPLEX RECEPTACLES LOCATED PER SHOP ORDER
13. ONE 120V 5-PLICE RECEPTACLE STRIP LOCATED PER SHOP ORDER
14. FEDERAL RUMBLER-3 SPEAKER LOCATED BEHIND BUMPER
15. TWO TOOLBOARDS ADDED TO SLIDE-OUT TRAYS PER SHOP ORDER
16. ONE ANGLED REMOVABLE INSERT IN TRAY PER SHOP ORDER
17. TWO ALUMINUM PEGBOARDS LOCATED TRAYS PER SHOP ORDER
18. ALUMINUM REINFORCEMENT LOCATED ON UPPER REAR TANK WALL OF RS1
19. BATTERY CHARGER LOCATED BEHIND DRIVER'S SEAT
20. BATTERY CHARGE INDICATOR LOCATED ON DRIVER'S SEAT RISER



HOSEBED CAPACITY	
BED 1	600' OF 2.50" D.J. POLY HOSE
BED 2	200' OF 1.75" D.J. POLY HOSE
BED 3	400' OF 2.50" D.J. POLY HOSE
BED 4	200' OF 1.75" D.J. POLY HOSE
BED 5	500' OF 5.00" D.J. POLY HOSE
BED 6	200' OF 2.50" D.J. POLY HOSE



		JOB NO.	35070
		SCALE	DATE
TITLE Pierce Pumper Approval Drawing		DRAWN BY	COL
		CHECKED BY	NPE
FOR Richland Fire and Emergency Service		SHEET SIZE	SHEET NO.
		DWG NO.	35070AD

REV	DATE	BY	CH	ENFORCER
1	19AUG20	COL	DTS	PIERCE
2	30JUN20	COL	AZA	MODEL