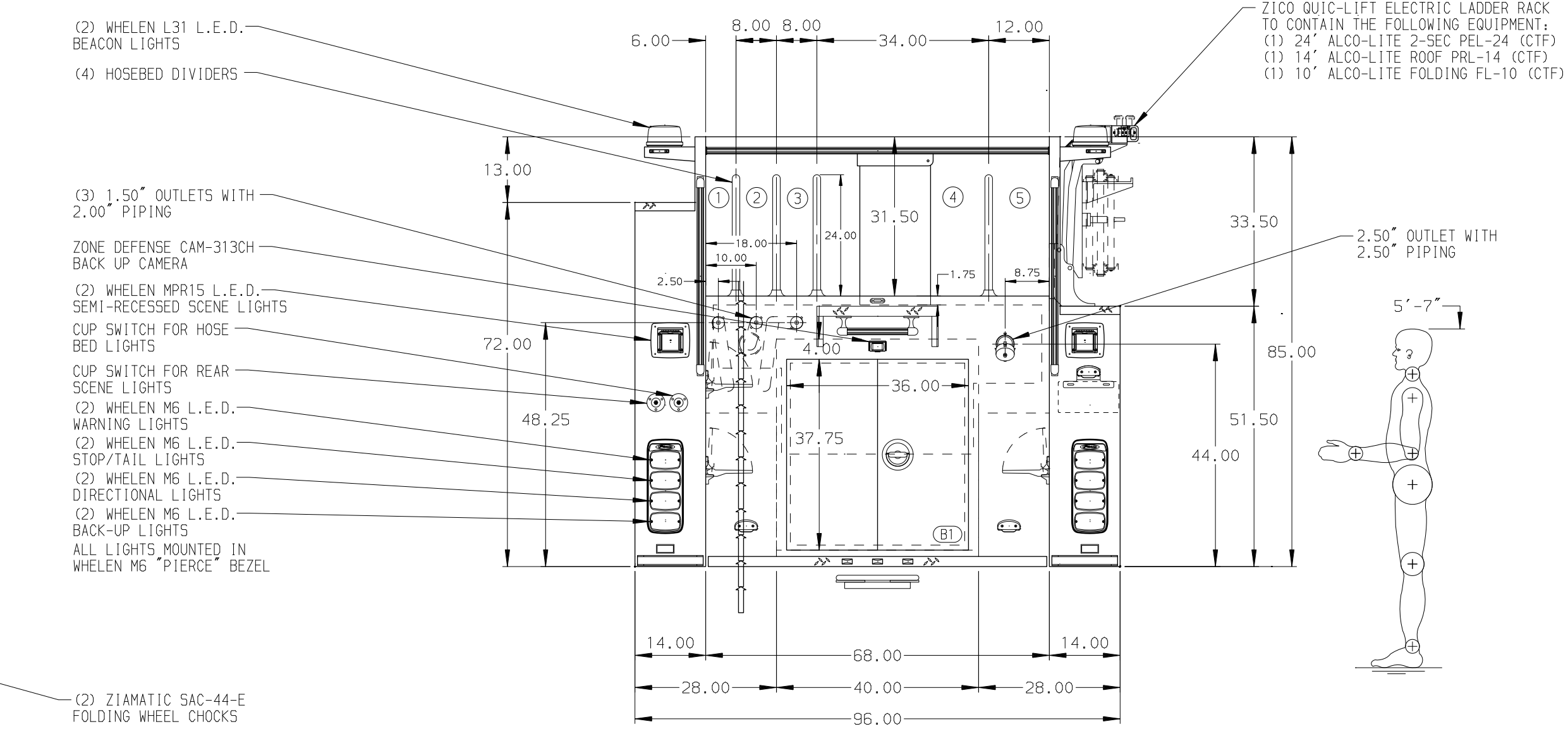
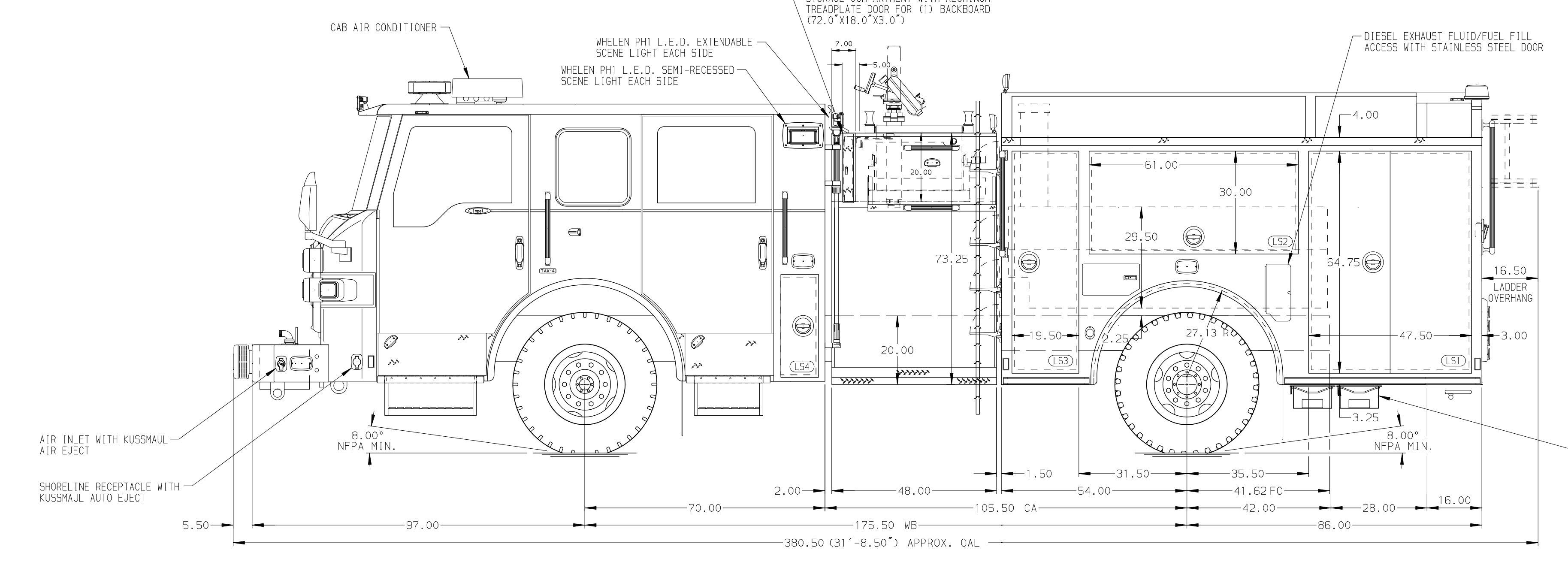


- HOSEBED CAPACITIES**
- ① 150' OF 2.00" D.J. POLY HOSE
 - ② 200' OF 2.00" D.J. POLY HOSE
 - ③ 250' OF 2.00" D.J. POLY HOSE
 - ④ 1000' OF 5.00" D.J. POLY HOSE
 - ⑤ 400' OF 3.00" D.J. POLY HOSE



ALUMINUM BODY

NOTE
DIMENSIONS SHOWN ARE APPROXIMATE AND ARE SUBJECT TO MINOR DEVIATIONS AS MAY OCCUR OR BE NECESSARY IN CONSTRUCTION. MINOR DETAILS NOT SHOWN.

- 1. FOTOKITE CAMERA SYSTEM LOCATED IN COMPARTMENT-TB0
- 2. ONE-SPOT AUTOMATIC TIRE CHAINS TO BE PROVIDED AT REAR
- 3. BATTERY CHARGER LOCATED BEHIND DRIVER SEAT
- 4. BATTERY CHARGER INDICATOR LOCATED ON DRIVER SEAT WITH BRACKET
- 5. ONE FULL WIDTH/DEPTH ADJUSTABLE SHELF WITH SIDES IN COMPARTMENT-LS1,LS2,LS3, RS1,RS3,B1
- 6. PAC TRAC EQUIPMENT MOUNTING SYSTEM ON THE WALLS IN COMPARTMENT-LS1,LS2,LS3
- 7. ONE 120V DUPLEX RECEPTACLE IN CAB

				JOB NO.	35044
				SCALE	DATE
1500-D-500P, 140" PUMPER BODY, DELUGE, BOOSTER REEL ZICO LADDER RACK FAYETTEVILLE FIRE DEPARTMENT FAYETTEVILLE, AR				DRAWN BY	07MAY20
				CHECKED BY	08MAY20
35044AD				SHEET SIZE	SHEET NO.
				D	1 OF 1

CHASSIS DATA	TITLE	1500-D-500P, 140" PUMPER BODY, DELUGE, BOOSTER REEL
MAKE	FOR	FAYETTEVILLE FIRE DEPARTMENT
MODEL	DWG NO.	35044AD
REV	DATE	BY
25AUG20	BKB	JGO
29JUL20	BST	JGO