

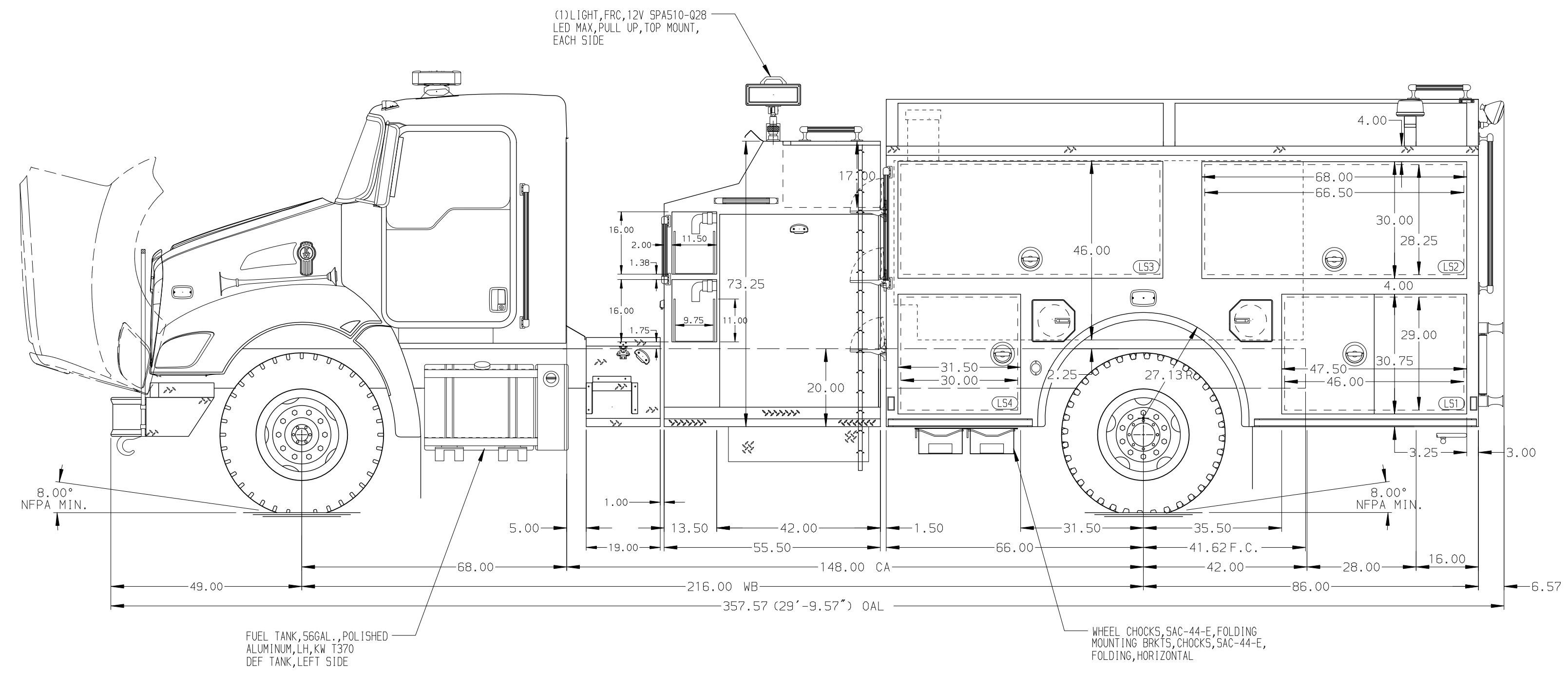
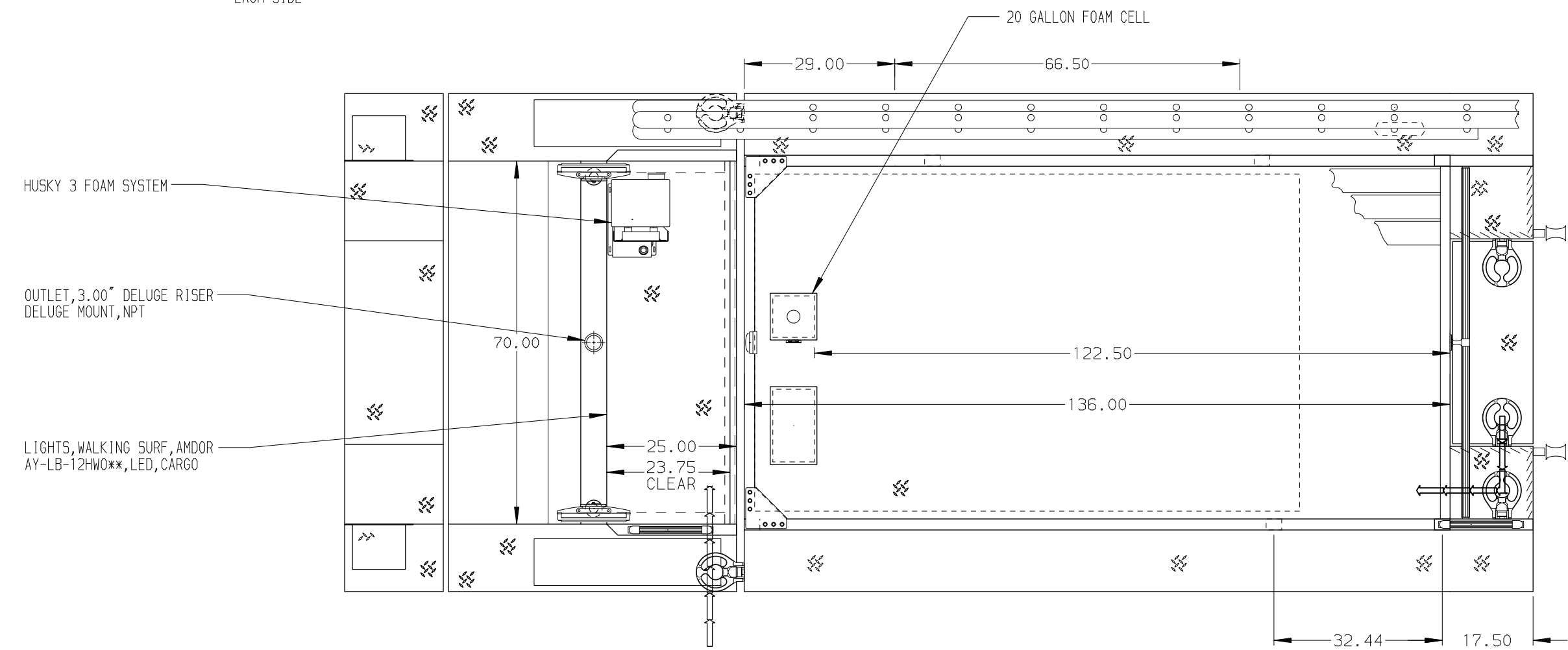
(2) AIR BOTTLE COMPARTMENTS
ROUND OPENING WITH CAST
PRODUCTS DOOR EACH SIDE

BATTERIES RELOCATED BY PIERCE

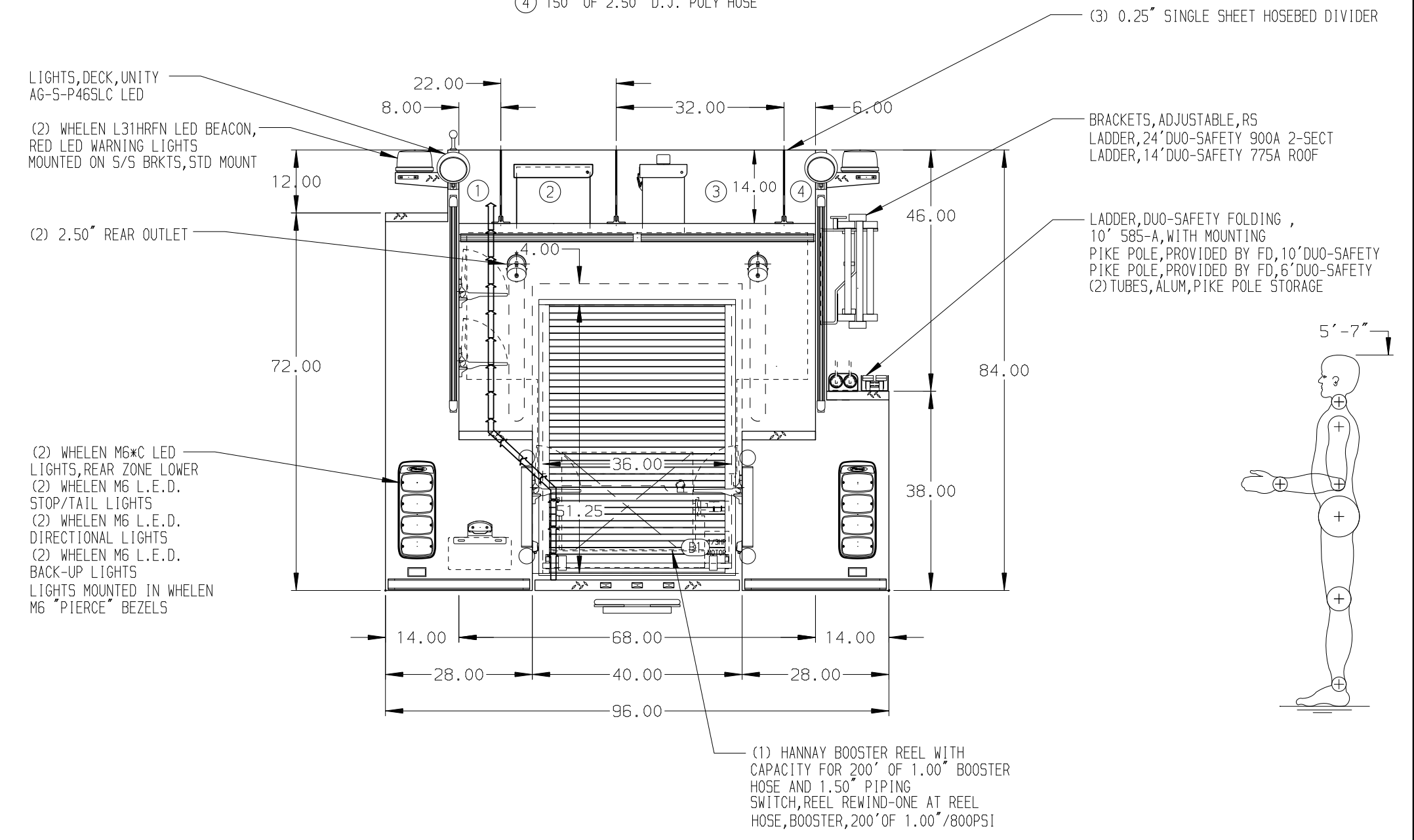
RUNNING BOARD HOSE TRAY, 50FT
SUCTION HOSE, FOR 25' OF 5.00\"/>

STEP PACKAGE, STANDARD,
KW T370/PETIE 530, 2DR,

WINDOW, PEEPER WINDOW, RH DOOR



- HOSEBED CAPACITIES
- ① 300' OF 1.75" D.J. POLY HOSE
 - ② 600' OF 3.00" D.J. POLY HOSE
 - ③ 600' OF 5.00" RUBBER HOSE
 - ④ 150' OF 2.50" D.J. POLY HOSE



ALUMINUM BODY

NOTE
DIMENSIONS SHOWN ARE APPROXIMATE
AND ARE SUBJECT TO MINOR DEVIATIONS
AS MAY OCCUR OR BE NECESSARY IN
CONSTRUCTION.
MINOR DETAILS NOT SHOWN.

REV	DATE	BY	CH	T370
09DEC20	JLA	NAS		MAKE
13OCT20	RHU	NAS		KENWORTH
04AUG20	CRH	RW1		MODEL

		JOB NO.	35021
		SCALE	1:24
TITLE 1250-D-980P, 20G FOAM, 152", LS (2) LIFTUP FULL HGT, FDLER, RS LOW, FDLER, 42" TOP MOUNT, (2) SPEEDLAYS, DELUGE		DATE	
		FOR	MARIANNA FIRE DEPARTMENT, AR MARIANNA, ARKANSAS
DWG NO.		DRAWN BY	CRH
		CHECKED BY	RWI
35021AD		SHEET SIZE	D
		SHEET NO.	1 OF 1