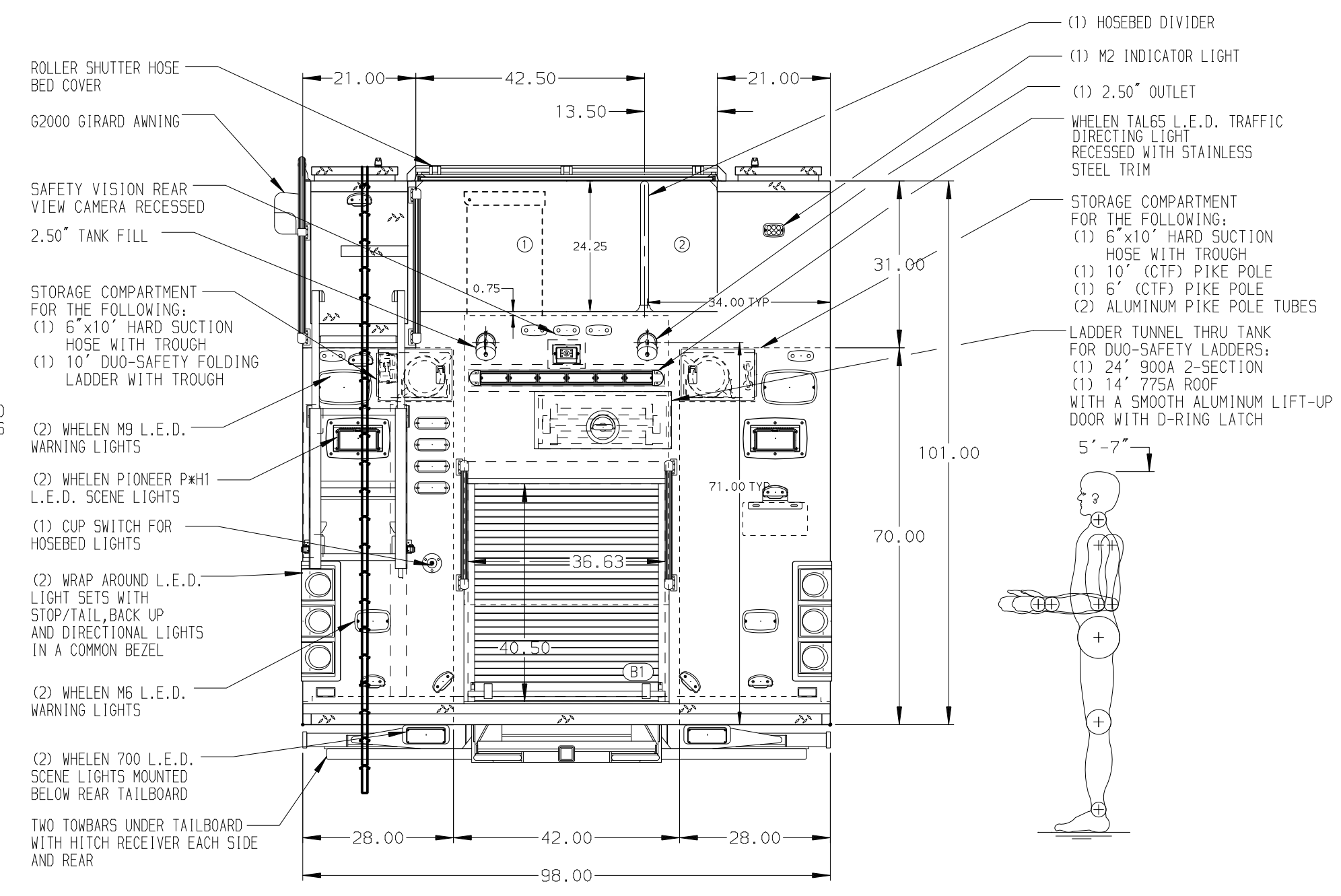
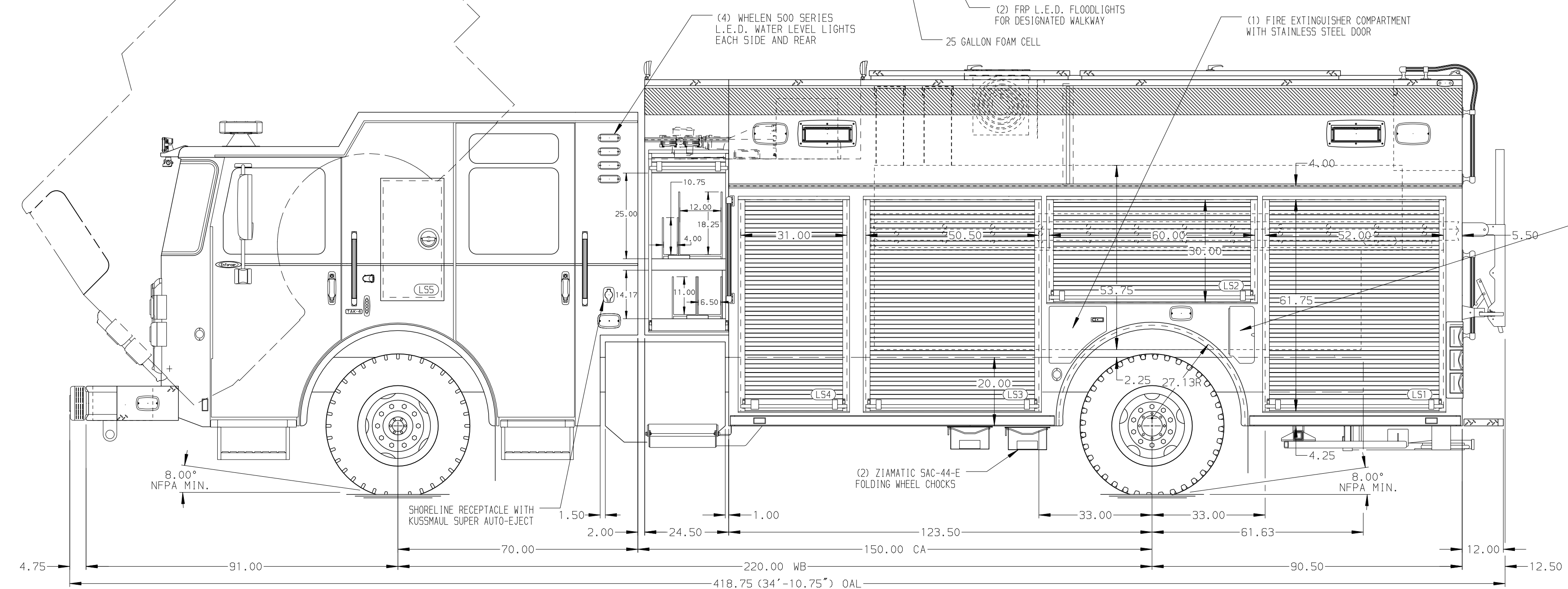


HOSEBED CAPACITIES

① 1000' OF 5.00" D.J. POLY HOSE

② 400' OF 3.00" D.J. POLY HOSE



ALUMINUM BODY

MAXIMUM O.A.H. 131.00"

SIDE ROLL AND FRONTAL IMPACT PROTECTION

NOTE
DIMENSIONS SHOWN ARE APPROXIMATE AND ARE SUBJECT TO MINOR DEVIATIONS AS MAY OCCUR OR BE NECESSARY IN CONSTRUCTION. MINOR DETAILS NOT SHOWN.

- BATTERY CHARGER/AIR COMPRESSOR LOCATED IN COMPARTMENT LS3
- BATTERY CHARGE INDICATOR LOCATED ON DRIVER'S SEAT RISER
- DUAL L.E.D. LIGHT STRIPS LOCATED IN HOSE BED
- PULL STRAP ON DOOR IN COMPARTMENT LS1,LS2,LS3,LS4,RS1,RS2,RS3,RS4 AND CROSSLAY DOORS
- DRIP PAN GUARD FOR ROLL-UP DOOR LOCATED IN COMPARTMENT B1
- ONE FULL WIDTH/DEPTH ADJUSTABLE SHELF IN COMPARTMENT RS3 AND RS4
- CABLE RELEASE LATCH WITH SINGLE HAND OPERATION FOR TRAY IN COMPARTMENT RS2
- ONE ADJUSTABLE TILTING SLIDE-OUT TRAY IN COMPARTMENT LS1,RS1,RS2 AND B1
- ONE FLOOR MOUNTED SLIDE-OUT TRAY IN COMPARTMENT LS1,RS1,RS3 AND B1
- ONE SWING-OUT ALUMINUM TOOL BOARD WITH PEGBOARD IN COMPARTMENT LS2

- LOUVERS IN COMPARTMENT LS2 AND B1
- TWO POLY TOOL BOXES IN COMPARTMENT RS3
- OIL DRY HOPPER ABOVE COMPARTMENT RS4 FOR 250 LBS.
- PARTITION BETWEEN COMPARTMENTS LS1/B1 AND RS1/B1
- ONE VERTICAL PARTITION IN COMPARTMENT LS1,LS3 AND RS4; TWO IN RS1
- CIRCUIT BREAKER PANEL IN COMPARTMENT LS3
- ONE HANNAY ELECTRIC REWIND CORD REEL MODEL 1618-17-18 LOCATED RH2 WITH 200' OF 10/3 CABLE
- 120V DUPLEX RECEPTACLE LOCATED IN COMPARTMENT RS4
- TWO 120V NEMA DUPLEX IN CAB

- ONE 120V NEMA DUPLEX RECEPTACLE LOCATED IN COMPARTMENT LS1,LS3 AND RS1; TWO IN RS4
- ONE ADJUSTABLE SLIDE-OUT TRAY IN COMPARTMENT LS1
- ONE SLIDE-OUT TOOLBOARD WITH PEG BOARD IN COMPARTMENT LS1 AND RS1; TWO IN LS3

REV	DATE	BY	CH	ENFORCER
24AUG20	LME	LPA		
31JUL20	LME	LPA		
25JUN20	LME	LPA		

		JOB NO.	35012
		SCALE	1:24
TITLE 1500-D-1000P, 975 WATER W25 FOAM CELL, 214" PUC BODY (3)CROSSLAYS, DELUGE, LADDER TUNNEL, HUSKY 12	FOR DECATUR FIRE DEPARTMENT DECATUR, INDIANA	DRAWN BY	LME
		CHECKED BY	KOU
DWG NO. 35012AD	DATE 20APR20	SHEET SIZE	D
		SHEET NO.	1 OF 1