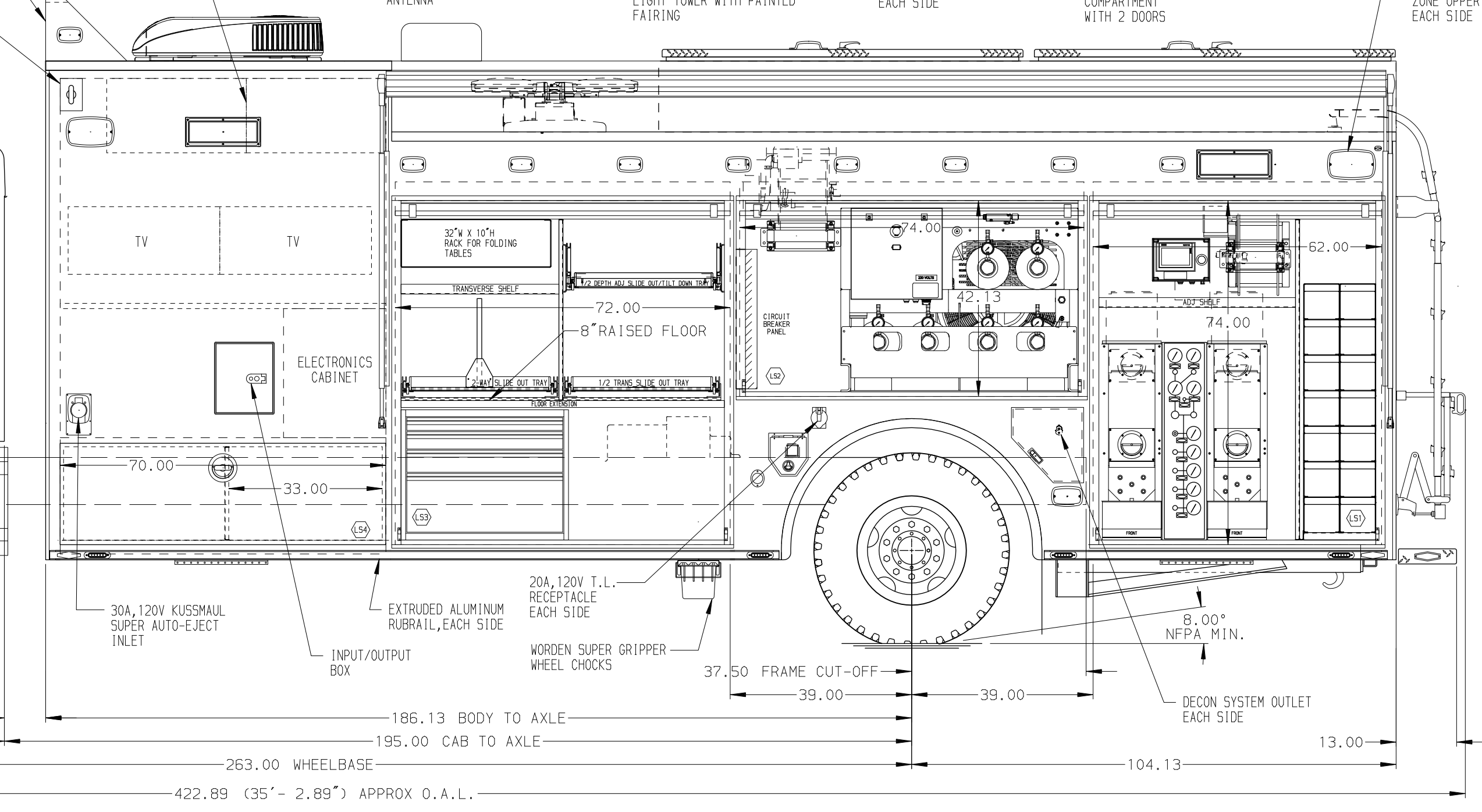
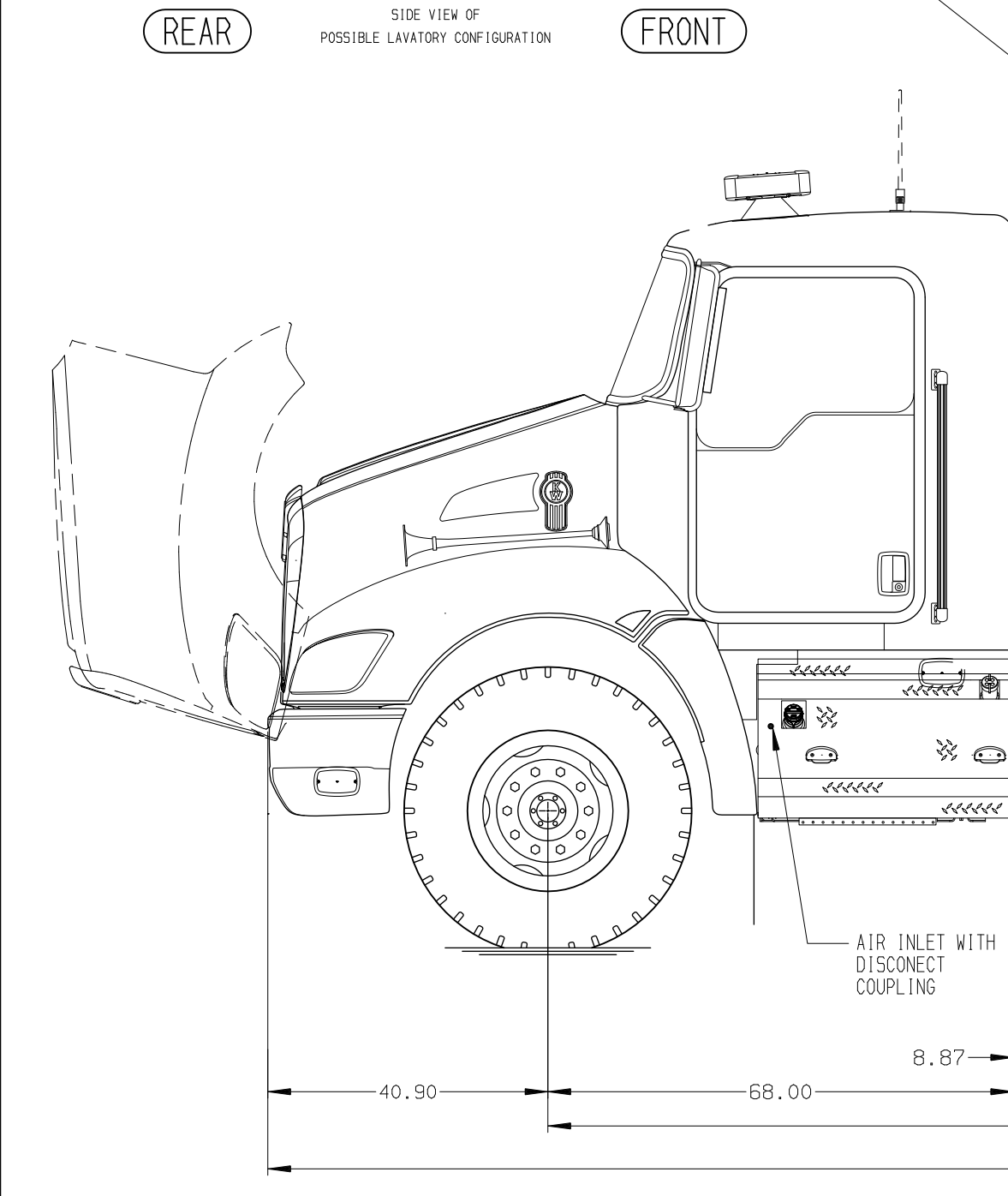
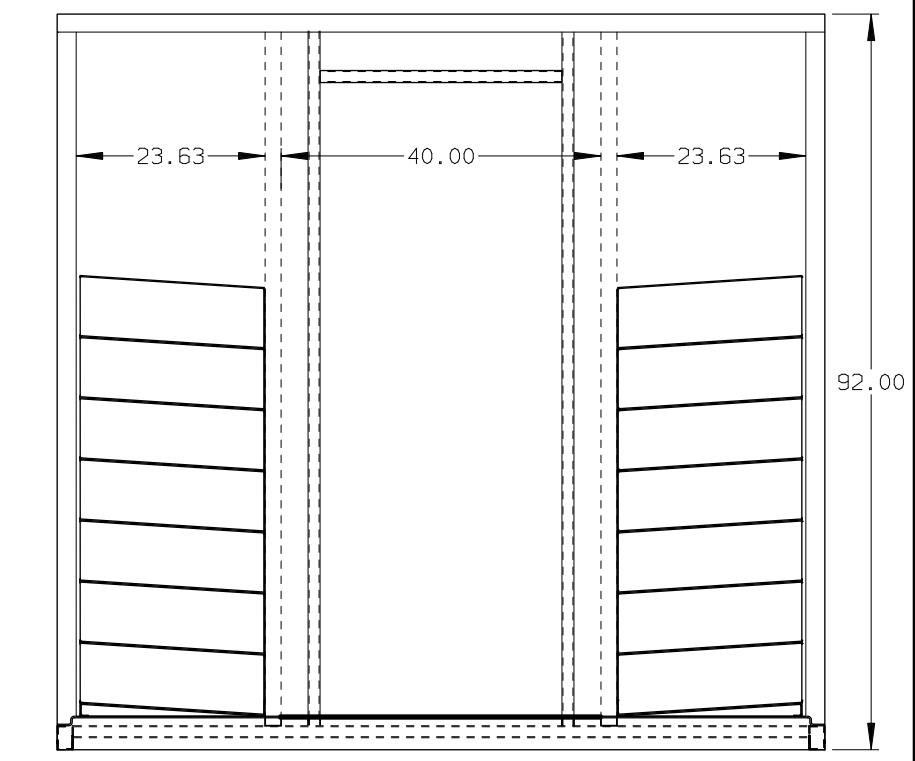
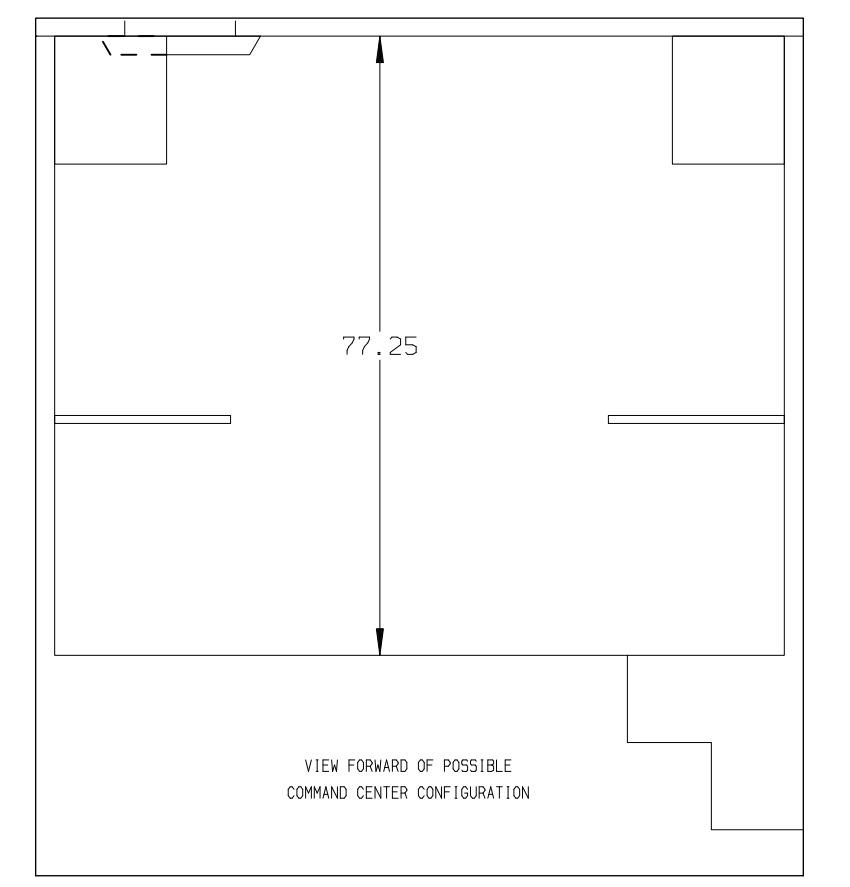
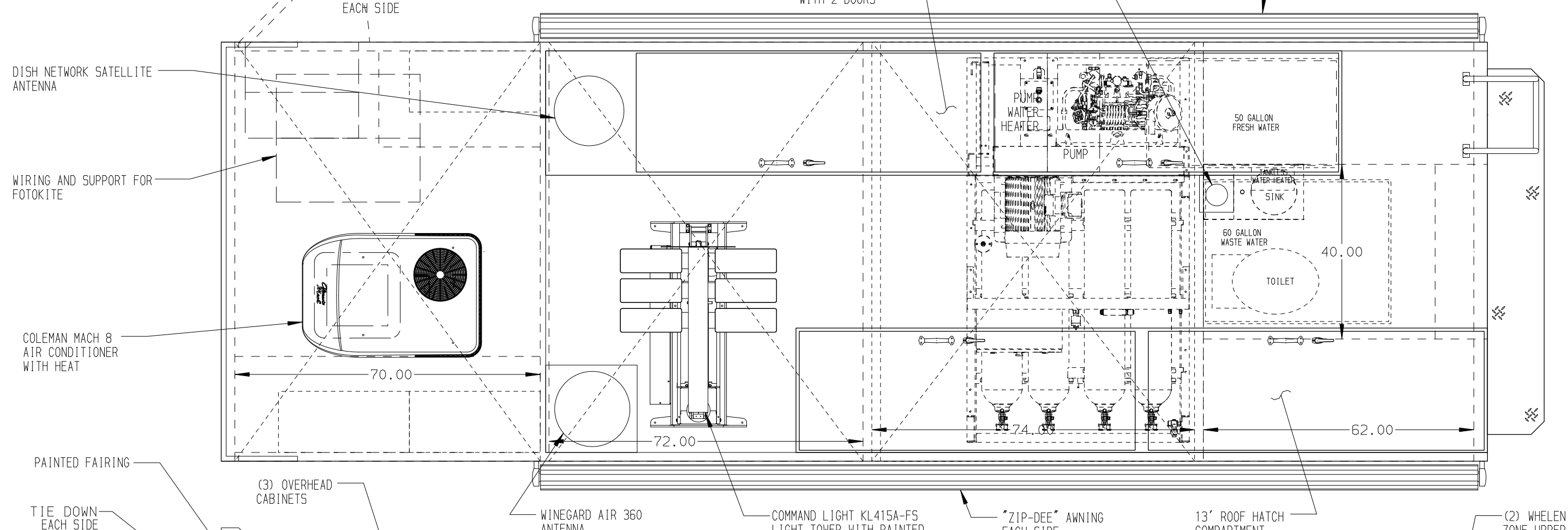
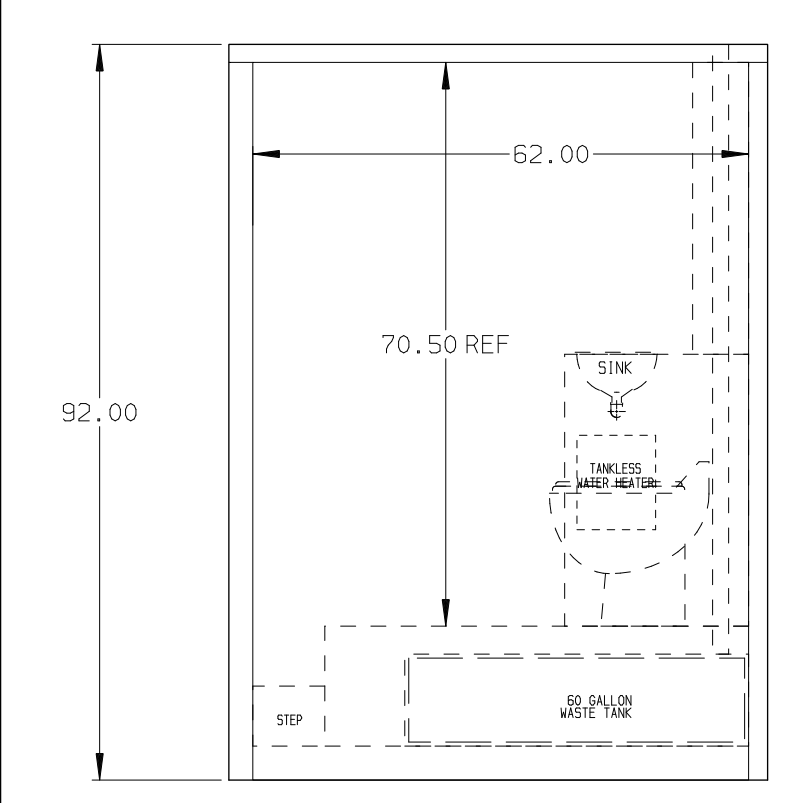
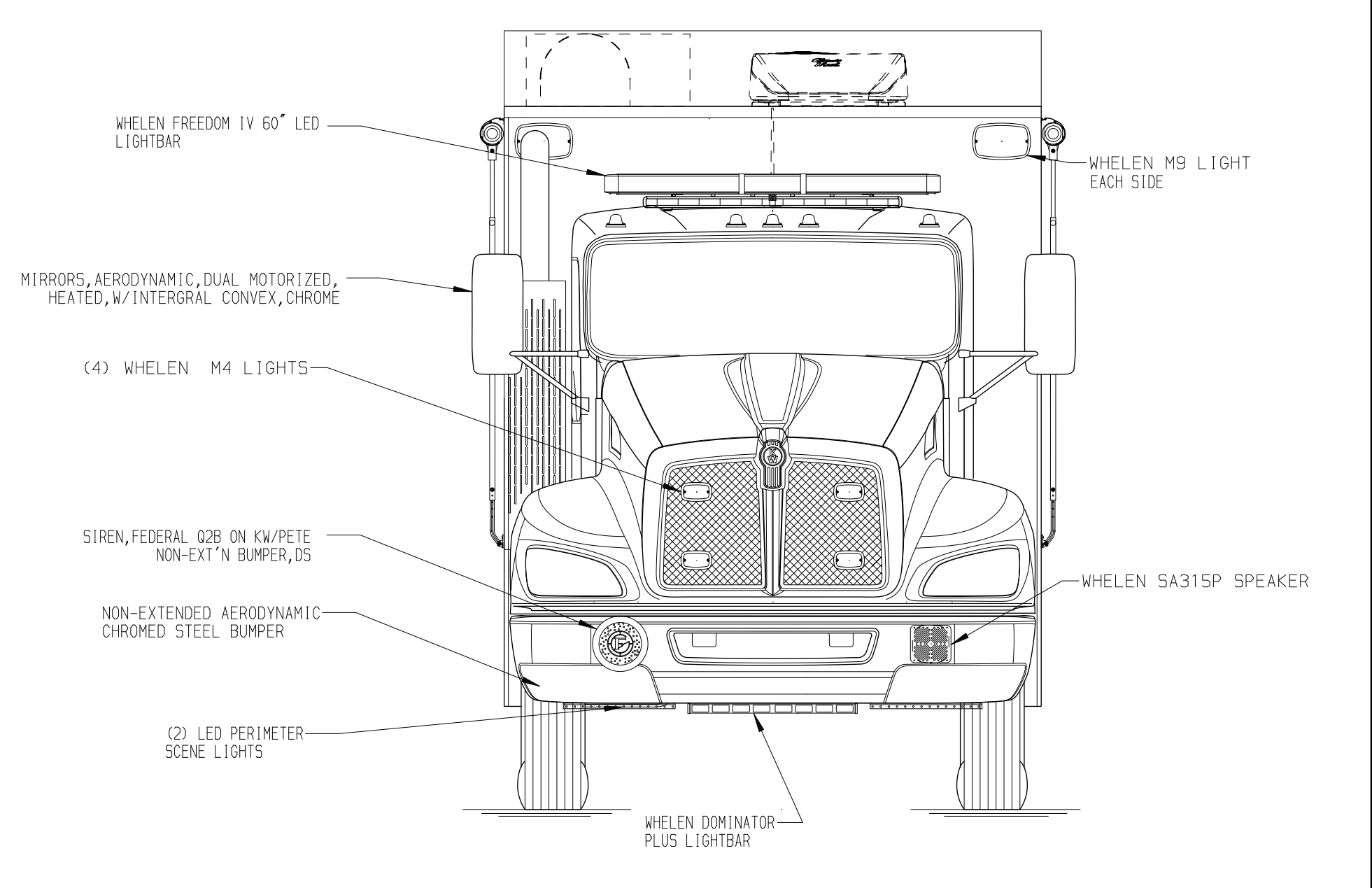
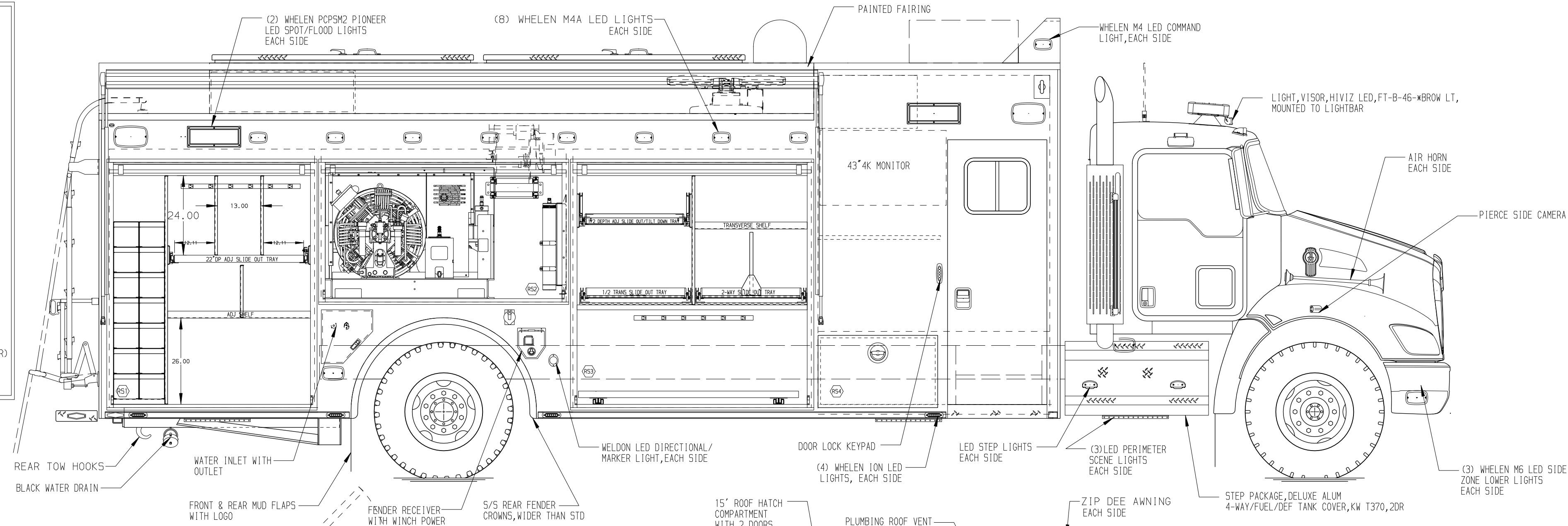
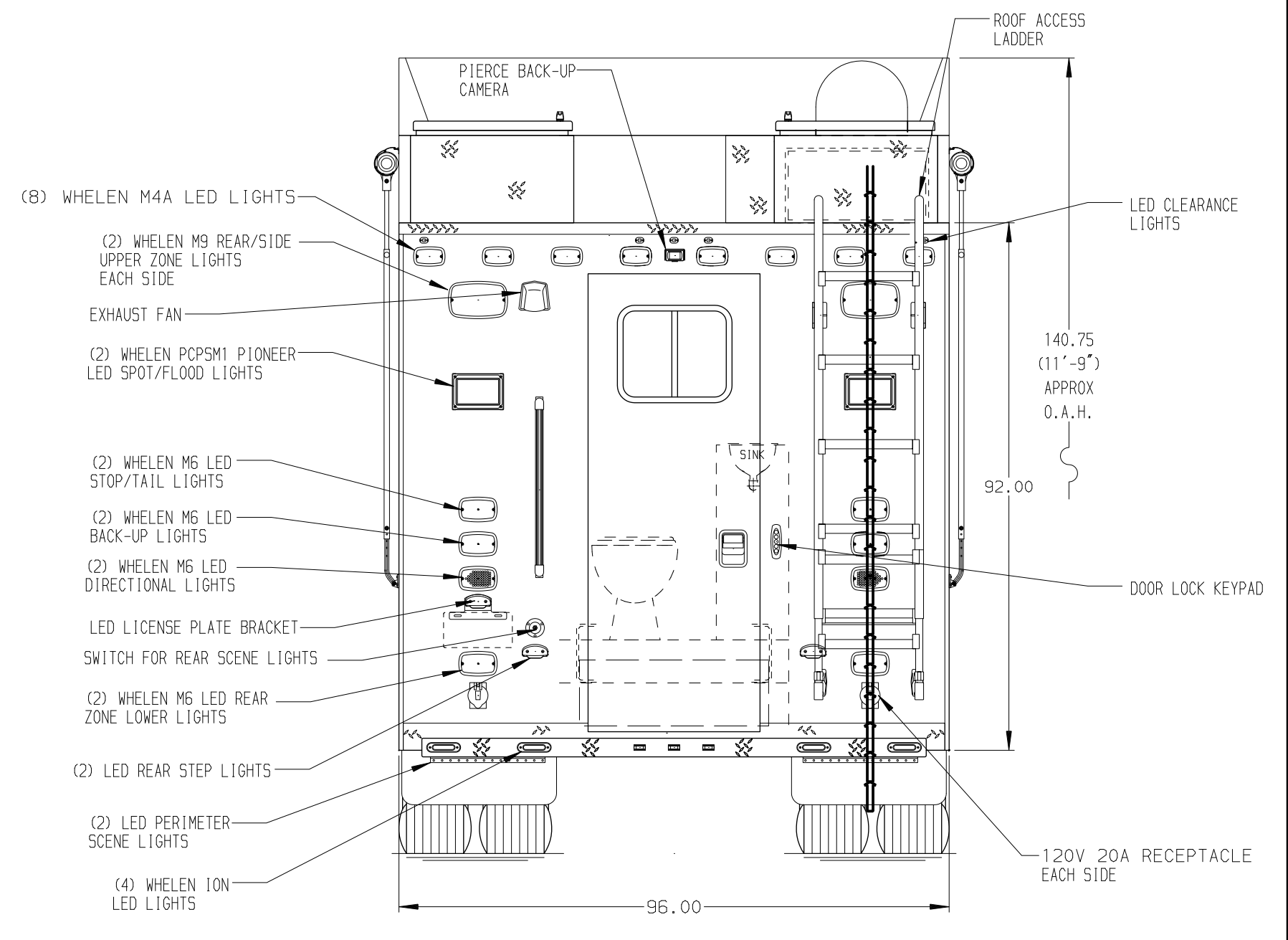


- PASSENGER'S SIDE COMPARTMENTS CONTAIN THE FOLLOWING:**
- COMPARTMENT R51 CONTAINS:
 - (1) VERTICAL DIVIDER ON SHELF
 - (3) VERTICAL DIVIDERS
 - (1) 20A, 120V 6-PLACE RECEPTACLE
 - (1) RACK FOR 14 SCBA BOTTLES 2K X 7H
 - (1) ADJUSTABLE SHELF
 - (1) 500# ADJ SLIDE OUT TRAY
 - COMPARTMENT R52 CONTAINS:
 - (1) BAUER AIR COMPRESSOR
 - (1) ELECTRIC CORD REEL WITH 200' 10/3 YELLOW CORD
 - COMPARTMENT R53 CONTAINS:
 - (1) TRANSVERSE VERTICAL DIVIDER
 - (1) HORIZONTAL FLOOR EXTENSION
 - (1) TRANSVERSE ADJUSTABLE SHELF
 - (1) 2-WAY ADJ TRAY WITH TOOLBOARD
 - (1) 1/2 TRANS FLOOR MOUNTED TRAY
 - (1) FLOOR MOUNTED SLIDE OUT TRAY
 - (1) 20A, 120V 6-PLACE RECEPTACLE
 - (1) 1/2 DEPTH ADJ SLIDE OUT/TILT TRAY
 - COMPARTMENT R54 CONTAINS: (SLIDE OUT DRAWER)
 - SLIDE OUT COMPARTMENT FOR BATTERIES

- REAR LAVATORY COMPARTMENT CONTAINS THE FOLLOWING:**
- (1) 100 CFM EXHAUST FAN
 - (1) 12V 3.5 GPM WATER PUMP
 - (1) EEMAX TANKLESS WATER HEATER
 - (1) ARIA DELUXE 11 TOILET
 - (1) STAINLESS STEEL SINK
 - (1) 40 GALLON FRESH WATER TANK
 - (1) 60 GALLON WASTE WATER TANK



- DRIVER'S SIDE COMPARTMENTS CONTAIN THE FOLLOWING:**
- COMPARTMENT L51 CONTAINS:
 - (1) RACK FOR 14 SCBA BOTTLES, 2W X 7H
 - (1) ADJUSTABLE SHELF
 - (1) BREATHING AIR REEL WITH 300' OF HOSE
 - (1) CASCADE SYSTEM CONTROL PANEL
 - (2) SPACESAVER 2-BOTTLE FILL ENCLOSURES
 - COMPARTMENT L52 CONTAINS:
 - (3) 6000 UN AIR STORAGE BOTTLES
 - (1) BREATHING AIR COMPRESSOR CONTROLLER
 - (1) BREATHING AIR PURIFIERS
 - (1) CIRCUIT BREAKER PANEL
 - (1) GENERATOR METER PANEL
 - (1) NIGHT SCAN CONTROLLER
 - (1) SUB FEED BOX
 - (1) ELECTRIC CORD REEL WITH 200' OF 10/3 YELLOW CORD
 - COMPARTMENT L53 CONTAINS:
 - (1) TRANSVERSE VERTICAL DIVIDER
 - (1) HORIZONTAL FLOOR EXTENSION
 - (1) TRANSVERSE ADJUSTABLE SHELF
 - (1) 4-DRAWER CIECH CABINET
 - (1) SHELF FOR TOOL AIR COMPRESSOR
 - (1) 2-WAY ADJ TRAY WITH TOOLBOARD
 - (1) 1/2 TRANS FLOOR MOUNTED TRAY
 - (1) 1/2 DEPTH ADJ SLIDE OUT/TILT TRAY
 - COMPARTMENT L54 CONTAINS: (SLIDE OUT DRAWER)
 - (1) VERTICAL COMPARTMENT DIVIDER
 - (5) POLY TOOL BOXES



NOTE
DIMENSIONS SHOWN ARE APPROXIMATE AND ARE SUBJECT TO MINOR DEVIATIONS AS MAY OCCUR OR BE NECESSARY IN CONSTRUCTION. MINOR DETAILS NOT SHOWN.

- NOTES:**
- ONSPOT AUTOMATIC TIRE CHAINS
 - PIERCE FOTOKITE CAMERA SYSTEM
 - 18\"/>

CLEAR DOOR WIDTH KEY		DATE	BY	CHK	CHASSIS DATA
AMDR ROLL UP DOORS:	-1 7/8"	15JAN21	DHE	CDK	MAKE
CORTITE ROLL UP DOORS:	-2 3/4"	21DEC20	DHE	CDK	FOR
PIERCE DOUBLE LAP DOORS:	-4 1/4"	22OCT20	DHE	CDK	MODEL
PIERCE LIFT-UP LAP DOORS:	-1 1/2"	01SEP20	JSW	CDK	REV
(EX: 60\"/>					

		JOB NO.	35007
		SCALE	DATE
TITLE	ENCORE RESCUE VEHICLE	DRAWN BY	JSW
FOR	70CMD.72.74.62	CHECKED BY	CDK
DWG NO.	SANDY SPRINGS FD	SHEET SIZE	SHEET NO.
			1 OF 1

35007AD