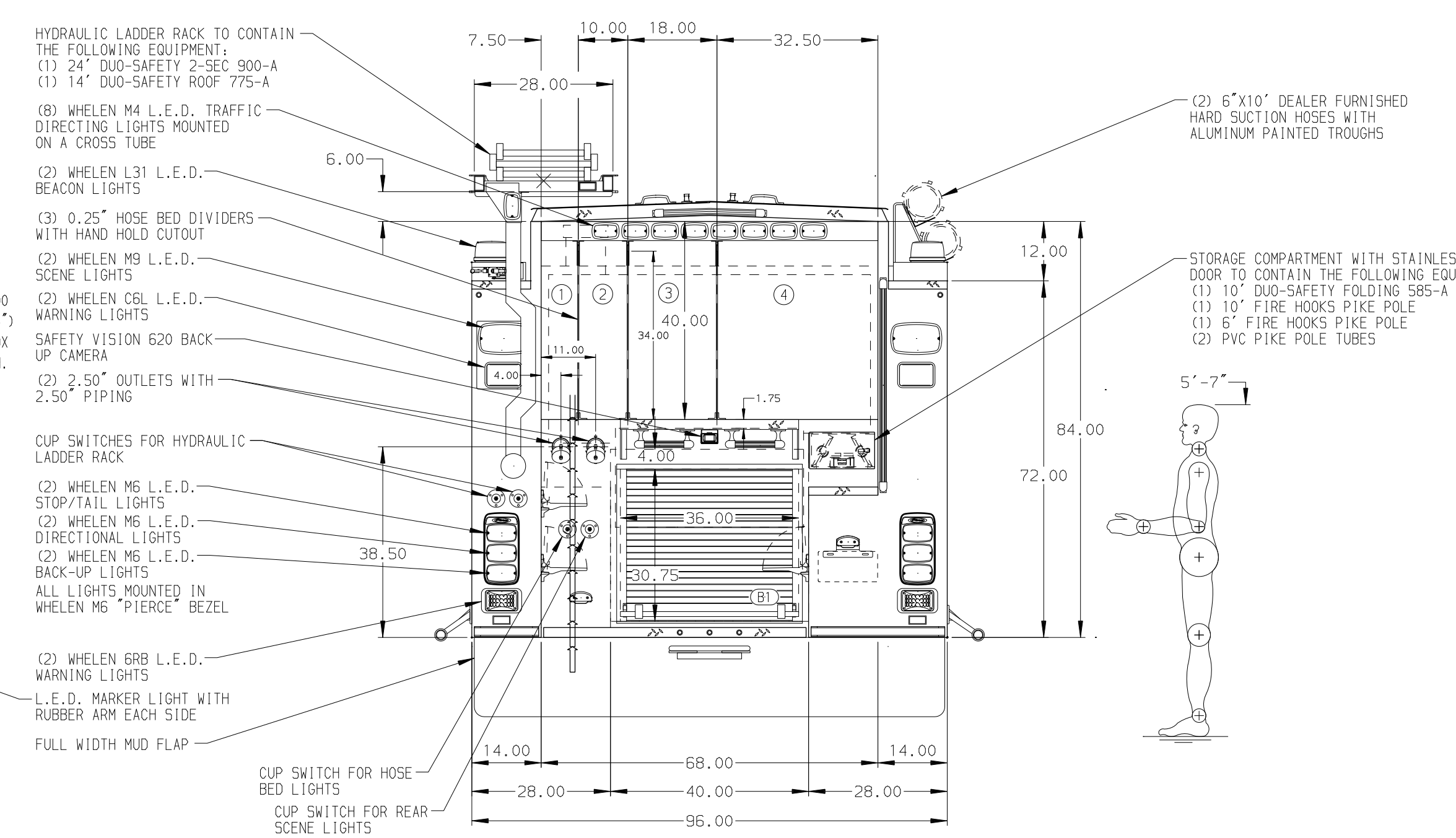
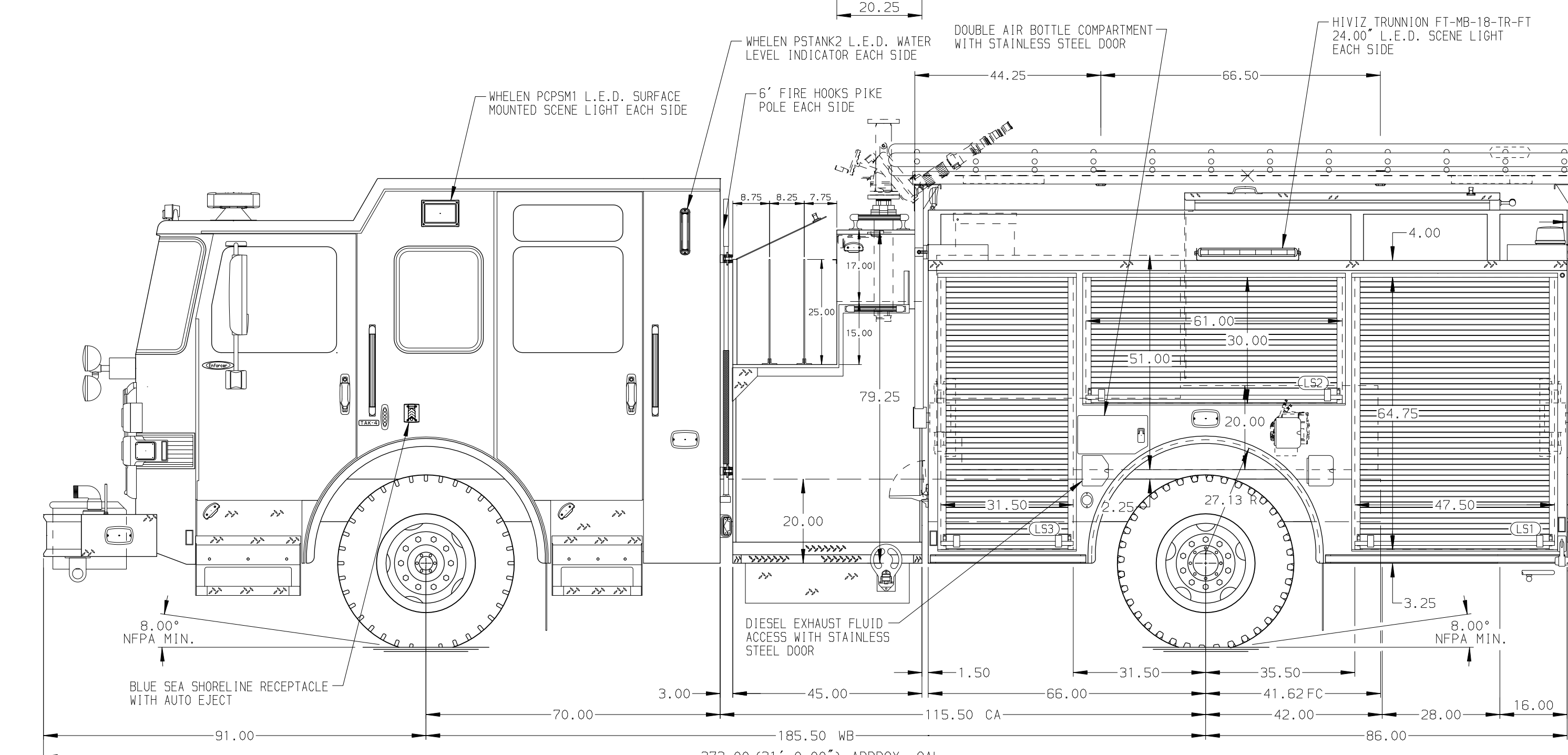


- HOSEBED CAPACITIES
- ① 400' OF 1.75" D.J. POLY HOSE
 - ② 500' OF 2.50" D.J. POLY HOSE
 - ③ 600' OF 3.00" D.J. POLY HOSE
 - ④ 1000' OF 5.00" D.J. POLY HOSE



ALUMINUM BODY SIDE ROLL AND FRONTAL IMPACT PROTECTION

NOTE
DIMENSIONS SHOWN ARE APPROXIMATE AND ARE SUBJECT TO MINOR DEVIATIONS AS MAY OCCUR OR BE NECESSARY IN CONSTRUCTION.
MINOR DETAILS NOT SHOWN.

- 1. ONSHOT TIRE CHAINS PROVIDED AT THE REAR
- 2. AIR INLET/OUTLET WITH DISCONNECT FITTING LOCATED ON LEFT SIDE PUMP PANEL
- 3. VOGEL LUBE SYSTEM LOCATED PER SHOP ORDER
- 4. BATTERY CHARGER LOCATED BEHIND DRIVER SEAT
- 5. BATTERY CHARGER INDICATOR LOCATED ON DRIVER SIDE SEAT RISER
- 6. AMDR 4Y-LB-12HW L.E.D. WALKING SURFACE LIGHTS LOCATED IN THE CARGO AREA
- 7. ONE 120V SIX PLACE RECEPTACLE STRIP IN CAB

		JOB NO.	35005-01-03
		SCALE	DATE
MANUFACTURING INC.		DRAWN BY	BST
TITLE 1500-D-750P, 152" PUMPER BODY, DELUGE, 45" PUMP HOUSE HYDRAULIC LADDER RACK, (3) CROSSLAYS		CHECKED BY	JBL
FOR COUNTY OF HENRICO HENRICO, VA		SHEET SIZE	SHEET NO.
DWG NO. 35005AD-SH1		D	1 OF 2

REV	DATE	BY	CH	ENFORCER
1	11SEP20	LME	JBL	PIERCE
2	05AUG20	BST	JJR	MODEL