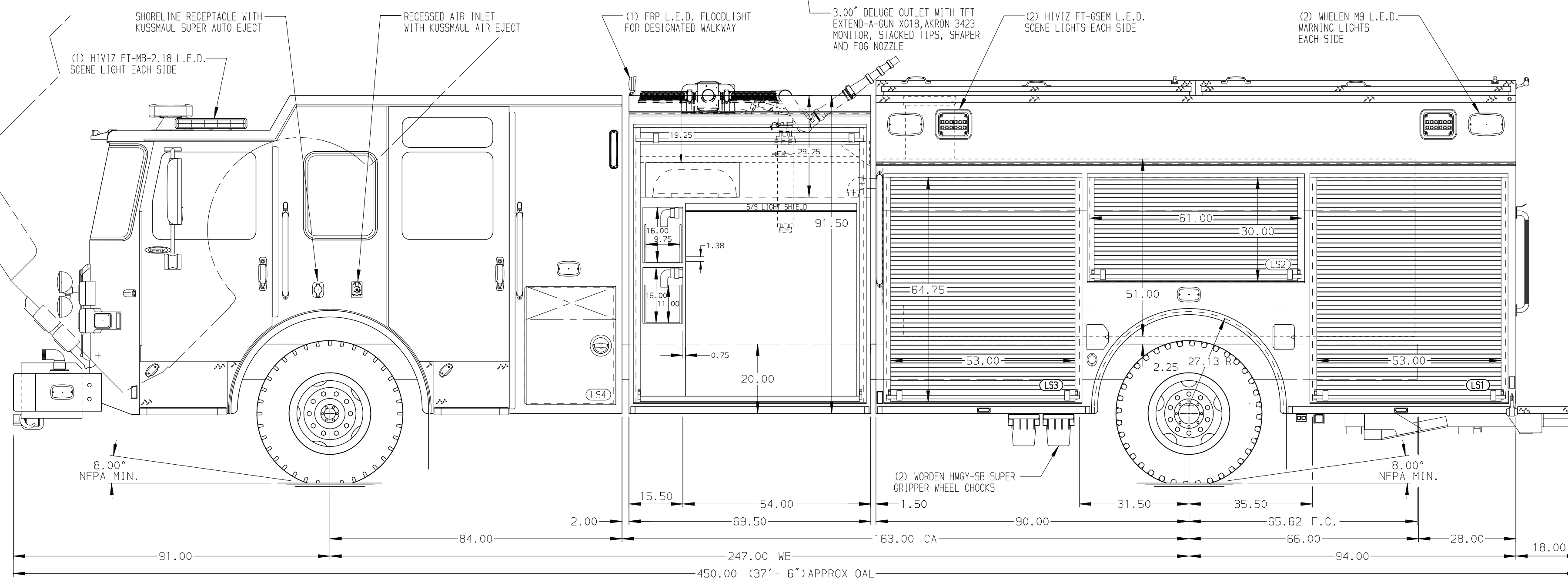
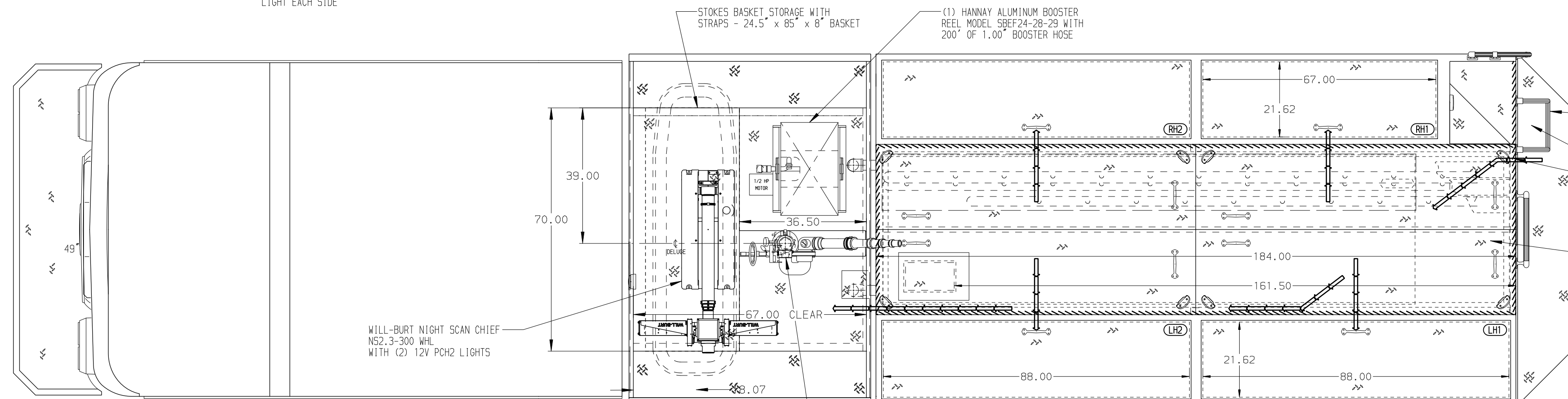
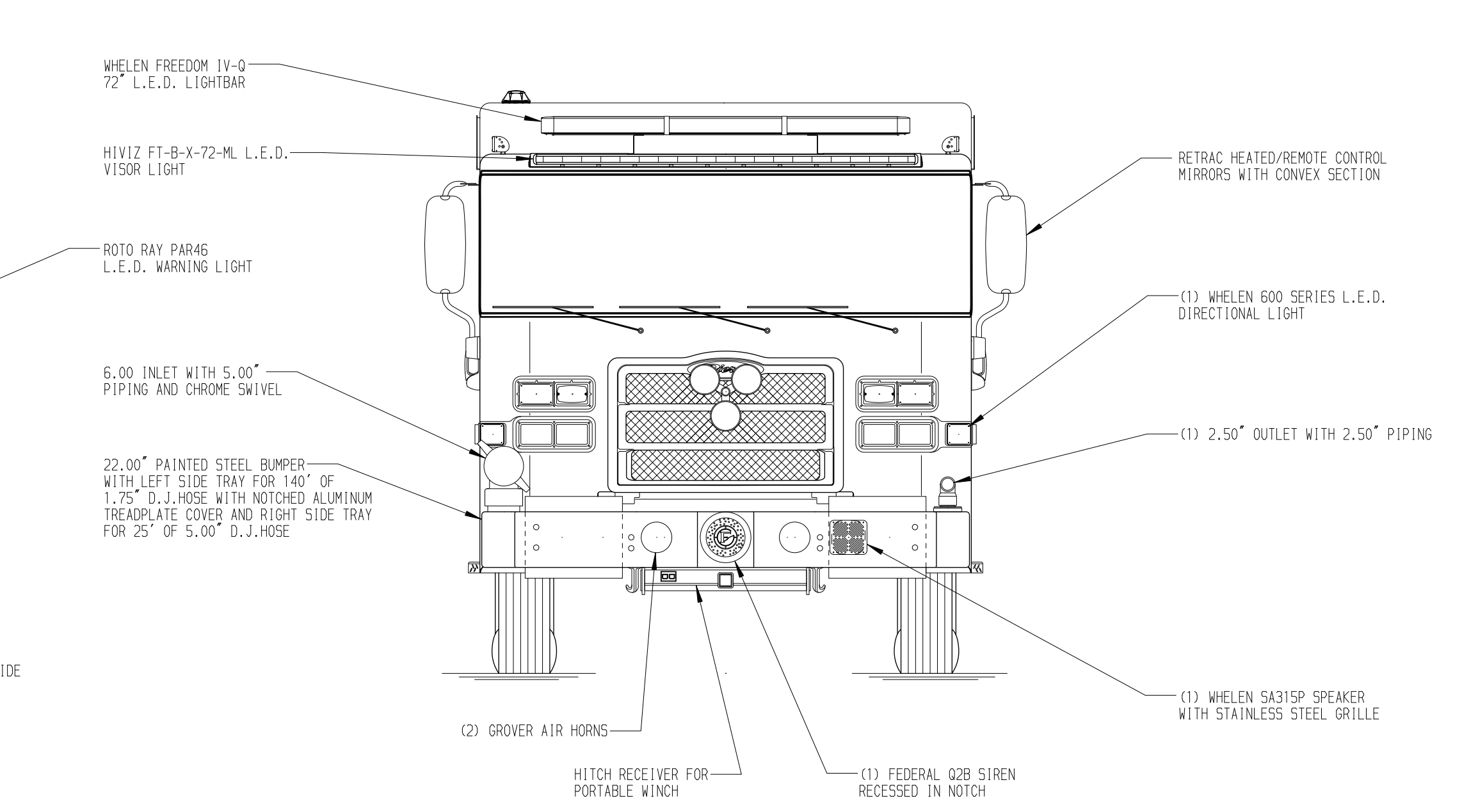
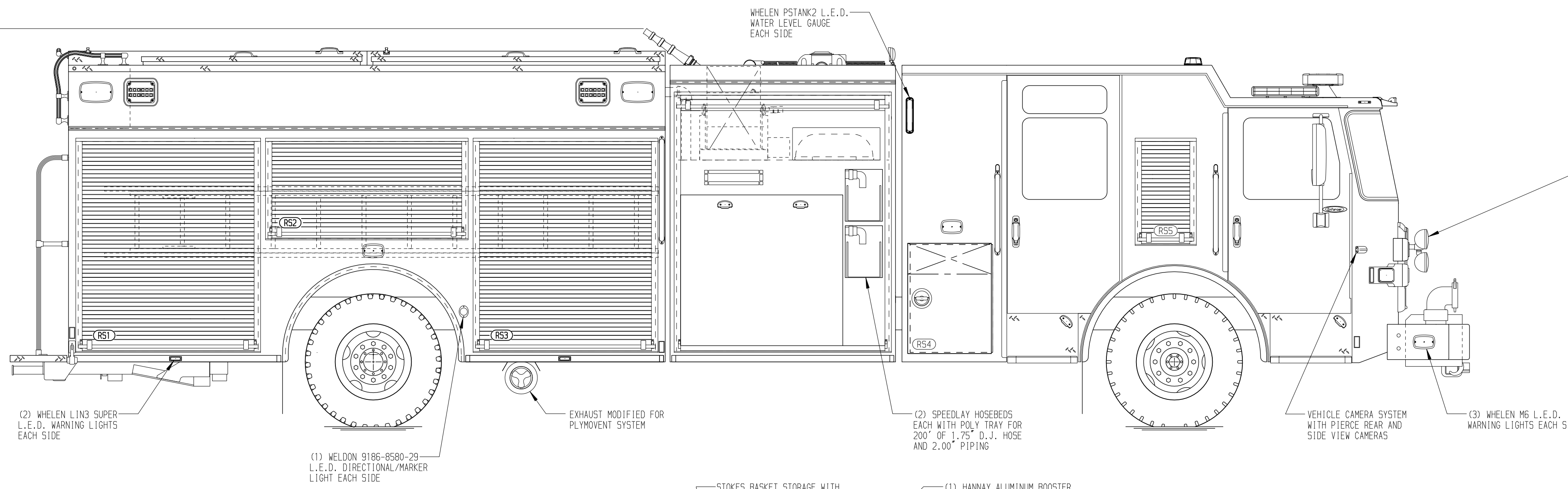


125.00
(10'-5")
APPROX
O.A.H.



HOSEBED CAPACITIES

(1) 750' OF 5.00" DJ HOSE

(2) 300' OF 3.00" DJ HOSE

LADDER STORAGE THROUGH WATER TANK FOR THE FOLLOWING DUO-SAFETY LADDERS:

(1) 24' 2-SECTION 900A

(1) 12' ROOF 775A

(1) 10' FOLDING 585A

ALUMINUM BODY

NOTE

DIMENSIONS SHOWN ARE APPROXIMATE AND ARE SUBJECT TO MINOR DEVIATIONS AS MAY OCCUR OR BE NECESSARY IN CONSTRUCTION. MINOR DETAILS NOT SHOWN.

- AIR OUTLET WITH SHUT-OFF VALVE LOCATED AT EACH SIDE PUMP PANEL
- BATTERY CHARGE INDICATOR LOCATED ON DRIVER'S SEAT RISER
- BATTERY CHARGER LOCATED BEHIND DRIVER'S SEAT
- DUAL L.E.D. LIGHT STRIPS LOCATED IN HOSE BED
- DRIP PAN GUARD FOR ROLL-UP DOOR IN EACH PUMP PANEL ENCLOSURE
- PULL STRAP FOR ROLL-UP DOOR IN EACH PUMP PANEL ENCLOSURE
- AKRON EDUCTOR SINGLE AGENT FOAM SYSTEM

		JOB NO.	35001		
		SCALE	DATE		
CHASSIS DATA MAKE MODEL ENFORCER	TITLE	1500-D-1000 GAL WATER, 184" HDRP BODY, SIDE CONTROL SPEEDLAYS, DELUGE, LADDERS THRU TANK, BOOSTER REEL	DRAWN BY	JRO	28APR20
	FOR	EDINBORO VOLUNTEER FIRE DEPARTMENT EDINBORO, PENNSYLVANIA	CHECKED BY	CDU	28APR20
	DWG NO.	35001AD-SH1	SHEET SIZE	D	SHEET NO.

02NOV20	SAM	DTS	
29JUL20	BKB	DTS	
17JUN20	SAM	DTS	
01MAY20	JRO	CDU	
REV	DATE	BY	CH