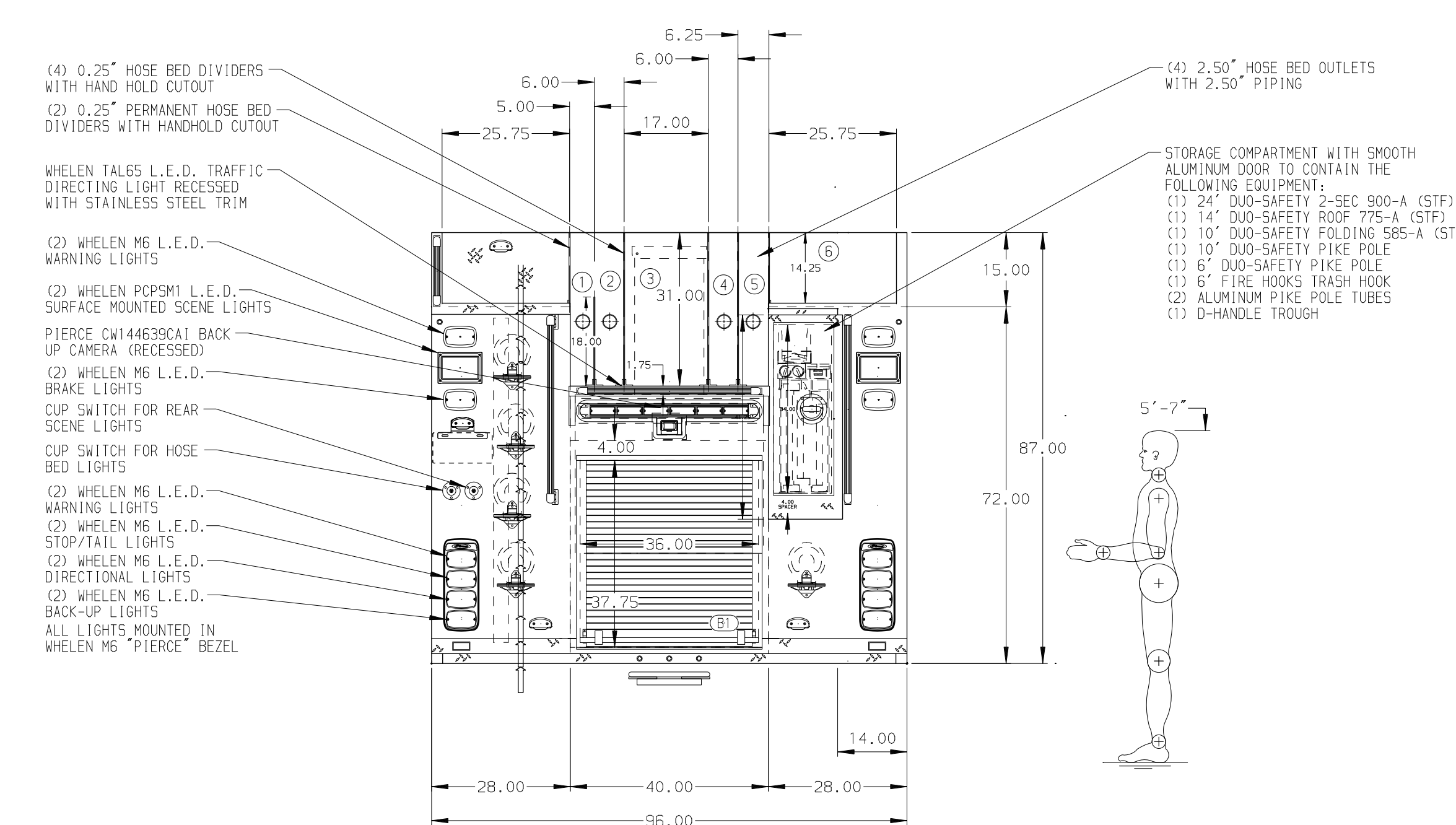
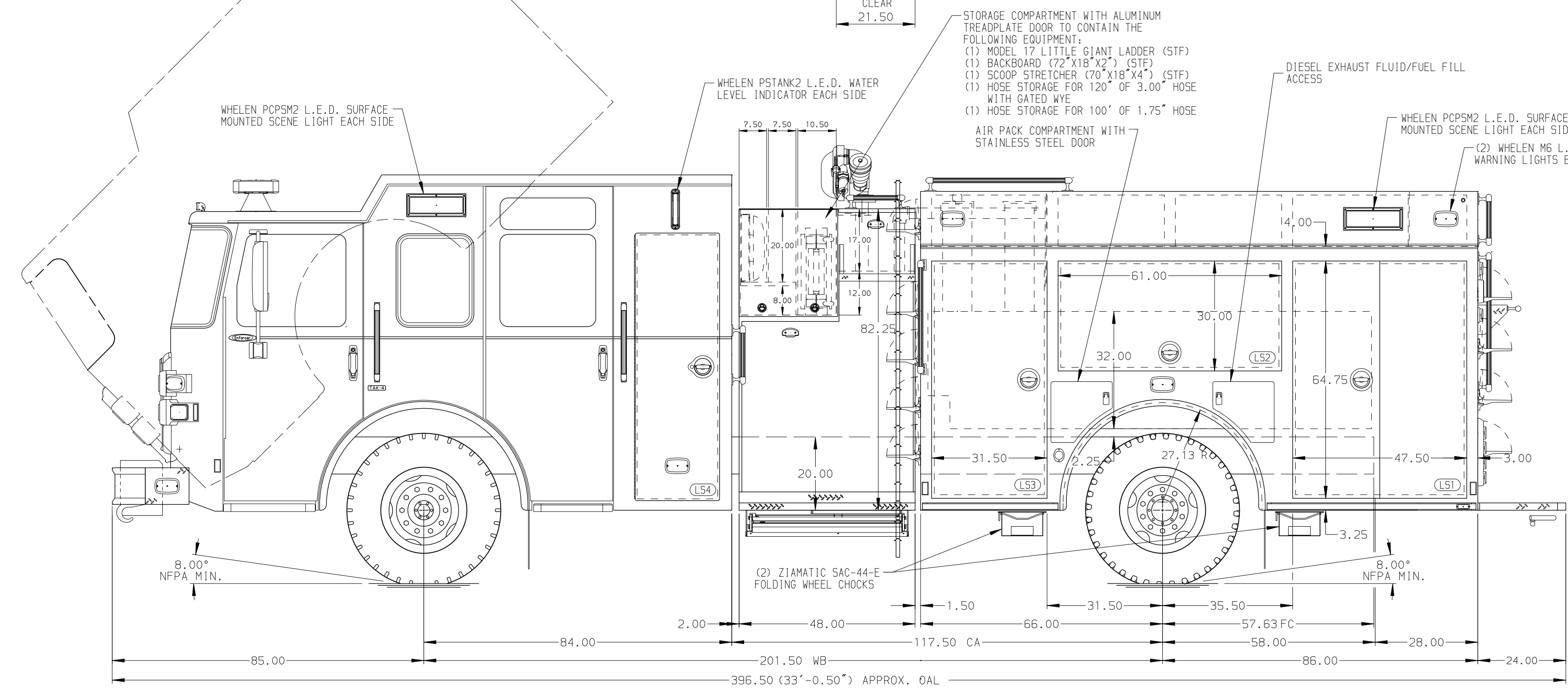


- HOSEBED CAPACITIES**
- ① 200' OF 1.75" D.J. POLY HOSE (PRECONNECTED)
 - ② 200' OF 2.50" D.J. POLY HOSE (PRECONNECTED)
 - ③ 600' OF 5.00" D.J. POLY HOSE
 - ④ 200' OF 2.50" D.J. POLY HOSE (PRECONNECTED)
 - ⑤ 100' OF 1.75" D.J. POLY HOSE
 - ⑥ 200' OF 1.75" D.J. POLY HOSE (PRECONNECTED)
 - ⑦ 600' OF 2.50" D.J. POLY HOSE



ALUMINUM BODY SIDE ROLL AND FRONTAL IMPACT PROTECTION

NOTE
 DIMENSIONS SHOWN ARE APPROXIMATE AND ARE SUBJECT TO MINOR DEVIATIONS AS MAY OCCUR OR BE NECESSARY IN CONSTRUCTION. MINOR DETAILS NOT SHOWN.

- 1. ONSPOT TIRE CHAINS PROVIDED AT THE REAR
- 2. AIR INLET WITH DISCONNECT FITTING LOCATED IN DRIVER SIDE STEP WELL
- 3. BATTERY CHARGER LOCATED BEHIND DRIVER SEAT
- 4. BATTERY CHARGER INDICATOR LOCATED ON DRIVER SIDE SEAT RISER
- 5. 120V SHORELINE RECEPTACLE LOCATED IN DRIVER SIDE STEP WELL
- 6. PULL STRAPS FOR DOORS IN COMPARTMENT-LS2,RS2,CROSSSLAY COMPARTMENT EACH SIDE
- 7. ONE FULL WIDTH/DEPTH ADJUSTABLE SHELF WITH SIDES IN COMPARTMENT-LS2,TWO IN LS1,LS3,RS1,RS3
- 8. ONE FLOOR MOUNTED SLIDE-OUT TRAY WITH SIDES IN COMPARTMENT-LS1,LS3,RS1
- 9. ONE MOUNTING PLATE IN COMPARTMENT-RS2
- 10. PARTITION BETWEEN COMPARTMENTS LS1/B1 AND RS1/B1
- 11. ONE 120V DUPLEX RECEPTACLE IN CAB
- 12. ONE 120V DUPLEX RECEPTACLE IN COMPARTMENT-B1
- 13. L.E.D. LIGHT STRIPS WALKING SURFACE LIGHTING LOCATED IN THE CARGO AREA

		JOB NO.	34997-01-02
		SCALE	DATE
		TITLE	1500-D-500P W/40 GAL. FOAM CELL,DELUGE,HUSKY 3 152" PUMPER BODY,LADDERS BETWEEN TANK AND BODY
		FOR	LONGMONT FIRE DEPARTMENT LONGMONT, CO
		DWG NO.	34997AD
		DRAWN BY	BST 25MAR20
		CHECKED BY	KOU 26MAR20
		SHEET SIZE	SHEET NO.
		D	1 OF 1

REV	DATE	BY	CH	ENFORCER
09JUL20	BKB	GKH		
02JUN20	BST	GKH		